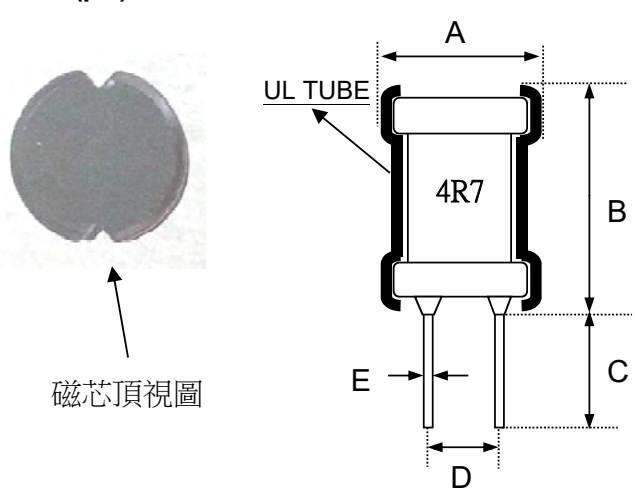


## SPECIFICATION FOR APPROVAL

CUSTOMER		CUST P/N.	
ITEM	Radial Choke Inductor	Description	RL0810N-4R7M
PART NO.	303-57448	DATE	2016.9.29

<p>(1) DIMENSION (μH)</p>  <p style="text-align: center;">磁芯頂視圖</p>		A	10.5 (Max)	mm
		B	13.0 (Max)	mm
		C	3.5 ± 0.5	mm
		D	5.0 ± 0.5	mm
		E	∅0.65 ± 0.1	mm
		F		mm
		G		mm
		H		mm

(2) ELECTRICAL REQUIREMENTS				
TEST CONDITION	TEST VALUE	FREQUENCY	(3) TEST INSTRUMENTS	
			VOLTAGE	LCR-METER:
L	4.7uH±20%	1KHz	0.25V	HP-4291A
DCR	21.0mΩ (Max)	KHz	V	WK3260B
IDC	3A (Max)	1KHz	0.25V	DC RESISTANCE METER:
L <sub>IDC</sub>	drop 10% typ	KHz	V	V WK3260B
		MHz	V	CURRENT SOURCE:
				V WK3260B
				RFIMPEDANCE/MATERIAL ANALYZER
				V TH2816B+1320
				GW PUNCTURE INSULATION TESTER

(4) TURNS: 11Ts(REF)

(5) MATERIAL LIST				
ITEM	MATERIAL	DESCRIPTION	Supplier of the material	UL
1	CORE	SR60 DR8×10 <sup>F50</sup>	SUNRISE	
2	WIRE	∅0.50mm(2UEW)130°C (TYPU-130)	HENG YA	E197768
3	TUBE	UL ∅8×12 mm 印"4R7"(RSFR-H)	WOER	E203950
4				

REMARK:	APPROVED	CHECKED	DRAWN BY
	姜杰文	姜法寶	王艷