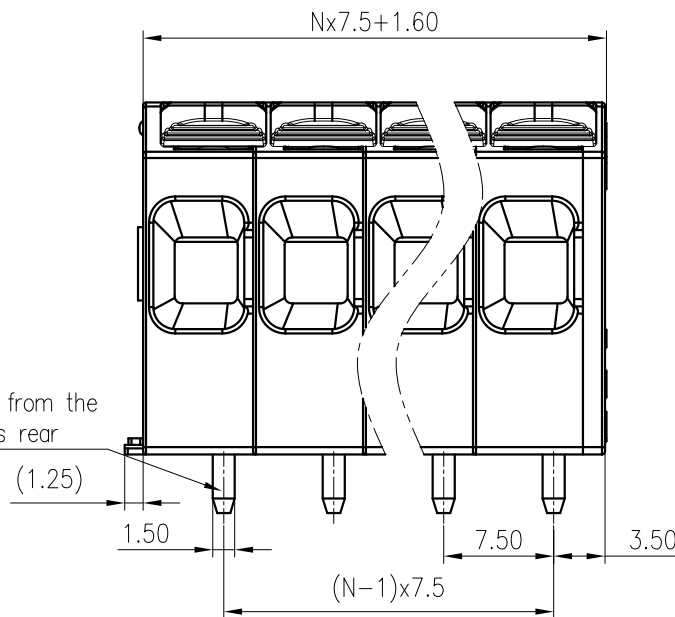
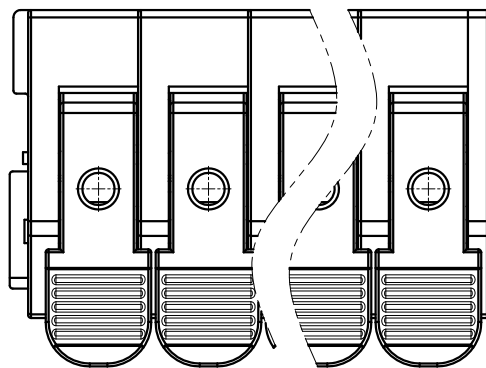
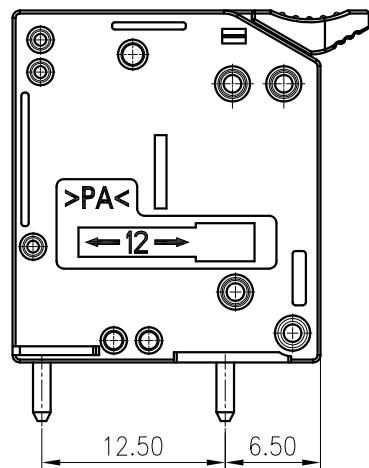
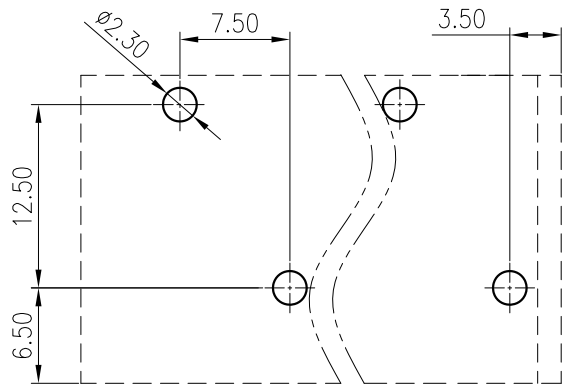
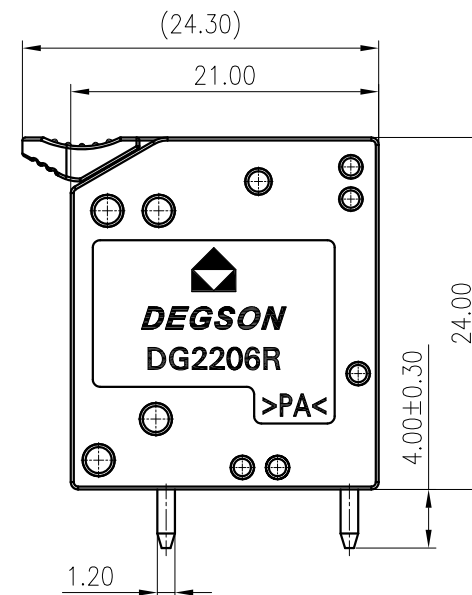
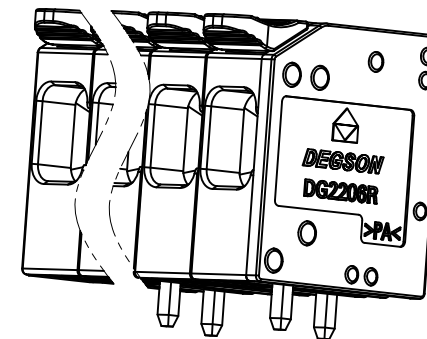


PCB LAYOUT



The first foot from the left side is rear

未注公差/General tolerances(mm)											0.1/10	
0	>3	>6	>10	>18	>30	>50	>80	>120	>180	>250		
~3	~6	~10	~18	~30	~50	~80	~120	~180	~250	~315	>400	±2'
±0.12	±0.18	±0.22	±0.26	±0.31	±0.37	±0.57	±0.80	±0.93	±1.05	±1.15	±1.60	



JL 标准/UL Standard:	B	C	D
额定电压/电流/Rated Voltage(V)/Current(A)	600/31	600/31	/
EC 标准/IEC Standard:			
过压类别/Overvoltage Category/污染等级/Pollution Degree	III/3	III/2	II/2
额定电压/电流/Rated Voltage(V)/Current(A)	800/41	1000/41	1000/41
额定脉冲电压(KV)/Rate Impulse Voltage(KV)	8	8	8
线径范围(硬线和软线)/Wire Range(rigid and flexible)(mm <sup>2</sup> /AWG)	24~8/0.2~6,10(sol)		
间距/Pitch(mm)/线数范围/Poles	7.5/N=02~12P		
剥线长度/Stripping length(mm)	11~13		
使用温度范围/Operating temperature(°C)	-40~+105		
符合RoHS环保要求/Conform to RoHS	Yes		

MATERIAL:	/	SURFACE:	/
MAT NO.:		宁波高松电子有限公司 NINGBO DEGSON ELECTRICAL CO., LTD	
STATUS:	/	NAME: DG2206R-7.5-DB-XXP-1Y-00A(H)	
APPD: Lan ChH 2021.01.05		DRAWING NO.: 10001089	
CHKD: Yu JZh 2021.01.05		REV	TO
DRFT: Liu ZhH 2020.01.02		TYPE: CUSTOMER DRAWING	SCALE: 2:1
SIZE: A4	mm (inch)	SHEET	1/1

Transfer or duplication of this document or communication of its contents are prohibited unless explicit authorization is granted. Violations will be liable for compensation. All rights reserved for patent, utility, model or designs registrations. 除非给予明确授权, 否则禁止转让、复制、利用、交易本文件的内容。侵权者将承担法律责任。 侵权者将承担法律责任。 侵权者将承担法律责任。