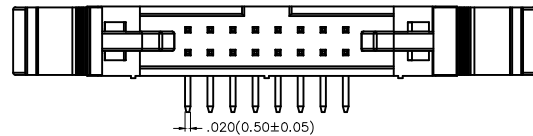
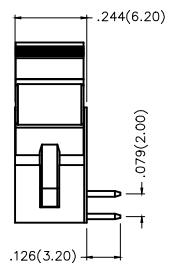
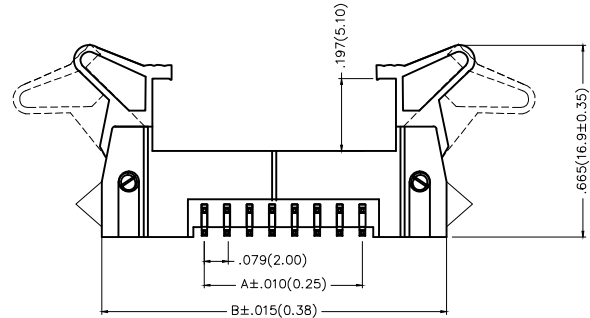


REV	LOCATIONS	DESCRIPTION	DATE	REVISED	APPD



Electrical  
 Current Rating: 2.0A AC(rms)/DC  
 Voltage Rating: 250V AC(rms)/DC  
 Contact Resistance: 20 mΩ Max  
 Insulation Resistance: 1000 MΩ MIN  
 Withstanding Voltage: 500V AC r.m.s  
 Temperature Range-Operating: -40°C~+105°C

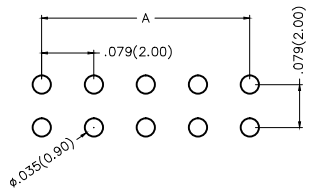
Material and Plating  
 Housing: Polyester (UL94V-0)  
 Contact Pin: Brass  
 Plating: Gold Plated/Selective gold in contact area, tin on tail



### Ordering Information


FBH 200 05 — D XX B X XX 4 K6 K  
 1 2 3 4 5 6 7 8 9 10 11

1 Category FBH-Box Header	2 Series Number 200-Pitch 2.00mm	3 Distinction No. 05	4 Row Option D-Double Row	5 Circuits XX	6 Entry Angle B-90° Angle
7 Plating 1-Gold Plated 3-Selective gold in contact area, tin on tail	8 Thickness of Plating 00-Gold Flash 05-5μ" Custom plate available	9 Material-Resin 4-PA9T	10 Color-Resin K6-Black	11 Packaging K-Tray	



Recommended P.C.Board Layout

Circuits (n)	Part No.	Dimensions(in/mm)		Circuits (n)	Part No.	Dimensions(in/mm)	
		A	B			A	B
10	FBH20005-D10BXXX4K6K	.315(8.00)	.673(26.00)	30	FBH20005-D30BXXX4K6K	1.102(28.00)	1.811(46.00)
12	FBH20005-D12BXXX4K6K	.394(10.00)	1.102(28.00)	34	FBH20005-D34BXXX4K6K	1.260(32.00)	1.969(50.00)
14	FBH20005-D14BXXX4K6K	.472(12.00)	1.181(30.00)	40	FBH20005-D40BXXX4K6K	1.496(38.00)	2.205(56.00)
16	FBH20005-D16BXXX4K6K	.551(14.00)	1.260(32.00)	44	FBH20005-D44BXXX4K6K	1.654(42.00)	2.362(60.00)
20	FBH20005-D20BXXX4K6K	.709(18.00)	1.417(36.00)	50	FBH20005-D50BXXX4K6K	1.890(48.00)	2.598(66.00)
24	FBH20005-D24BXXX4K6K	.866(22.00)	1.575(40.00)	60	FBH20005-D60BXXX4K6K	2.283(58.00)	2.992(76.00)
26	FBH20005-D26BXXX4K6K	.944(24.00)	1.653(42.00)				

THIRD ANGLE PROJECTION	GENERAL TOLERANCES (UNLESS SPECIFIED)		APPROVE BY FRANK	DATE 29/AUG/13	PART NO. FBH20005-DXXBXXX4K6K	ITEM NO. FBH20005	 Leader Of Industry
	DESIGN UNITS Inch (metric)	X.±.012(0.30) X.X±.008(0.20) X.XX±.006(0.15) X.XXX±.004(0.10)	X.±5' .X'±2' .XX'±1' .XXX'±0.5'	CHECKED BY CHERRY	DATE 29/AUG/13	TITLE Wire to Board(Box Header) Pitch 2.00mm 90° Angle(DIP)	
SCALE 5:1	SIZE A4		DRAWN BY JACOB	DATE 29/AUG/13	THIS DRAWING CONTAINS INFORMATION THAT IS PROPRIETARY TO TXGA INDUSTRIAL ELECTRONICS(S.Z)CO.,LTD AND SHOULD NOT BE USED WITHOUT WRITTEN PERMISSION		REV 0 SHEET NO. 1/1