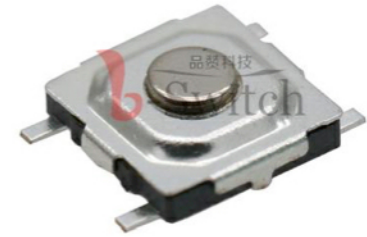


REFERENCE DRAWING



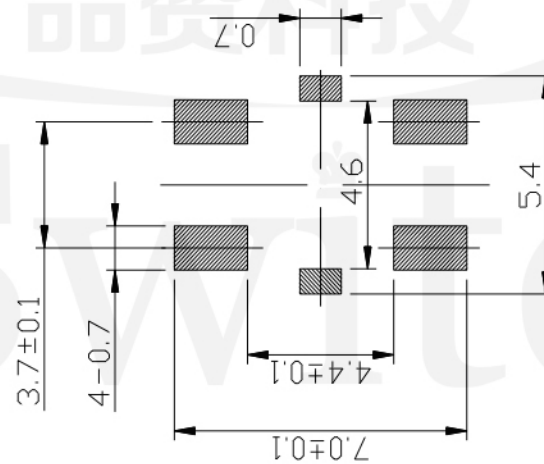
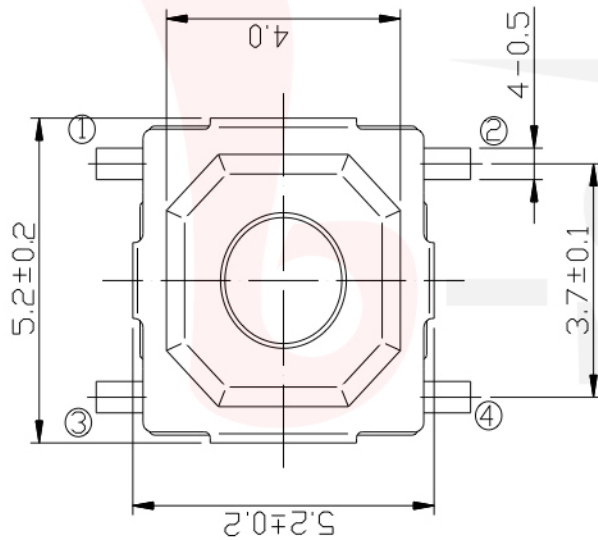
GT-TCA84X-HXXX-LX

G-SWITCH

Operating Force
 A=160gf
 B=250gf
 C=100gf
 E=130gf

Switch Height (mm)
 H015=1.5 H016=1.6
 H017=1.7 H020=2.0
 H025=2.5 H030=3.0
 H035=3.5 H040=4.0
 H045=4.5 H050=5.0

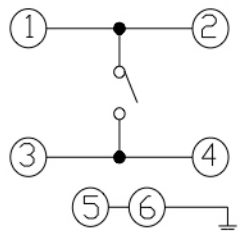
Switch lifetime (Force)
 L1=100,000 Cycles
 L3=300,000 Cycles
 L5=500,000 Cycles
 L10=1,000,000 Cycles



P.C.B LAND DIMENSION

G-Switch Specification:

Operating temperature range : -30°C to +85°C
 Rating : 50mA, 12V DC
 Insulation resistance : 100MΩ min. 100V DC
 Dielectric strength : 250V AC for 1 min
 Contact resistance : 100mΩ max.
 Travel: 0.25±0.1mm



CIRCUIT DIAGRAM



	G-Switch Electronic (HongKong) CO.,Ltd		
	DESIGN 陈锋枫 CHECKED APPROVED http://www.dg-switch.com TEL:0769-82388879	DATE 2019.05.29 DATE DATE http://www.dg-switch.com	Molde code: GT-TCA84X-HXXX-LX REV.: X1 SCALE: 4:1 SHEET: 1/1
Unless otherwise specified, Tolerance: X. ±0.30 X.x ±0.20 X.xx ±0.15 X.xxx ±0.10 Angles ±3°	UNIT: mm 		