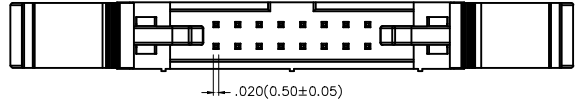
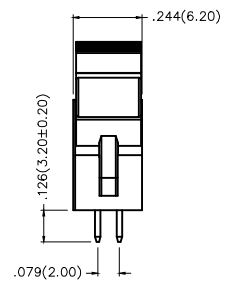
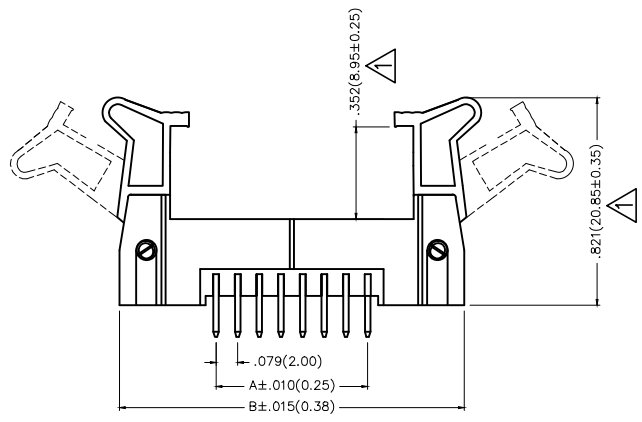


REV	LOCATIONS	DESCRIPTION	DATE	REVISER	APPD
1	△	Dimensions change	07/MAY/19	KATE	FRANK



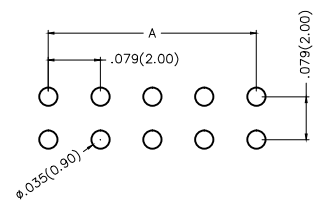
Electrical
 Current Rating: 2.0A AC(rms)/DC
 Voltage Rating: 250V AC(rms)/DC
 Contact Resistance: 20 mΩ Max
 Insulation Resistance: 1000 MΩ MIN
 Withstanding Voltage: 500V AC r.m.s
 Temperature Range—Operating: -40°C~+105°C
 Material and Plating
 Housing: Polyester (UL94V-0)
 Contact Pin: Brass
 Plating: Gold Plated/Selective gold in contact area, tin on tail



Ordering Information

FBH 200 07 — D XX S X XX 4 K6 K
 1 2 3 4 5 6 7 8 9 10 11

1	Category	2	Series Number	3	Distinction No.	4	Row Option	5	Circuits	6	Entry Angle
	FBH—Box Header		200—Pitch 2.00mm		07		D—Double Row		XX		S—180° Vertical
7	Plating	8	Thickness of Plating	9	Material—Resin	10	Color—Resin	11	Packaging		
	1—Gold Plated 3—Selective gold in contact area, tin on tail		00—Gold Plated 05—5μ" Custom plate available		4—PA9T		K6—Black		K—Tray		



Recommended P.C.Board Layout

Circuits (n)	Part No.	Dimensions(in/mm)		Circuits (n)	Part No.	Dimensions(in/mm)	
		A	B			A	B
10	FBH20007-D10SXXX4K6K	.315(8.00)	.673(26.00)	30	FBH20007-D30SXXX4K6K	1.102(28.00)	1.811(46.00)
12	FBH20007-D12SXXX4K6K	.393(10.00)	1.102(28.00)	34	FBH20007-D34SXXX4K6K	1.260(32.00)	1.969(50.00)
14	FBH20007-D14SXXX4K6K	.472(12.00)	1.181(30.00)	40	FBH20007-D40SXXX4K6K	1.496(38.00)	2.205(56.00)
16	FBH20007-D16SXXX4K6K	.551(14.00)	1.260(32.00)	44	FBH20007-D44SXXX4K6K	1.654(42.00)	2.362(60.00)
20	FBH20007-D20SXXX4K6K	.709(18.00)	1.417(36.00)	50	FBH20007-D50SXXX4K6K	1.890(48.00)	2.598(66.00)
24	FBH20007-D24SXXX4K6K	.866(22.00)	1.575(40.00)	60	FBH20007-D60SXXX4K6K	2.283(58.00)	2.992(76.00)
26	FBH20007-D26SXXX4K6K	.944(24.00)	1.653(42.00)				

<p>THIRD ANGLE PROJECTION</p>	GENERAL TOLERANCES (UNLESS SPECIFIED)		APPROVE BY	DATE	PART NO.	ITEM NO.	<p>Leader Of Industry</p>
	X.±.012(0.30)	X.±5'	FRANK	29/AUG/13			
DESIGN UNITS	X.X±.008(0.20)	.X'±2'	CHECKED BY	DATE	TITLE		
Inch (metric)	X.XX±.006(0.15)	.XX'±1'	CHERRY	29/AUG/13	Wire to Board(Box Header) Pitch 2.00mm Vertical 180°(DIP)		
SCALE	X.XXX±.004(0.10)	.XXX'±0.5'	DRAWN BY	DATE	REV 1 SHEET NO. 1/1		
5:1			JACOB	29/AUG/13	THIS DRAWING CONTAINS INFORMATION THAT IS PROPRIETARY TO TXGA INDUSTRIAL ELECTRONICS(S.Z)CO.,LTD AND SHOULD NOT BE USED WITHOUT WRITTEN PERMISSION		