

## S4T系列

### ● Feature 特性

- ◆ 电阻焊接 Resistance weiding
- ◆ 低功耗 Low power
- ◆ 高可靠性 High stability
- ◆ 频率范围宽 Wide frequency range
- ◆ 表面装贴 回流焊 IR R-flow



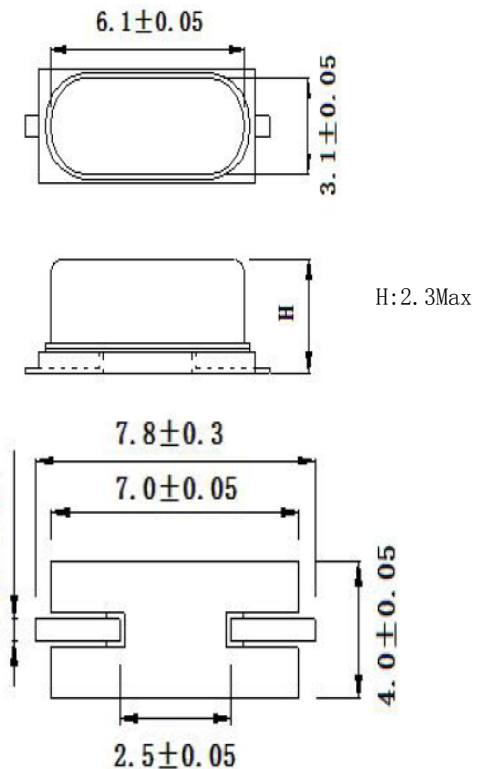
### ● Electrical specifications 电气参数

型号	Holder Type	S4T SMD7*4
频率范围	Frequency Tolernanc (ΔF) at25°C	8MHz~30MHz (Fund)
温度频差	Frequency rift	±10ppm~±20ppm
工作温度范围	Operating Temperature Range	-20°C~+70°C to -40°C~+85°C
储存温度范围	Storage Temperature Range	-20°C~+60°C to -55°C~+125°C
老化	Aging 25°C	±3ppm/year Maximum
静电容	Shunt Capacitance (C0)	7pf Maxmum
激励功率	Drive Level	10uw~50uw Typical
绝缘阻抗	Insulaton Resistance	500Mohms at DC 100V
负载电容	Load Capacitance (CL)	Suggested by customer

Ph Free

RoHS Compliant  
Directive 2002/95/EC

### ● Mechanical Dimensions 外型尺寸

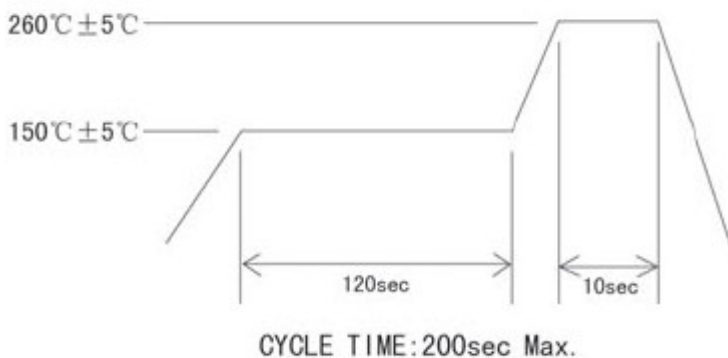


### ● Equivalent Series Resistance and Mode of Operation

#### 等效电阻和振荡模式

Frequency Range 频率范围	ESR (ohm) 等效阻抗	Mode 振荡模式
8.000-25.000 MHz	100Max	Fundamental
25.000-30.000 MHz	80Max	Fundamental

### ● Reflow condition 回流焊条件



### ● Frequency VS. Temperature Curne

