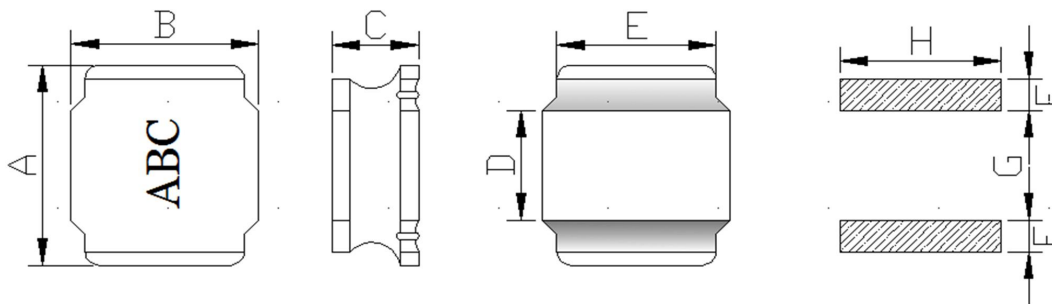


文件编号 File Number	SRD-WI-3634	版本号 Version Number	A	页码 page	1/3
---------------------	-------------	-----------------------	---	------------	-----

1、外形尺寸 Dimension :

单位Unit: mm



A	5.00±0.2
B	5.00±0.2
C	4.0 Max
D	2.2±0.3
E	4.0 Ref
F	1.6 Ref
G	2.0 Ref
H	4.7 Ref

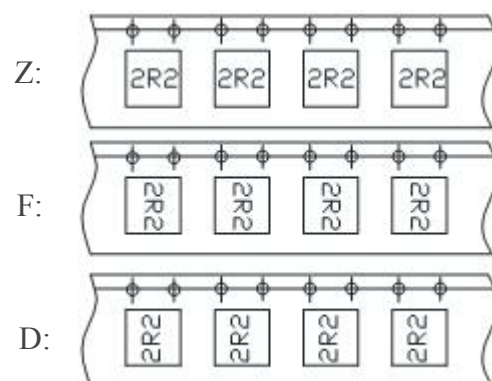
2、产品品名构成 Product Spec. Model

SR 5040T Y D - 2R2 N

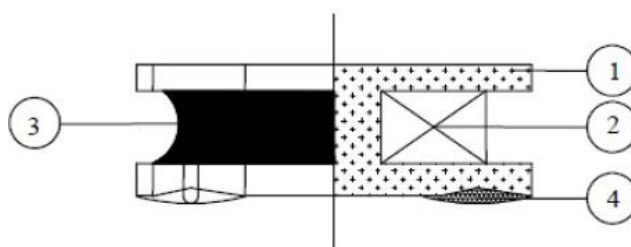
a b c d e f

- a: 系列名称 Series name
- b: 产品尺寸 Product dimensions (A x B x C)
- c: 密封方式 Sealing way (L: 冷封 Cold seal Y: 热封 Heat seal)
- d: 印字方向 Lettering direction ▶
- e: 电感值 Inductance Value
(1R0:1.0uH; 100: 10uH; 101:100uH)
- f: 电感公差 Inductance Tolerance (K:10% ; M:20% ; N:30%)

▶ Lettering direction



3、结构 Structure



4、材料清单 MATERIAL LIST

NO.	PARTS	MATERIAL	UL FILE NO.	TEMP. CLASS
1	CORE	Ni-Zn CORE OR EQUIVALENT	NA	NA
2	WIRE	POLYURETHANE ENAMELLED COPPER WIRE OR EQUIVALENT	E258243	180°C
3	ADHESIVE	EPOXY RESIN OR EQUIVALENT	NA	NA
4	SOLDER	Sn99.3-Cu0.7 OR EQUIVALENT	NA	NA

*NA:NOT APPLICABLE.

文件编号 File Number	SRD-WI-3634	版本号 Version Number	A	页码 page	2/3
---------------------	-------------	-----------------------	---	------------	-----

5、电性能参数表 Electrical Characteristics List

规格型号 Part NO.	电感量 Tolerance(μ H)	测试频率 Test Freq. (kHz/v)	直流电阻 DC Max (Ω)	饱和电流 Isat (A)	温升电流 Irms (A)
SNR.5040.TYD1R0NT00	1.0	100/0.25	0.016	7.35	4.90
SNR.5040.TYD1R2NT00	1.2	100/0.25	0.021	6.50	4.15
SNR.5040.TYD1R5NT00	1.5	100/0.25	0.020	6.30	4.30
SNR.5040.TYD2R2NT00	2.2	100/0.25	0.025	4.90	3.80
SNR.5040.TYD2R7MT00	2.7	100/0.25	0.029	4.30	3.60
SNR.5040.TYD3R3MT00	3.3	100/0.25	0.031	3.95	3.40
SNR.5040.TYD3R9MT00	3.9	100/0.25	0.035	3.55	3.20
SNR.5040.TYD4R7MT00	4.7	100/0.25	0.039	3.50	3.00
SNR.5040.TYD5R6MT00	5.6	100/0.25	0.046	3.00	2.80
SNR.5040.TYD6R8MT00	6.8	100/0.25	0.056	2.90	2.50
SNR.5040.TYD8R2MT00	8.2	100/0.25	0.062	2.70	2.30
SNR.5040.TYD100MT00	10	100/0.25	0.083	2.35	2.10
SNR.5040.TYD150MT00	15	100/0.25	0.112	2.00	2.00
SNR.5040.TYD220MT00	22	100/0.25	0.168	1.60	1.50
SNR.5040.TYD330MT00	33	100/0.25	0.244	1.30	1.20
SNR.5040.TYD470MT00	47	100/0.25	0.354	1.10	1.00
SNR.5040.TYD560MT00	56	100/0.25	0.494	1.00	0.80
SNR.5040.TYD680MT00	68	100/0.25	0.520	0.90	0.80
SNR.5040.TYD101MT00	100	100/0.25	0.728	0.75	0.70
SNR.5040.TYD151MT00	150	100/0.25	0.975	0.65	0.60
SNR.5040.TYD181MT00	180	100/0.25	1.610	0.60	0.50
SNR.5040.TYD201MT00	200	100/0.25	1.790	0.55	0.45
SNR.5040.TYD221MT00	220	100/0.25	1.820	0.48	0.40
SNR.5040.TYD331MT00	330	100/0.25	2.730	0.42	0.40
SNR.5040.TYD471MT00	470	100/0.25	3.900	0.37	0.35
SNR.5040.TYD561MT00	560	100/0.25	4.920	0.31	0.31
SNR.5040.TYD102MT00	1000	100/0.25	7.800	0.21	0.20
SNR.5040.TYD152MT00	1500	100/0.25	13.300	0.20	0.16

※公差Tolerance: N:±30%、M:±20%、K:±10%.

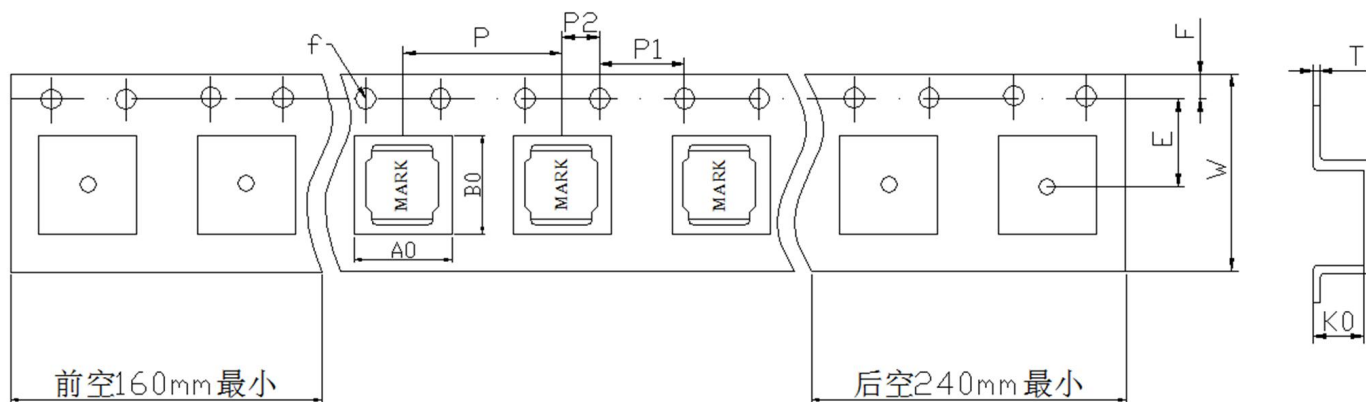
※工作温度Operating temperature rang: -40 °C to +125°C (Including Self-heating)

※储存温度Storage temperature rang: -40 °C to +125°C

额定电流: 指使电感量比初始值下降30%或电感器表面温度上升 40°C 的电流值 (参考周围环境温度 25°C)。
The rated DC current is that which cause at 30% inductance reduction from the initial value or inductor surface temperature to rise by 40°C, whichever is smaller (Reference ambient temperature 25°C)。

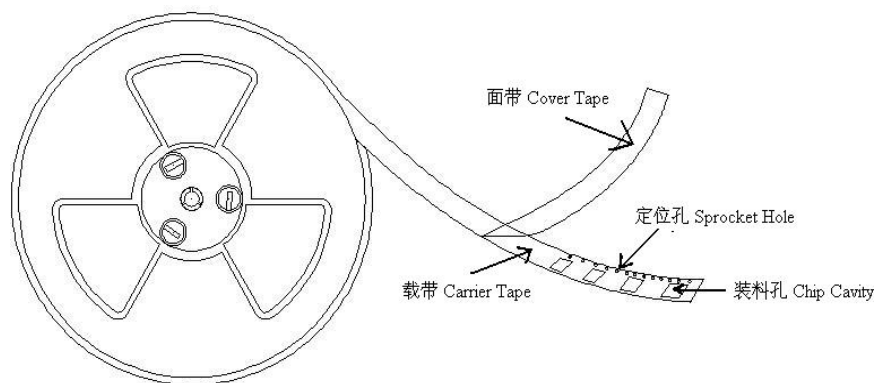
6、产品包装 Packaging

1) 载带包装示意图 Tape packing diagram



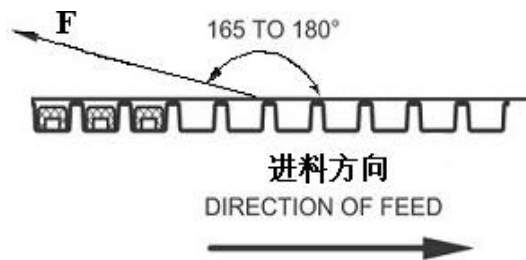
ITEM	W	A0	B0	K0	P	E	F	D0	P0	P2	T
DIM	12.00	5.30	5.30	4.20	8.00	5.50	1.75	1.50	4.00	2.00	0.30
TOLE	±0.3	±0.1	±0.1	±0.1	±0.1	±0.1	±0.1	+0.1	±0.1	±0.1	±0.05

2) 卷盘包装示意图 Tape packing diagram



3) 剥离强度要求 Peeling required

- ① F 力大小: 20~100g;
- ② 面带剥离角度: 165°~180°。



4) 包装数量 Packing quantity

项目	数量 (PCS)	尺寸规格 (mm)
盘	1500	13"
内盒	6000	340mm*340mm*65mm
外箱	12000	360mm*360mm*160mm