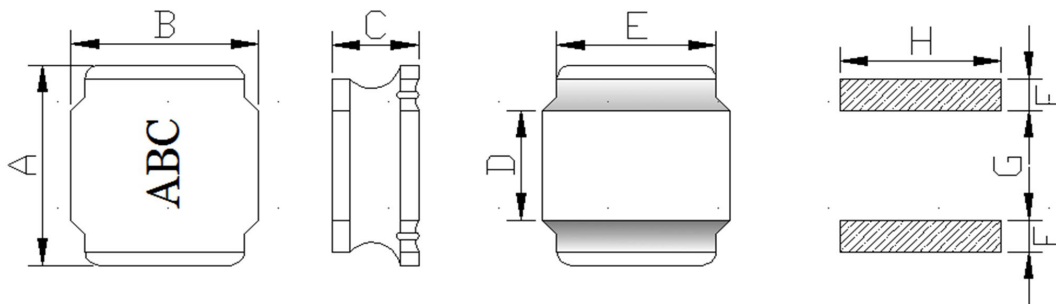


文件编号 File Number	SRD-WI-3633	版本号 Version Number	A	页码 page	1/3
---------------------	-------------	-----------------------	---	------------	-----

1、外形尺寸 Dimension :

单位Unit: mm



A	5.00±0.2
B	5.00±0.2
C	2.0 Max
D	2.5±0.3
E	4.0 Ref
F	1.3 Ref
G	2.3 Ref
H	4.7 Ref

2、产品品名构成 Product Spec. Model

SR 5020T Y D - 2R2 N

a b c d e f

a: 系列名称 Series name

b: 产品尺寸 Product dimensions (A x B x C)

c: 密封方式 Sealing way (L: 冷封 Cold seal Y: 热封 Heat seal)

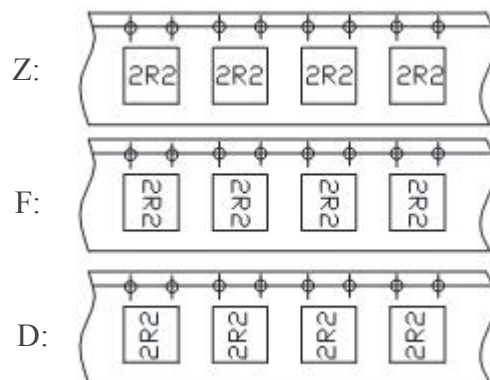
d: 印字方向 Lettering direction ▶

e: 电感值 Inductance Value

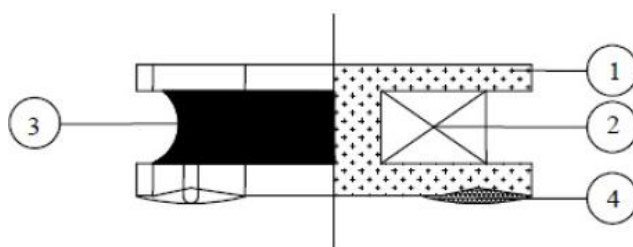
(1R0:1.0uH; 100: 10uH; 101:100uH)

f: 电感公差 Inductance Tolerance (K:10% ; M:20% ; N:30%)

▶ Lettering direction



3、结构 Structure



4、材料清单 MATERIAL LIST

NO.	PARTS	MATERIAL	UL FILE NO.	TEMP. CLASS
1	CORE	Ni-Zn CORE OR EQUIVALENT	NA	NA
2	WIRE	POLYURETHANE ENAMELLED COPPER WIRE OR EQUIVALENT	E258243	180°C
3	ADHESIVE	EPOXY RESIN OR EQUIVALENT	NA	NA
4	SOLDER	Sn99.3-Cu0.7 OR EQUIVALENT	NA	NA

*NA:NOT APPLICABLE.

文件编号 File Number	SRD-WI-3633	版本号 Version Number	A	页码 page	2/3
---------------------	-------------	-----------------------	---	------------	-----

5、电性能参数表 Electrical Characteristics List

规格型号 Part NO.	电感量 Tolerance(μ H)	测试频率 Test Freq. (kHz/v)	直流电阻 DC Max (Ω)	饱和电流 Isat (A)	温升电流 Irms (A)
SNR.5020.TYDR22NT00	0.22	100/0.25	0.017	9.00	5.30
SNR.5020.TYDR24NT00	0.24	100/0.25	0.017	8.00	5.30
SNR.5020.TYDR47NT00	0.47	100/0.25	0.017	6.50	4.60
SNR.5020.TYDR56NT00	0.56	100/0.25	0.022	6.50	3.80
SNR.5020.TYDR68NT00	0.68	100/0.25	0.022	5.50	4.00
SNR.5020.TYD1R0NT00	1.0	100/0.25	0.026	4.10	3.80
SNR.5020.TYD1R5NT00	1.5	100/0.25	0.034	4.10	3.20
SNR.5020.TYD2R2NT00	2.2	100/0.25	0.042	3.20	2.90
SNR.5020.TYD3R3MT00	3.3	100/0.25	0.056	2.55	2.50
SNR.5020.TYD4R7MT00	4.7	100/0.25	0.074	2.50	2.20
SNR.5020.TYD5R6MT00	5.6	100/0.25	0.083	2.30	2.05
SNR.5020.TYD6R8MT00	6.8	100/0.25	0.108	2.05	1.80
SNR.5020.TYD8R2MT00	8.2	100/0.25	0.127	1.85	1.65
SNR.5020.TYD100MT00	10	100/0.25	0.143	1.70	1.55
SNR.5020.TYD150MT00	15	100/0.25	0.215	1.35	1.25
SNR.5020.TYD220MT00	22	100/0.25	0.294	1.15	1.10
SNR.5020.TYD270MT00	27	100/0.25	0.380	1.00	0.95
SNR.5020.TYD330MT00	33	100/0.25	0.507	0.92	0.90
SNR.5020.TYD470MT00	47	100/0.25	0.680	0.77	0.77
SNR.5020.TYD680MT00	68	100/0.25	0.962	0.65	0.64
SNR.5020.TYD101MT00	100	100/0.25	1.430	0.53	0.53
SNR.5020.TYD151MT00	150	100/0.25	1.850	0.40	0.45
SNR.5020.TYD201MT00	200	100/0.25	2.600	0.35	0.40
SNR.5020.TYD221MT00	220	100/0.25	3.470	0.33	0.26
SNR.5020.TYD471MT00	470	100/0.25	5.570	0.27	0.13
SNR.5020.TYD122MT00	1200	100/0.25	13.800	0.13	0.06

※公差Tolerance: N:±30%、M:±20%、K:±10%.

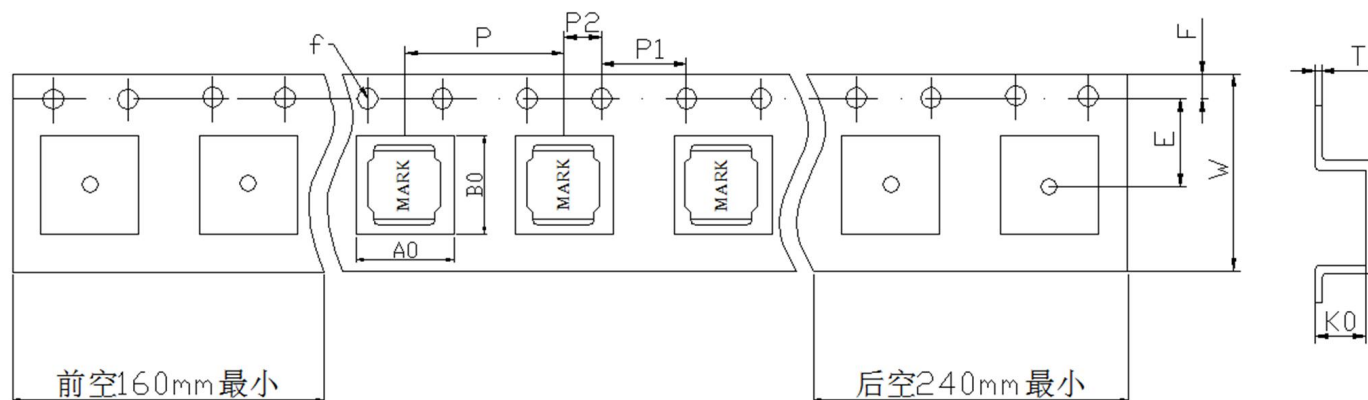
※工作温度Operating temperature rang: -40 °C to +125°C (Including Self-heating)

※储存温度Storage temperature rang: -40 °C to +125°C

额定电流: 指使电感量比初始值下降30%或电感器表面温度上升 40°C 的电流值 (参考周围环境温度 25°C)。
The rated DC current is that which cause at 30% inductance reduction from the initial value or inductor surface temperature to rise by 40°C, whichever is smaller (Reference ambient temperature 25°C)。

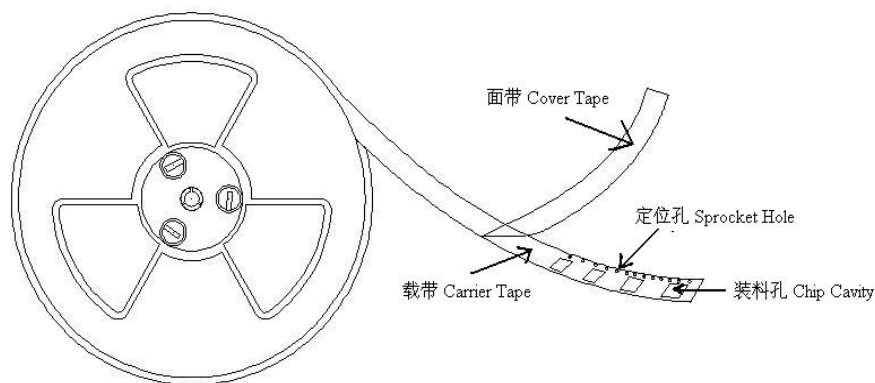
6、产品包装 Packaging

1) 载带包装示意图 Tape packing diagram



ITEM	W	A0	B0	K0	P	E	F	D0	P0	P2	T
DIM	12.00	5.30	5.30	2.20	8.00	5.50	1.75	1.50	4.00	2.00	0.30
TOLE	±0.3	±0.1	±0.1	±0.1	±0.1	±0.1	±0.1	+0.1	±0.1	±0.1	±0.05

2) 卷盘包装示意图 Tape packing diagram



3) 剥离强度要求 Peeling required

- ① F 力大小: 20~100g;
- ② 面带剥离角度: 165°~180°。



4) 包装数量 Packing quantity

项目	数量 (PCS)	尺寸规格 (mm)
盘	3000	13"
内盒	12000	340mm*340mm*65mm
外箱	24000	360mm*360mm*160mm