

SOREDE

索 瑞 達 電 子

深圳市索瑞达电子有限公司

承 认 书

SPECIFICATION FOR APPROVAL

客户名称: 标准
Customer Name : _____

客户料号:
Customer P/N: _____

产品名称: 功率电感
Product Name: _____

索瑞达料号:
Sorede P/N: SNR5012-系列

| 制造厂商 Manufacturer | |
|----------------------|--------------|
| 拟制 Draft | 黄小香 |
| 审核 Check | 符妃团 工程专用章 |
| 日期 Date | 2020-05-21 |

| 客户承认印章 Approval Signet | |
|---------------------------|--|
| 日期 Date | |

地址: 深圳市观澜镇福城街道新塘村8号源创园陆号A6栋3楼.

Address: 3Rd Floor, Building A6, Yuanchuangyuanlu, No. 8 Xintang Village, Fucheng Street, Guanlan Town, Shenzhen.

电话 Tel: 0755-29803356 传真 Fax: 0755-29803506

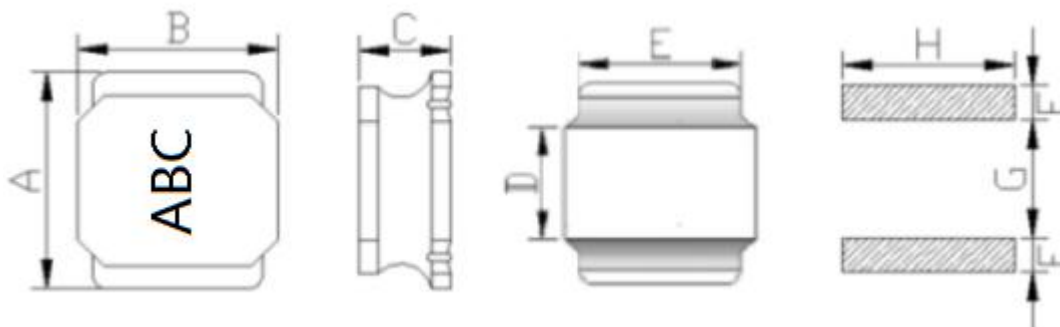
电子邮件 E-mail: sorde@vip.163.com

网址 [http:// www.szsorede.com](http://www.szsorede.com)

| | | | | | |
|---------------------|--------------|-----------------------|---|------------|-----|
| 文件编号 File Number | SRD-WI-11182 | 版本号 Version Number | A | 页码 page | 1/3 |
|---------------------|--------------|-----------------------|---|------------|-----|

1、外形尺寸 Dimension :

单位Unit: mm



| | |
|---|----------|
| A | 5.00±0.2 |
| B | 5.00±0.2 |
| C | 1.20 Max |
| D | 2.5±0.3 |
| E | 4.0 Ref |
| F | 1.3 Ref |
| G | 2.3 Ref |
| H | 4.7 Ref |

2、产品品名构成 Product Spec. Model

SR 5012T Y D - 2R2 M

a b c d e f

a: 系列名称 Series name

b: 产品尺寸 Product dimensions (A x B x C)

c: 密封方式 Sealing way (L: 冷封 Cold seal Y: 热封 Heat seal)

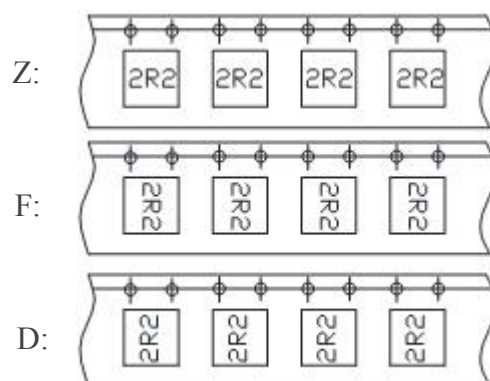
d: 印字方向 Lettering direction ▶

e: 电感值 Inductance Value

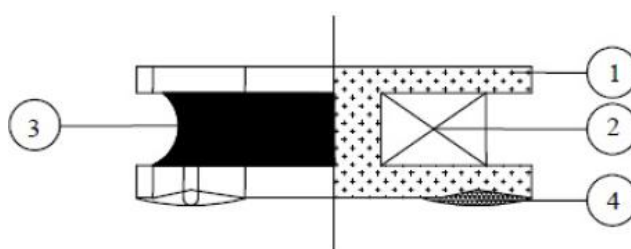
(1R0:1.0uH; 100: 10uH; 101:100uH)

f: 电感公差 Inductance Tolerance (K:10% ; M:20% ; N:30%)

▶ Lettering direction



3、结构 Structure



4、材料清单 MATERIAL LIST

| NO. | PARTS | MATERIAL | UL FILE NO. | TEMP. CLASS |
|-----|----------|--|-------------|-------------|
| 1 | CORE | Ni-Zn CORE OR EQUIVALENT | NA | NA |
| 2 | WIRE | POLYURETHANE ENAMELLED COPPER WIRE OR EQUIVALENT | E258243 | 180°C |
| 3 | ADHESIVE | EPOXY RESIN OR EQUIVALENT | NA | NA |
| 4 | SOLDER | Sn99.3-Cu0.7 OR EQUIVALENT | NA | NA |

*NA:NOT APPLICABLE.

5、电性能参数表 Electrical Characteristics List

| 规格型号 Part NO. | 电感量 Tolerance(μ H) | 测试频率 Test Freq. (kHz/v) | 直流电阻 DC Max (Ω) | 饱和电流 Isat (A) | 温升电流 Irms (A) |
|---------------------|----------------------------|----------------------------|-----------------------------|------------------|------------------|
| SNR.5012.BYDR47NT00 | 0.47 | 100/0.25 | 0.065 | 4.50 | 2.60 |
| SNR.5012.BYD1R0NT00 | 1.0 | 100/0.25 | 0.085 | 4.00 | 2.10 |
| SNR.5012.BYD1R5NT00 | 1.5 | 100/0.25 | 0.104 | 3.20 | 1.90 |
| SNR.5012.BYD2R2NT00 | 2.2 | 100/0.25 | 0.140 | 2.80 | 1.70 |
| SNR.5012.BYD3R3MT00 | 3.3 | 100/0.25 | 0.188 | 2.30 | 1.40 |
| SNR.5012.BYD4R7MT00 | 4.7 | 100/0.25 | 0.240 | 1.90 | 1.20 |
| SNR.5012.BYD6R8MT00 | 6.8 | 100/0.25 | 0.364 | 1.60 | 1.00 |
| SNR.5012.BYD100MT00 | 10 | 100/0.25 | 0.480 | 1.20 | 0.85 |
| SNR.5012.BYD150MT00 | 15 | 100/0.25 | 0.650 | 1.00 | 0.75 |
| SNR.5012.BYD220MT00 | 22 | 100/0.25 | 1.027 | 0.95 | 0.58 |
| SNR.5012.BYD330MT00 | 33 | 100/0.25 | 1.560 | 0.85 | 0.45 |
| | | | | | |
| | | | | | |
| | | | | | |
| | | | | | |
| | | | | | |
| | | | | | |
| | | | | | |
| | | | | | |
| | | | | | |
| | | | | | |
| | | | | | |
| | | | | | |
| | | | | | |
| | | | | | |
| | | | | | |
| | | | | | |
| | | | | | |
| | | | | | |
| | | | | | |
| | | | | | |
| | | | | | |

※公差Tolerance: N:±30%、M:±20%、K:±10%.

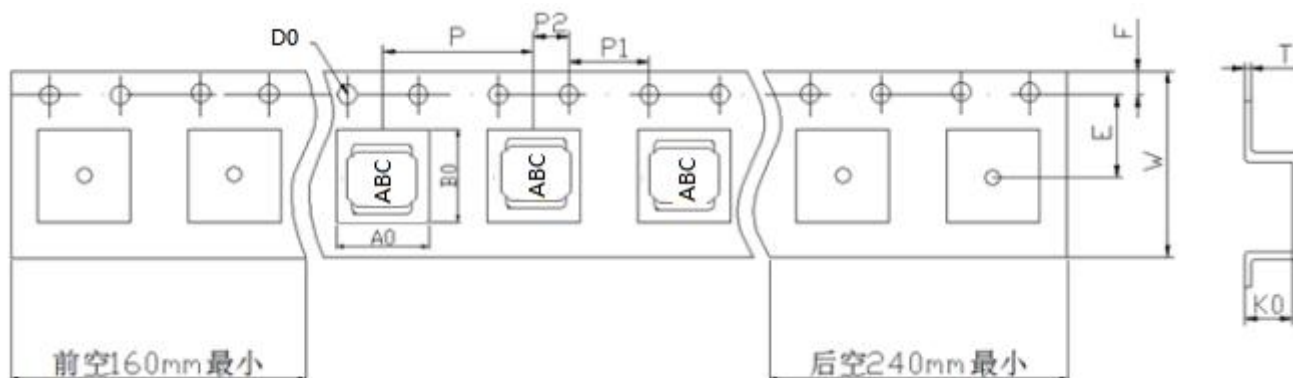
※工作温度Operating temperature rang: -40 °C to +125°C (Including Self-heating)

※储存温度Storage temperature rang: -40 °C to +125°C

额定电流: 指使电感量比初始值下降30%或电感器表面温度上升 40°C的电流值 (参考周围环境温度 25°C)。 The rated DC current is that which cause at 30% inductance reduction from the initial value or inductor surface temperature to rise by 40°C, whichever is smaller (Reference ambient temperature 25°C)。

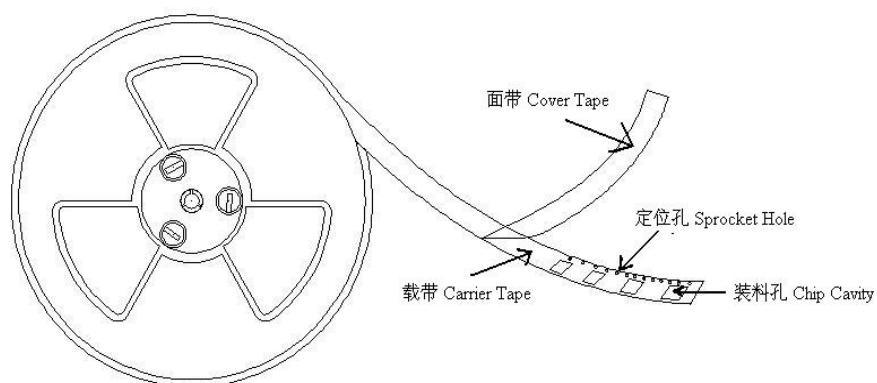
6、产品包装 Packaging

1) 载带包装示意图 Tape packing diagram



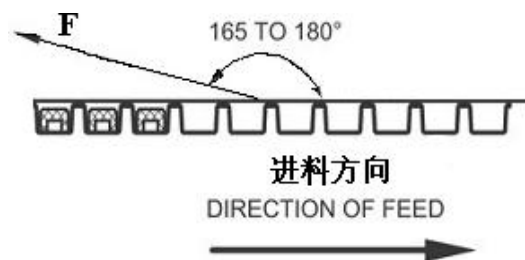
| ITEM | W | A0 | B0 | K0 | P | E | F | D0 | P0 | P2 | T |
|------|-------|------|------|------|------|------|------|------|------|------|-------|
| DIM | 12.00 | 4.30 | 4.30 | 1.40 | 8.00 | 5.50 | 1.75 | 1.50 | 4.00 | 2.00 | 0.30 |
| TOLE | ±0.3 | ±0.1 | ±0.1 | ±0.1 | ±0.1 | ±0.1 | ±0.1 | +0.1 | ±0.1 | ±0.1 | ±0.05 |

2) 卷盘包装示意图 Tape packing diagram



3) 剥离强度要求 Peeling required

- ① F 力大小: 20~100g;
- ② 面带剥离角度: 165°~180°。



4) 包装数量 Packing quantity

| 项目 | 数量 (PCS) | 尺寸规格 (mm) |
|----|----------|-------------------|
| 盘 | 3000 | 13" |
| 内盒 | 12000 | 340mm*340mm*65mm |
| 外箱 | 24000 | 360mm*360mm*160mm |