

Application Manual

Real Time Clock Module

RA8900SA / CE

NOTICE

- This material is subject to change without notice.
- Any part of this material may not be reproduced or duplicated in any form or any means without the written permission of Seiko Epson.
- The information about applied circuitry, software, usage, etc. written in this material is intended for reference only. Seiko Epson does not assume any liability for the occurrence of infringing on any patent or copyright of a third party. This material does not authorize the licensing for any patent or intellectual copyrights.
- When exporting the products or technology described in this material, you should comply with the applicable export control laws and regulations and follow the procedures required by such laws and regulations.
- You are requested not to use the products (and any technical information furnished, if any) for the development and/or manufacture of weapon of mass destruction or for other military purposes. You are also requested that you would not make the products available to any third party who may use the products for such prohibited purposes.
- These products are intended for general use in electronic equipment. When using them in specific applications that require extremely high reliability, such as the applications stated below, you must obtain permission from Seiko Epson in advance.
 - / Space equipment (artificial satellites, rockets, etc.) / Transportation vehicles and related (automobiles, aircraft, trains, vessels, etc.) / Medical instruments to sustain life / Submarine transmitters / Power stations and related / Fire work equipment and security equipment / traffic control equipment / and others requiring equivalent reliability.
- All brands or product names mentioned herein are trademarks and/or registered trademarks of their respective.

Contents

1. Overview.....	2
2. Block Diagram	2
3. Terminal description	3
3.1. Terminal connections	3
3.2. Pin Functions.....	3
4. Absolute Maximum Ratings	4
5. Recommended Operating Conditions	4
6. Frequency Characteristics	4
7. Electrical Characteristics.....	5
7.1. DC Characteristics.....	5
7.2. AC Characteristics.....	6
8. Use Methods.....	7
8.1. Description of Registers	7
8.1.1. Write / Read and Bank Select.....	7
8.1.2. Register table (Basic time and calendar register)	7
8.1.3. Register table (Extension register)	8
8.1.4. Quick reference	8
8.2. Details of Registers	9
8.2.1. Clock counter (SEC - HOUR).....	9
8.2.2. Calendar counter (WEEK - YEAR).....	10
8.2.3. Alarm registers	11
8.2.4. Fixed-cycle timer control registers.....	11
8.2.5. Extension register.....	11
8.2.6. Flag register	12
8.2.7. Control register.....	13
8.2.8. Temperature Data register	15
8.2.9. Backup power supply function register.....	15
8.3. Fixed-cycle Timer Interrupt Function	16
8.3.1. Diagram of fixed-cycle timer interrupt function	16
8.3.2. Related registers for function of time update interrupts.	17
8.3.3. Fixed-cycle timer interrupt interval (example)	18
8.3.4. Fixed-cycle timer start timing.....	18
8.4. Time Update Interrupt Function	19
8.4.1. Time update interrupt function diagram	19
8.4.2. Related registers for time update interrupt functions.	20
8.5. Alarm Interrupt Function	21
8.4.1. Diagram of alarm interrupt function	21
8.5.2. Related registers	22
8.5.2. Examples of alarm settings	23
8.6. About the interrupt function for operation /INT="L" interrupt output.	24
8.7. Temperature compensation function.....	24
8.7.1. Temperature compensation function.....	24
8.7.2. Related registers for temperature compensation function	24
8.8. Battery backup switchover function	25
8.8.1. Description of Battery backup switchover function.....	25
8.8.2. Control the contents of the power switching.....	26
8.8.3. Function that can be used in the backup state.....	26
8.8.4. Notes on power switching function is used	27
8.8.5. Related registers of the backup power supply switching function	27
8.9. Reading/Writing Data via the I ² C Bus Interface	28
8.9.1. Overview of I ² C-BUS	28
8.9.2. System configuration.....	28
8.9.3. Starting and stopping I ² C bus communications	29
8.9.4. Data transfers and acknowledge responses during I ² C-BUS communications	30
8.9.5. Slave address	30
8.9.6. I ² C bus protocol.....	31
8.10. Backup and Recovery	32
8.11. About access at the time of backup return and Initial power supply.....	33
8.12. Flow chart.....	34
8.13. Connection with Typical Microcontroller	37
8.14. When used as a clock source (32 kHz-TCXO).....	37

9. External Dimensions / Marking Layout	38
10. Application notes	40

For automotive I²C-Bus Interface Real-time Clock Module

RA8900 SA / CE

- Features built-in 32.768 kHz DTCXO, High Stability.
- Supports I²C-Bus's high speed mode (400 kHz)
- Alarm interrupt function for day, date, hour, and minute settings
- Fixed-cycle timer interrupt function
- Time update interrupt function (Seconds, minutes)
- 32.768 kHz output with OE function (FOE and FOUT pins)
- Auto correction of leap years (from 2000 to 2099)
- Wide interface voltage range: 2.5 V to 5.5 V
- Wide time-keeping voltage range: 1.6 V to 5.5 V
- Low current consumption: 0.70µA / 3 V (Typ.)
- Built-in Backup switchover circuit

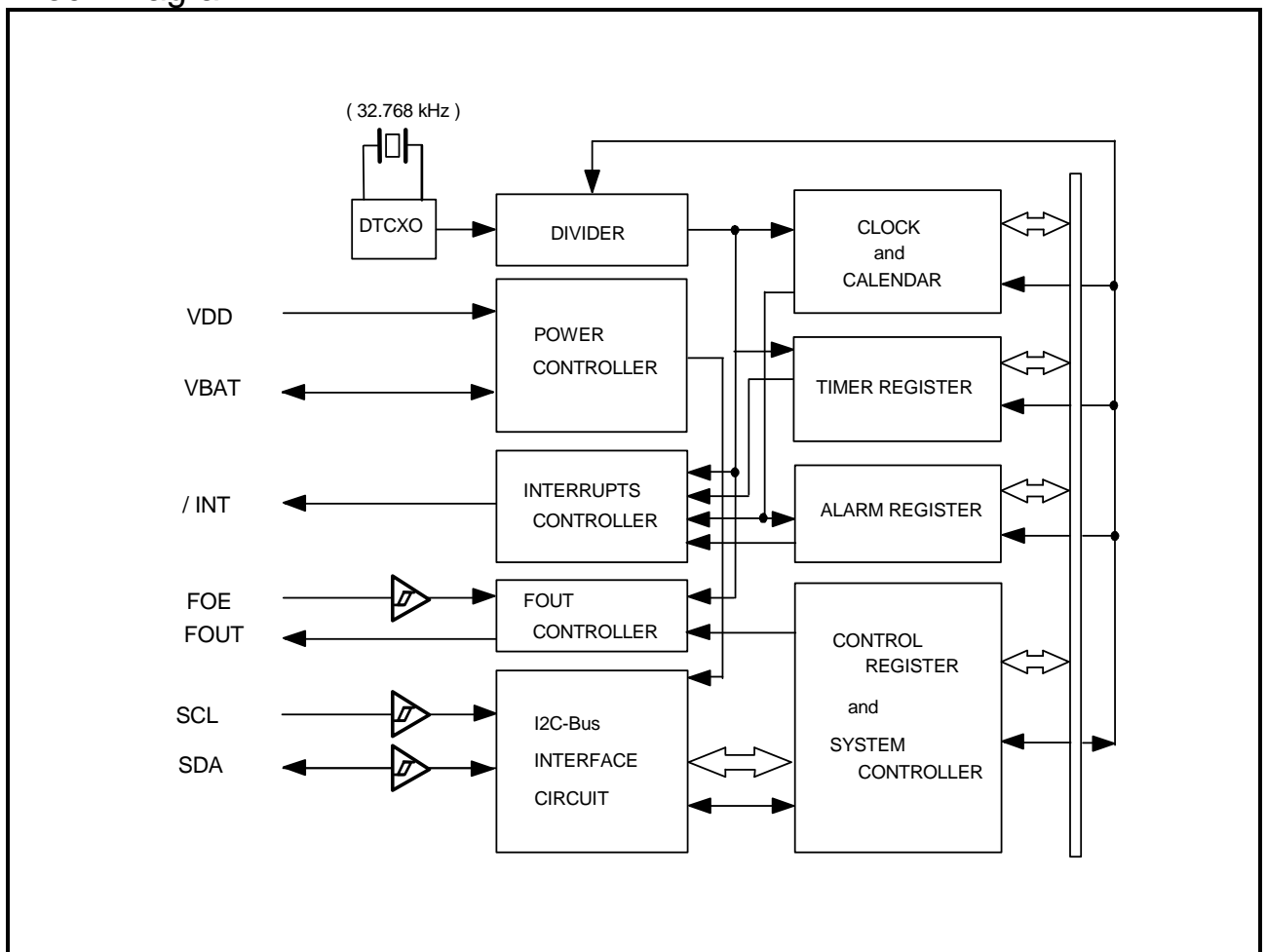
The I²C-BUS is a trademark of NXP Semiconductors.

*This product is on development. This specification may be changed until it releases.

1. Overview

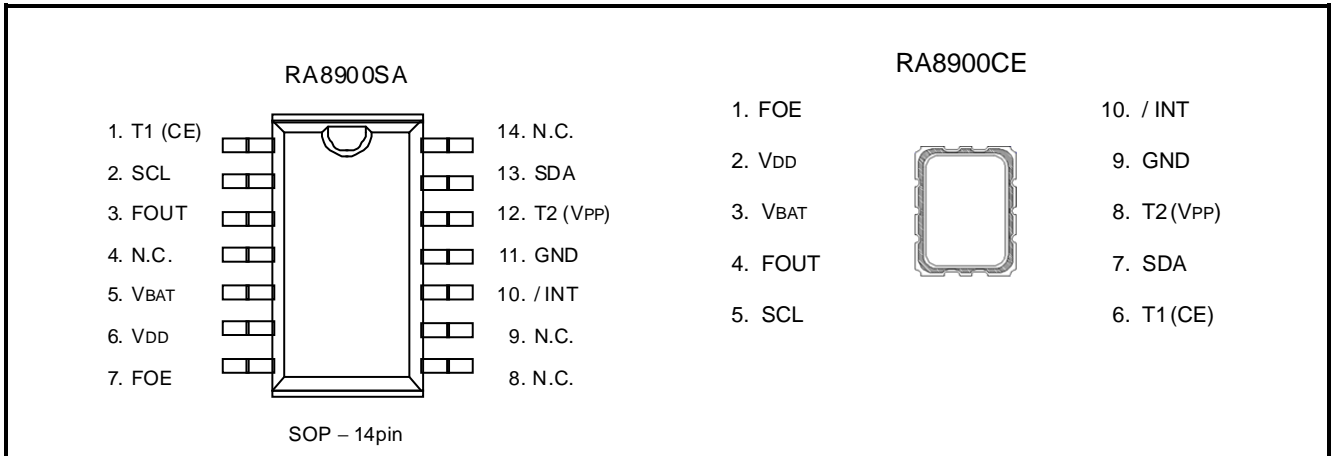
This module is an I²C bus interface-compliant real-time clock which includes a 32.768 kHz DTCXO. In addition to providing a calendar (year, month, date, day, hour, minute, second) function and a clock counter function, this module provides an abundance of other functions including an alarm function, fixed-cycle timer function, time update interrupt function, and 32.768 kHz output function. By the battery backup switchover function and the interface power supply input pin, RA8900 can support various power supply circuitries. The devices in this module are fabricated via a C-MOS process for low current consumption, which enables long-term battery back-up.

2. Block Diagram



3. Terminal description

3.1. Terminal connections



3.2. Pin Functions

Signal name	I/O	Function
SDA	I/O	This pin's signal is used for input and output of address, data, and ACK bits, synchronized with the serial clock used for I ² C communications. Since the SDA pin is an N-ch open drain pin during output, be sure to connect a suitable pull-up resistance relative to the signal line capacity.
SCL	Input	This is the serial clock input pin for I ² C Bus communications.
FOUT	Output	This is the C-MOS output pin with output control provided via the FOE pin. When FOE = "H" (high level), this pin outputs a 32.768 kHz signal. When output is stopped, the FOUT pin = "Hi-Z" (high impedance).
FOE	Input	This is an input pin used to control the output mode of the FOUT pin. When this pin's level is high, the FOUT pin is in output mode. When it is low, output via the FOUT pin is stopped.
/ INT	Output	This pins is used to output alarm signals, timer signals, time update signals, and other signals. This pin is an open drain pin.
VBAT	–	This is a power supply pin for backup battery. This is a pin to connect a large-capacity capacitor, a secondary battery. When the battery switchover function does not need, VBAT must be connected to VDD.
VDD	–	This pin is connected to a positive power supply.
GND	–	This pin is connected to a ground.
TEST	Input	Use by the manufacture for testing. (Do not connect externally.)
T1 (CE)	Input	Use by the manufacture for testing. (Do not connect externally.)
T2 (VPP)	–	Use by the manufacture for testing. (Do not connect externally.)
N.C.	–	This pin is not connected to the internal IC. Leave N.C. pins open or connect them to GND or VDD.

Note: Be sure to connect a bypass capacitor rated at least 0.1 μF between VDD and GND, VBAT and GND.

4. Absolute Maximum Ratings

GND = 0 V

Item	Symbol	Condition	Rating	Unit
Supply voltage (1)	VDD	Between VDD and GND	-0.3 to +6.5	V
Supply voltage (2)	VBAT	Between VBAT and GND	-0.3 to +6.5	V
Input voltage (2)	VIN	FOE, SCL, SDA pins	GND-0.3 to +6.5	V
Output voltage (1)	VOUT1	FOUT pin	GND-0.3 to VDD+0.3	V
Output voltage (2)	VOUT2	SDA and /INT pins	GND-0.3 to +6.5	V
Storage temperature	TSTG	When stored separately, without packaging	-55 to +125	°C

5. Recommended Operating Conditions

GND = 0 V

Item	Symbol	Condition	Min.	Typ.	Max.	Unit
Operating supply voltage (1)	VACC	Between VDD and GND (VDD = VBAT)	1.6	3.0	5.5	V
Operating supply voltage (2)	VACCSW	Between VDD and GND	2.5	3.0	5.5	V
Backup power supply voltage	VBAT	Between VBAT and GND	1.6	3.0	5.5	V
Temp. compensation voltage	VTEM	Temperature compensation voltage	2.0	3.0	5.5	V
Clock supply voltage	VCLK	-	1.6	3.0	5.5	V
Operating temperature	TOPR	No condensation	-40	+25	+85	°C

*To apply Min. value of VACC and VCLK, the voltage of VDD and VBAT have to supply more than 2.5V once.

* VACCSW means an operation voltage range using Battery backup switchover function.

*The Min. value of VCLK means Min. voltage to maintain a clock operation after having initialized in temperature compensation voltage VTEM.

* Frequency compensation for temperature becomes invalid with under Min. value of VTEM.

6. Frequency Characteristics

GND = 0 V

Item	Symbol	Condition	Rating	Unit	
Frequency stability	$\Delta f / f$	U A	Ta= 0 to +50 °C, VDD=3.0 V Ta=-40 to +85 °C, VDD=3.0 V	± 1.9 (*1) ± 3.4 (*2)	$\times 10^{-6}$
		U B	Ta= 0 to +50 °C, VDD=3.0 V Ta=-40 to +85 °C, VDD=3.0 V	± 3.8 (*3) ± 5.0 (*4)	
		U C	Ta= 0 to +50 °C, VDD=3.0 V Ta=-30 to +70 °C, VDD=3.0 V	± 3.8 (*3) ± 5.0 (*4)	
Frequency/voltage characteristics	f / V	Ta= +25 °C, VDD=2.0 V to 5.5 V	± 1.0 Max.	$\times 10^{-6} / V$	
Oscillation start time	tSTA	Ta= +25 °C, VDD=1.6 V ~ 5.5 V	1.0 Max.	s	
		Ta=-40 to +85 °C, VDD=1.6 V to 5.5 V	3.0 Max.		
Aging	fa	Ta= +25 °C, VDD=3.0 V, first year	± 3 Max.	$\times 10^{-6} /$ year	
Temperature Sensor Accuracy	Temp	VDD=3.0 V	± 5.0 Max.	°C	

*1) Equivalent to 5 seconds of month deviation. *2) Equivalent to 9 seconds of month deviation.

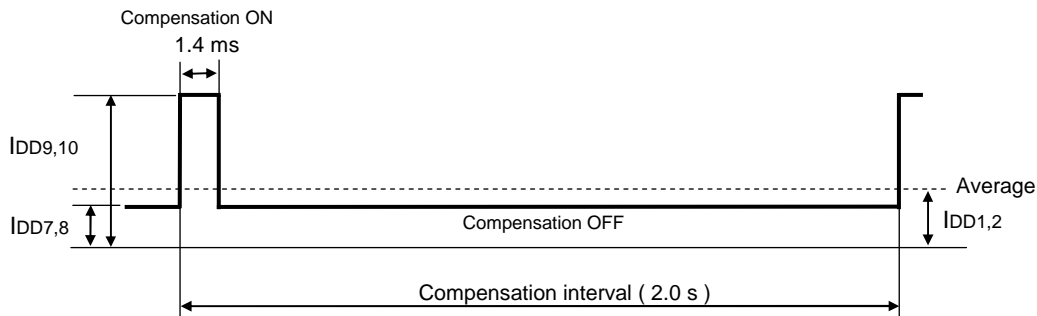
*3) Equivalent to 10 seconds of month deviation. *4) Equivalent to 13 seconds of month deviation.

7. Electrical Characteristics

7.1. DC Characteristics *Unless otherwise specified, GND = 0 V, VDD = VBAT = 2.5 V to 5.5 V, Ta = -40 °C to +85 °C

Item	Symbol	Condition	Min.	Typ.	Max.	Unit
Current consumption (1)	IDD1	fSCL = 0 Hz, / INT = VDD FOE = GND, VDD = VBAT	VDD = 5 V	0.72	1.50	μA
Current consumption (2)	IDD2	FOUT : output OFF (High Z) Compensation interval 2.0 s VDET3 voltage detection time 2ms	VDD = 3 V	0.70	1.40	
Current consumption (3)	IDD3	fSCL = 0 Hz, / INT = VDD FOE = VDD, VDD = VBAT	VDD = 5 V	1.60	2.50	μA
Current consumption (4)	IDD4	FOUT :32.768 kHz, CL =0pF Compensation interval 2.0 s VDET3 voltage detection time 2ms	VDD = 3 V	1.15	2.40	
Current consumption (5)	IDD5	fSCL = 0 Hz, / INT = VDD FOE = VDD, VDD = VBAT	VDD = 5 V	6.70	8.00	μA
Current consumption (6)	IDD6	FOUT :32.768 kHz, CL =30pF Compensation interval 2.0 s VDET3 voltage detection time 2ms	VDD = 3 V	4.30	5.50	
Current consumption (7)	IDD7	fSCL = 0 Hz, / INT = VDD FOE = GND, VDD = VBAT	VDD = 5 V	0.70	1.45	μA
Current consumption (8)	IDD8	FOUT : output OFF (High Z) Compensation OFF VDET3 voltage detection time 2ms	VDD = 3 V	0.68	1.35	
Current consumption (9)	IDD9	fSCL = 0 Hz, / INT = VDD FOE = GND, VDD = VBAT	VDD = 5 V	55	100	μA
Current consumption (10)	IDD10	FOUT : output OFF (High Z) Compensation ON (peak)	VDD = 3 V	50	95	
High-level input voltage	VIH	SCL, SDA, FOE pins	0.8 × VDD		5.5	V
Low-level input voltage	VIL	SCL, SDA, FOE pins	GND - 0.3		0.2 × VDD	V
High-level output voltage	VOH1	FOUT pin	VDD=5 V, IOH=-1 mA	4.5	5.0	V
	VOH2		VDD=3 V, IOH=-1 mA	2.2	3.0	
	VOH3		VDD=3 V, IOH=-100 μA	2.9	3.0	
Low-level output voltage	VOL1	FOUT pin	VDD=5 V, IOL=1 mA	GND	GND+0.5	V
	VOL2		VDD=3 V, IOL=1 mA	GND	GND+0.8	
	VOL3		VDD=3 V, IOL=100 μA	GND	GND+0.1	
	VOL4	/ INT pin	VDD=5 V, IOL=1 mA	GND	GND+0.25	V
	VOL5		VDD=3 V, IOL=1 mA	GND	GND+0.4	
	VOL6	SDA pin	VDD ≥ 2 V, IOL=3 mA	GND	GND+0.4	V
Input leakage current	ILK	FOE, SCL, SDA pins , VIN = VDD or GND	-0.5		0.5	μA
Output leakage current	IOZ	/ INT, SDA, FOUT pins, VOUT = VDD or GND	-0.5		0.5	μA

- Temperature compensation and consumption current

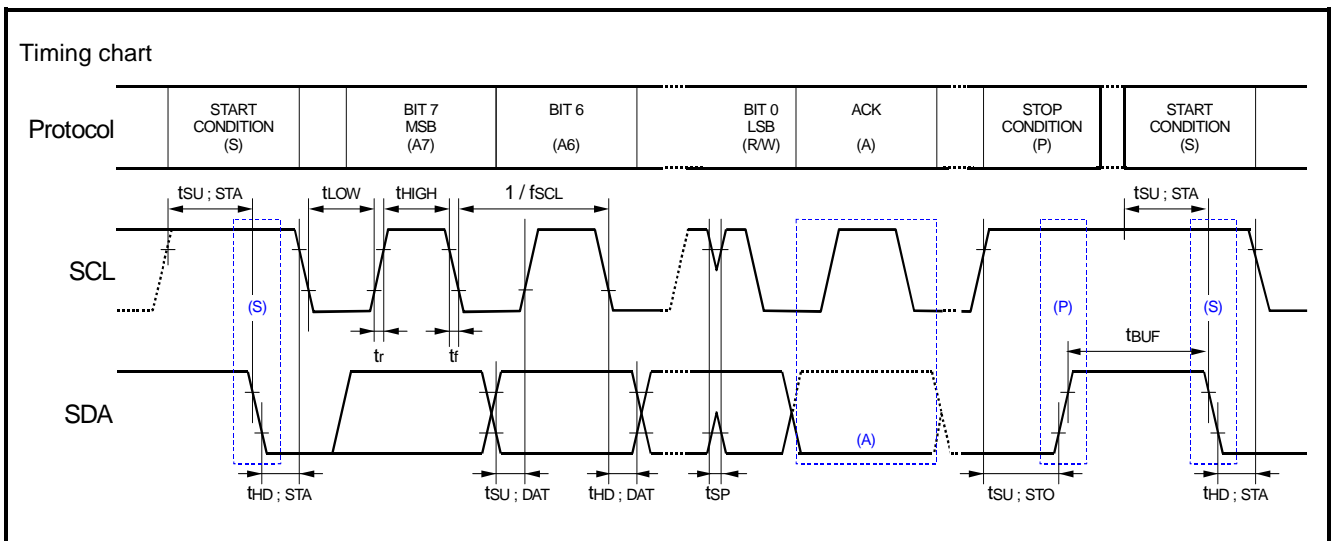


7.2. AC Characteristics

* Unless otherwise specified,
 GND = 0 V, VDD = 2.5 V to 5.5 V, Ta = -40 °C to +85 °C

Item	Symbol	Condition	Min.	Typ.	Max.	Unit
SCL clock frequency	fSCL				400	kHz
Start condition setup time	tSU;STA		0.6			μs
Start condition hold time	tHD;STA		0.6			μs
Data setup time	tSU;DAT		100			ns
Data hold time	tHD;DAT		0			ns
Stop condition setup time	tSU;STO		0.6			μs
Bus idle time between start condition and stop condition	tBUF		1.3			μs
Time when SCL = "L"	tLOW		1.3			μs
Time when SCL = "H"	tHIGH		0.6			μs
Rise time for SCL and SDA	tr				0.3	μs
Fall time for SCL and SDA	tf				0.3	μs
Allowable spike time on bus	tSP				50	ns
FOUT duty	tw /t	50% of VDD level	40	50	60	%

Note: These timing specifications are applied in access by 400kHz.



Warning: When accessing this device, all communication from transmitting the start condition to transmitting the stop condition after access **should be completed within 0.95 seconds**.
 If such communication requires **0.95 seconds** or longer, the I²C bus interface is reset by the internal bus timeout function.
 When bus-time-out occur, SDA turns to Hi-Z input mode.
 And clock counter restarts correctly.

8. Use Methods

8.1. Description of Registers

8.1.1. Write / Read and Bank Select

Address 00h to 0Fh : Basic time and calendar register ... Compatible with RX-8803.

Address 10h to 1Fh : Extension register.

8.1.2. Register table (Basic time and calendar register)

Address	Function	bit 7	bit 6	bit 5	bit 4	bit 3	bit 2	bit 1	bit 0	Read	Write
00	SEC	○	40	20	10	8	4	2	1	P	P
01	MIN	○	40	20	10	8	4	2	1	P	P
02	HOUR	○	○	20	10	8	4	2	1	P	P
03	WEEK	○	6	5	4	3	2	1	0	P	P
04	DAY	○	○	20	10	8	4	2	1	P	P
05	MONTH	○	○	○	10	8	4	2	1	P	P
06	YEAR	80	40	20	10	8	4	2	1	P	P
07	RAM	•	•	•	•	•	•	•	•	P	P
08	MIN Alarm	AE	40	20	10	8	4	2	1	P	P
09	HOUR Alarm	AE	•	20	10	8	4	2	1	P	P
0A	WEEK Alarm	AE	6	5	4	3	2	1	0	P	P
	DAY Alarm		•	20	10	8	4	2	1		
0B	Timer Counter 0	128	64	32	16	8	4	2	1	P	P
0C	Timer Counter 1	•	•	•	•	2048	1024	512	256	P	P
0D	Extension Register	TEST	WADA	USEL	TE	FSEL1	FSEL0	TSEL1	TSEL0	P	P
0E	Flag Register	○	○	UF	TF	AF	○	VLF	VDET	P	P
0F	Control Register	CSEL1	CSEL0	UIE	TIE	AIE	○	○	RESET	P	P

P : Possible , I : Impossible

Note When after the initial power-up (from 0 V) or when the result of read out the VLF bit is "1" , initialize all registers, before using the module.
Be sure to avoid entering incorrect date and time data, as clock operations are not guaranteed when the data or time data is incorrect.

- *1) During the initial power-up, as for the following registers, an initial value is set
Initial value_0 : TEST,WADA,USEL,TE,FSEL1,FSEL0,TSEL0,UF,TF,AF,CSEL1,UIE,TIE,AIE,RESET
VDETOFF,SWOFF,BKSMP1,BKSMP0
Initial value_1 : TSEL1,VLF,VDET,CSEL0
* At this point, all other register values are undefined, so be sure to perform a reset before using the module.
- *2) Only a "0" can be written to the UF, TF, AF, VLF, or VDET bit.
- *3) Any bit marked with "○" should be used with a value of "0" after initialization.
- *4) Any bit marked with "•" is a RAM bit that can be used to read or write any data.
- *5) The TEST bit is used by the manufacturer for testing. Be sure to set "0" for this bit when writing.
- *6) If an alarm function is not used, register of Add08-0A can be used as RAM. (AIE : "0")
- *7) Reading register value of address 0B-0C is pre-set data.
If an timer function is not used, register of Add0B-0C can be used as RAM. (TE,TIE : "0")

8.1.3. Register table (Extension register)

Address	Function	bit 7	bit 6	bit 5	bit 4	bit 3	bit 2	bit 1	bit 0	Read	Write
10	SEC	○	40	20	10	8	4	2	1	P	P
11	MIN	○	40	20	10	8	4	2	1	P	P
12	HOUR	○	○	20	10	8	4	2	1	P	P
13	WEEK	○	6	5	4	3	2	1	0	P	P
14	DAY	○	○	20	10	8	4	2	1	P	P
15	MONTH	○	○	○	10	8	4	2	1	P	P
16	YEAR	80	40	20	10	8	4	2	1	P	P
17	TEMP	128	64	32	16	8	4	2	1	P	I
18	Backup Function	○	○	○	○	VDET OFF	Swoff	BKSMP1	BKSMP0	P	P
19	Not use	○	○	○	○	○	○	○	○	P	I
1A	Not use	○	○	○	○	○	○	○	○	P	I
1B	Timer Counter 0	128	64	32	16	8	4	2	1	P	P
1C	Timer Counter 1	•	•	•	•	2048	1024	512	256	P	P
1D	Extension Register	TEST	WADA	USEL	TE	FSEL1	FSEL0	TSEL1	TSEL0	P	P
1E	Flag Register	○	○	UF	TF	AF	○	VLF	VDET	P	P
1F	Control Register	CSEL1	CSEL0	UIE	TIE	AIE	○	○	RESET	P	P
Address	Function	bit 7	bit 6	bit 5	bit 4	bit 3	bit 2	bit 1	bit 0	P	P

The contents of address 16h from 10h in extension register, these are same counter as 06h from 00h in basic register.

8.1.4. Quick reference

Update interrupt timing		default
USEL = 0	Once per seconds.	√
USEL = 1	Once per minutes.	
Output Frequency selection		
FSEL1, FSEL0 = 00	32.768Khz	√
FSEL1, FSEL0 = 01	1024Hz	
FSEL1, FSEL0 = 10	1Hz	
FSEL1, FSEL0 = 11	32.768kHz	
Timer source clock selection.		
TSEL1, TSEL0 = 00	64Hz	
TSEL1, TSEL0 = 01	every seconds update	
TSEL1, TSEL0 = 10	every minutes update.	√
TSEL1, TSEL0 = 11	4096Hz	
Temperature compensation selection		
CSEL1, CSEL0 = 00	0.5 sec	
CSEL1, CSEL0 = 01	2.0 sec	√
CSEL1, CSEL0 = 10	10 sec	
CSEL1, CSEL0 = 11	30 sec	

8.2. Details of Registers

8.2.1. Clock counter (SEC - HOUR)

Address	Function	bit 7	bit 6	bit 5	bit 4	bit 3	bit 2	bit 1	bit 0
00, 10	SEC	○	40	20	10	8	4	2	1
01, 11	MIN	○	40	20	10	8	4	2	1
02, 12	HOUR	○	○	20	10	8	4	2	1

*) "o" indicates write-protected bits. A zero is always read from these bits.

- The clock counter counts seconds, minutes, and hours.
- The data format is BCD format. For example, when the "seconds" register value is "0101 1001" it indicates 59 seconds.
- * Note with caution that writing non-existent time data may interfere with normal operation of the clock counter.

1) Second counter

Address	Function	bit 7	bit 6	bit 5	bit 4	bit 3	bit 2	bit 1	bit 0
00, 10	SEC	○	40	20	10	8	4	2	1

- This second counter counts from "00" to "01," "02," and up to 59 seconds, after which it starts again from 00 seconds.

2) Minute counter

Address	Function	bit 7	bit 6	bit 5	bit 4	bit 3	bit 2	bit 1	bit 0
01, 11	MIN	○	40	20	10	8	4	2	1

- This minute counter counts from "00" to "01," "02," and up to 59 minutes, after which it starts again from 00 minutes.

3) Hour counter

Address	Function	bit 7	bit 6	bit 5	bit 4	bit 3	bit 2	bit 1	bit 0
02, 12	HOUR	○	○	20	10	8	4	2	1

- This hour counter counts from "00" hours to "01," "02," and up to 23 hours, after which it starts again from 00 hours.

8.2.2. Calendar counter (WEEK - YEAR)

Address	Function	bit 7	bit 6	bit 5	bit 4	bit 3	bit 2	bit 1	bit 0
03, 13	WEEK	○	6	5	4	3	2	1	0

*) "o" indicates write-protected bits. A zero is always read from these bits.

1) Day of the WEEK counter

- The day (of the week) is indicated by 7 bits, bit 0 to bit 6.
The day data values are counted as: Day 01h → Day 02h → Day 04h → Day 08h → Day 10h → Day 20h → Day 40h → Day 01h → Day 02h, etc.
- The correspondence between days and count values is shown below.

WEEK	bit 7	bit 6	bit 5	bit 4	bit 3	bit 2	bit 1	bit 0	Day	Data [h]
Write/Read	0	0	0	0	0	0	0	1	Sunday	01 h
	0	0	0	0	0	0	1	0	Monday	02 h
	0	0	0	0	0	1	0	0	Tuesday	04 h
	0	0	0	0	1	0	0	0	Wednesday	08 h
	0	0	0	1	0	0	0	0	Thursday	10 h
	0	0	1	0	0	0	0	0	Friday	20 h
	0	1	0	0	0	0	0	0	Saturday	40 h
Write prohibit	* Do not set "1" to more than one day at the same time. Also, note with caution that any setting other than the seven shown above should not be made as it may interfere with normal operation.								-	-

Address	Function	bit 7	bit 6	bit 5	bit 4	bit 3	bit 2	bit 1	bit 0
04, 14	DAY	○	○	20	10	8	4	2	1
05, 15	MONTH	○	○	○	10	8	4	2	1
06, 16	YEAR	80	40	20	10	8	4	2	1

*) "o" indicates write-protected bits. A zero is always read from these bits.

- The auto calendar function updates all dates, months, and years from January 1, 2001 to December 31, 2099.
- The data format is BCD format. For example, a date register value of "0011 0001" indicates the 31st.
- * Note with caution that writing non-existent date data may interfere with normal operation of the calendar counter.

2) Date counter

Address	Function	bit 7	bit 6	bit 5	bit 4	bit 3	bit 2	bit 1	bit 0
04, 14	DAY	○	○	20	10	8	4	2	1

- The updating of dates by the date counter varies according to the month setting.
- * A leap year is set whenever the year value is a multiple of four (such as 04, 08, 12, 88, 92, or 96). In February of a leap year, the counter counts dates from "01," "02," "03," to "28," "29," "01," etc.

DAY	Month	Date update pattern
Write/Read	1, 3, 5, 7, 8, 10, or 12	01, 02, 03 ~ 30, 31, 01 ~
	4, 6, 9, or 11	01, 02, 03 ~ 30, 01, 02 ~
	February in normal year	01, 02, 03 ~ 28, 01, 02 ~
	February in leap year	01, 02, 03 ~ 28, 29, 01 ~

3) Month counter

Address	Function	bit 7	bit 6	bit 5	bit 4	bit 3	bit 2	bit 1	bit 0
05, 15	MONTH	○	○	○	10	8	4	2	1

- The month counter counts from 01 (January), 02 (February), and up to 12 (December), then starts again at 01 (January).

4) Year counter

Address	Function	bit 7	bit 6	bit 5	bit 4	bit 3	bit 2	bit 1	bit 0
06, 16	YEAR	Y80	Y40	Y20	Y10	Y8	Y4	Y2	Y1

- The year counter counts from 00, 01, 02 and up to 99, then starts again at 00.
- Any year that is a multiple of four (04, 08, 12, 88, 92, 96, etc.) is handled as a leap year.

8.2.3. Alarm registers

Address	Function	bit 7	bit 6	bit 5	bit 4	bit 3	bit 2	bit 1	bit 0
08	MIN Alarm	AE	40	20	10	8	4	2	1
09	HOUR Alarm	AE	•	20	10	8	4	2	1
0A	WEEK Alarm	AE	6	5	4	3	2	1	0
	DAY Alarm		•	20	10	8	4	2	1

- The alarm interrupt function is used, along with the AEI, AF, and WADA bits, to set alarms for specified date, day, hour, and minute values.
- When the settings in the above alarm registers and the WADA bit match the current time, the /INT pin goes to low level and "1" is set to the AF bit to report that an alarm interrupt event has occurred.

8.2.4. Fixed-cycle timer control registers

Address	Function	bit 7	bit 6	bit 5	bit 4	bit 3	bit 2	bit 1	bit 0
0B, 1B	Timer Counter 0	128	64	32	16	8	4	2	1
0C, 1C	Timer Counter 1	•	•	•	•	2048	1024	512	256

- These registers are used to set the preset countdown value for the fixed-cycle timer interrupt function. The TE, TF, TIE, and TSEL0/1 bits are also used to set the fixed-cycle timer interrupt function.
- When the value in the above fixed-cycle timer control register changes from 001h to 000h, the /INT pin goes to low level and "1" is set to the TF bit to report that a fixed-cycle timer interrupt event has occurred.

8.2.5. Extension register

Address	Function	bit 7	bit 6	bit 5	bit 4	bit 3	bit 2	bit 1	bit 0
0D, 1D	Extension Register (Default)	TEST (0)	WADA (-)	USEL (-)	TE (-)	FSEL1 (0)	FSEL0 (0)	TSEL1 (-)	TSEL0 (-)

*1) The default value is the value that is read (or is set internally) after powering up from 0 V.

*2) "o" indicates write-protected bits. A zero is always read from these bits.

*3) "-" indicates a default value is undefined.

- This register is used to specify the target for the alarm function or time update interrupt function and to select or set operations such as fixed-cycle timer operations.

1) TEST bit

This is the manufacturer's test bit. Its value should always be "0".

Be careful to avoid writing a "1" to this bit when writing to other bits.

TEST	Data	Description
Write/Read	0	Normal operation mode * Default
	1	Setting prohibited (manufacturer's test bit)

2) WADA (Week Alarm/Day Alarm) bit

This bit is used to specify either WEEK or DAY as the target of the alarm interrupt function.

Writing a "1" to this bit specifies DAY as the comparison obLCct for the alarm interrupt function.

Writing a "0" to this bit specifies WEEK as the comparison obLCct for the alarm interrupt function.

3) USEL (Update Interrupt Select) bit

This bit is used to specify either "second update" or "minute update" as the update generation timing of the time update interrupt function.

USEL	Data	update interrupts	Auto reset time tRTN
Write/Read	0	second update * Default	500 ms
	1	minute update	7.813 ms

4) TE (Timer Enable) bit

This bit controls the start/stop setting for the fixed-cycle timer interrupt function.

Writing a "1" to this bit specifies starting of the fixed-cycle timer interrupt function (a countdown starts from a preset value).

Writing a "0" to this bit specifies stopping of the fixed-cycle timer interrupt function.

5) FSEL0,1 (FOUT frequency Select 0, 1) bits

The combination of these two bits is used to set the FOUT frequency.

FSEL0,1	FSEL1 (bit 3)	FSEL0 (bit 2)	FOUT frequency
Write/Read	0	0	32768 Hz Output * Default
	0	1	1024 Hz Output
	1	0	1 Hz Output
	1	1	32768 Hz Output

6) TSEL0,1 (Timer Select 0, 1) bits

The combination of these two bits is used to set the countdown period (source clock) for the fixed-cycle timer interrupt function (four settings can be made).

TSEL0,1	TSEL1 (bit 1)	TSEL0 (bit 0)	Source clock
Write/Read	0	0	4096 Hz / Once per 244.14 μs
	0	1	64 Hz / Once per 15.625 ms
	1	0	"Second" update / Once per second
	1	1	"Minute" update / Once per minute

8.2.6. Flag register

Address	Function	bit 7	bit 6	bit 5	bit 4	bit 3	bit 2	bit 1	bit 0
0E, 1E	Flag register (Default)	○ (0)	○ (0)	UF (-)	TF (-)	AF (-)	○ (0)	VLF (1)	VDET (1)

*1) The default value is the value that is read (or is set internally) after powering up from 0 V.

*2) "o" indicates write-protected bits. A zero is always read from these bits.

*3) "-" indicates a default value is undefined.

• This register is used to detect the occurrence of various interrupt events and reliability problems in internal data.

1) UF (Update Flag) bit

If set to "0" beforehand, this flag bit's value changes from "0" to "1" when a time update interrupt event has occurred. Once this flag bit's value is "1", its value is retained until a "0" is written to it.

* For details, see "8.4. Time Update Interrupt Function".

2) TF (Timer Flag) bit

If set to "0" beforehand, this flag bit's value changes from "0" to "1" when a fixed-cycle timer interrupt event has occurred. Once this flag bit's value is "1", its value is retained until a "0" is written to it.

* For details, see "8.3. Fixed-cycle Timer Interrupt Function".

3) AF (Alarm Flag) bit

If set to "0" beforehand, this flag bit's value changes from "0" to "1" when an alarm interrupt event has occurred. Once this flag bit's value is "1", its value is retained until a "0" is written to it.

* For details, see "8.5. Alarm Interrupt Function".

4) VLF (Voltage Low Flag) bit

This flag bit indicates the retained status of clock operations or internal data. Its value changes from "0" to "1" when data loss occurs, such as due to a supply voltage drop. Once this flag bit's value is "1", its value is retained until a "0" is written to it. When after powering up from 0 V, this bit's value is "1". Please confirm table in 8.10. Backup and Recovery.

VLF	Data	Description
Write	0	The VLF bit is cleared to zero to prepare for the next status detection.
	1	This bit is invalid after a "1" has been written to it.
Read	0	Data loss is not detected.
	1	Data loss is detected. All registers must be initialized. (This setting is retained until a "zero" is written to this bit.)

5) VDET (Voltage Detection Flag) bit

This flag bit indicates the status of temperature compensation. Its value changes from "0" to "1" when stop the temperature compensation, such as due to a supply voltage drop. Once this flag bit's value is "1", its value is retained until a "0" is written to it.

When after powering up from 0 V this bit's value is "1". Please confirm table in 8.10. Backup and Recovery.

VDET	Data	Description
Write	0	The VDET bit is cleared to zero to prepare for the next low voltage detection.
	1	The write access of "1" to this bit is invalid.
Read	0	Temperature compensation is normal.
	1	Temperature compensation is stop detected.

8.2.7. Control register

Address	Function	bit 7	bit 6	bit 5	bit 4	bit 3	bit 2	bit 1	bit 0
0F, 1F	Control Register (Default)	CSEL1 (0)	CSEL0 (1)	UIE (-)	TIE (-)	AIE (-)	○ (0)	○ (0)	RESET (-)

*1) The default value is the value that is read (or is set internally) after powering up from 0 V.

*2) "o" indicates write-protected bits. A zero is always read from these bits.

*3) "-" indicates no default value has been defined.

- This register is used to control interrupt event output from the /INT pin and the stop/start status of clock and calendar operations.

1) CSEL0,1 (Compensation interval Select 0, 1) bits

The combination of these two bits is used to set the temperature compensation interval.

CSEL0,1	CSEL1 (bit 7)	CSEL0 (bit 6)	Compensation interval
Write/Read	0	0	0.5 s
	0	1	2.0 s * Default
	1	0	10 s
	1	1	30 s

2) UIE (Update Interrupt Enable) bit

When a time update interrupt event is generated (when the UF bit value changes from "0" to "1"), this bit's value specifies if an interrupt signal is generated (/INT status changes from Hi-Z to low) or is not generated (/INT status remains Hi-Z).

When a "1" is written to this bit, an interrupt signal is generated (/INT status changes from Hi-Z to low) when an interrupt event is generated.

When a "0" is written to this bit, no interrupt signal is generated when an interrupt event occurs.

UIE	Data	Function
Write/Read	0	When a time update interrupt event occurs, an interrupt signal is not generated or is canceled (/INT status changes from low to Hi-Z).
	1	When a time update interrupt event occurs, an interrupt signal is generated (/INT status changes from Hi-Z to low). * When a time update interrupt event occurs, low-level output from the /INT pin occurs only when the value of the control register's UIE bit is "1". This /INT status is automatically cleared (/INT status changes from low to Hi-Z) 7.8 ms after the interrupt occurs.

2) TIE (Timer Interrupt Enable) bit

When a fixed-cycle timer interrupt event occurs (when the TF bit value changes from "0" to "1"), this bit's value specifies if an interrupt signal is generated (/INT status changes from Hi-Z to low) or is not generated (/INT status remains Hi-Z).

When a "1" is written to this bit, an interrupt signal is generated (/INT status changes from Hi-Z to low) when an interrupt event is generated.

When a "0" is written to this bit, no interrupt signal is generated when an interrupt event occurs.

TIE	Data	Function
Write/Read	0	When a fixed-cycle timer interrupt event occurs, an interrupt signal is not generated or is canceled (/INT status changes from low to Hi-Z).
	1	When a fixed-cycle timer interrupt event occurs, an interrupt signal is generated (/INT status changes from Hi-Z to low). * When a fixed-cycle timer interrupt event has been generated low-level output from the /INT pin occurs only when the value of the control register's TIE bit is "1". Up to 7.8 ms after the interrupt occurs, the /INT status is automatically cleared (/INT status changes from low to Hi-Z).

3) AIE (Alarm Interrupt Enable) bit

When an alarm timer interrupt event occurs (when the AF bit value changes from "0" to "1"), this bit's value specifies if an interrupt signal is generated (/INT status changes from Hi-Z to low) or is not generated (/INT status remains Hi-Z).

When a "1" is written to this bit, an interrupt signal is generated (/INT status changes from Hi-Z to low) when an interrupt event is generated.

When a "0" is written to this bit, no interrupt signal is generated when an interrupt event occurs.

AIE	Data	Function
Write/Read	0	When an alarm interrupt event occurs, an interrupt signal is not generated or is canceled (/INT status changes from low to Hi-Z).
	1	When an alarm interrupt event occurs, an interrupt signal is generated (/INT status changes from Hi-Z to low). * When an alarm interrupt event has been generated low-level output from the /INT pin occurs only when the value of the control register's AIE bit is "1". This setting is retained until the AF bit value is cleared to zero. (No automatic cancellation)

* For details, see "8.5. Alarm Interrupt Function".

[Caution]

- (1) The /INT pin is a shared interrupt output pin for three types of interrupts. It outputs the OR'ed result of these interrupt outputs. When an interrupt has occurred (when the /INT pin is at low level), the UF, TF, read AF flags to determine which flag has a value of "1" (this indicates which type of interrupt event has occurred).
- (2) To keep the /INT pin from changing to low level, write "0" to the UIE, TIE, and AIE bits. To check whether an event has occurred without outputting any interrupts via the /INT pin, use software to monitor the value of the UF, TF, and AF interrupt flags.

4) RESET bit

When this bit is set to "1", values (less than seconds) of the counter in the Clock & Calendar circuitry is reset, and the clock also stops.

After "1" is written to this bit, this can be released by setting CE to "L".

8.2.8. Temperature Data register

Address	Function	bit 7	bit 6	bit 5	bit 4	bit 3	bit 2	bit 1	bit 0
17	TEMP	128	64	32	16	8	4	2	1

1) Temperature Data register

This register can begin to read digital temperature data.

The temperature data are updated in an operation timing of the temperature compensation circuit.

You can make a conversion to a centigrade by temperature data by calculating in the following expression .

$$\text{Temperature}[\text{°C}] = (\text{TEMP}[7:0] * 2 - 187.19) / 3.218$$

8.2.9. Backup power supply function register

Address	Function	bit 7	bit 6	bit 5	bit 4	bit 3	bit 2	bit 1	bit 0
18	Backup Function	○	○	○	○	VDET OFF	SWOFF	BKSMP1	BKSMP0

This register is a setting register the voltage detection of VDD and built-in MOS switch of anti-countercurrent control .

1) VDETOFF bit (Voltage Detector OFF)

This bit controls the voltage detection circuit of the main power supply VDD.

* For details, see "8.8.5. Related registers of the backup power supply switching function"

2) SWOFF bit (Switch OFF)

This bit controls the internal P-MOS switch for preventing back flow.

* For details, see "8.8.5. Related registers of the backup power supply switching function".

3) BKSMP1, BKSMP0 bit (Backup mode Sampling time)

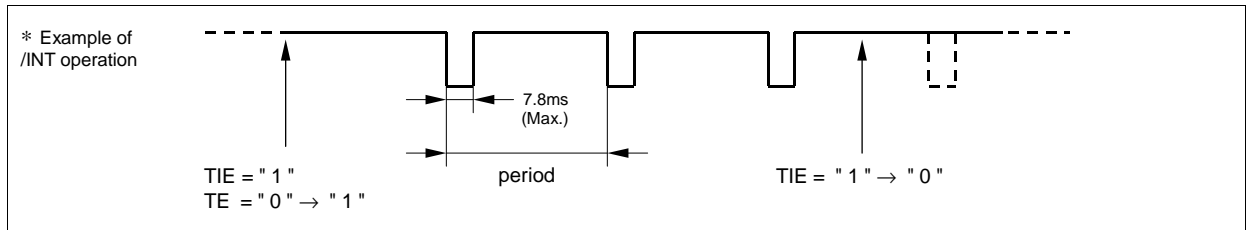
This bit controls the operation time when to be intermittently driven the VDD voltage detection.

* For details, see "8.8.5. Related registers of the backup power supply switching function".

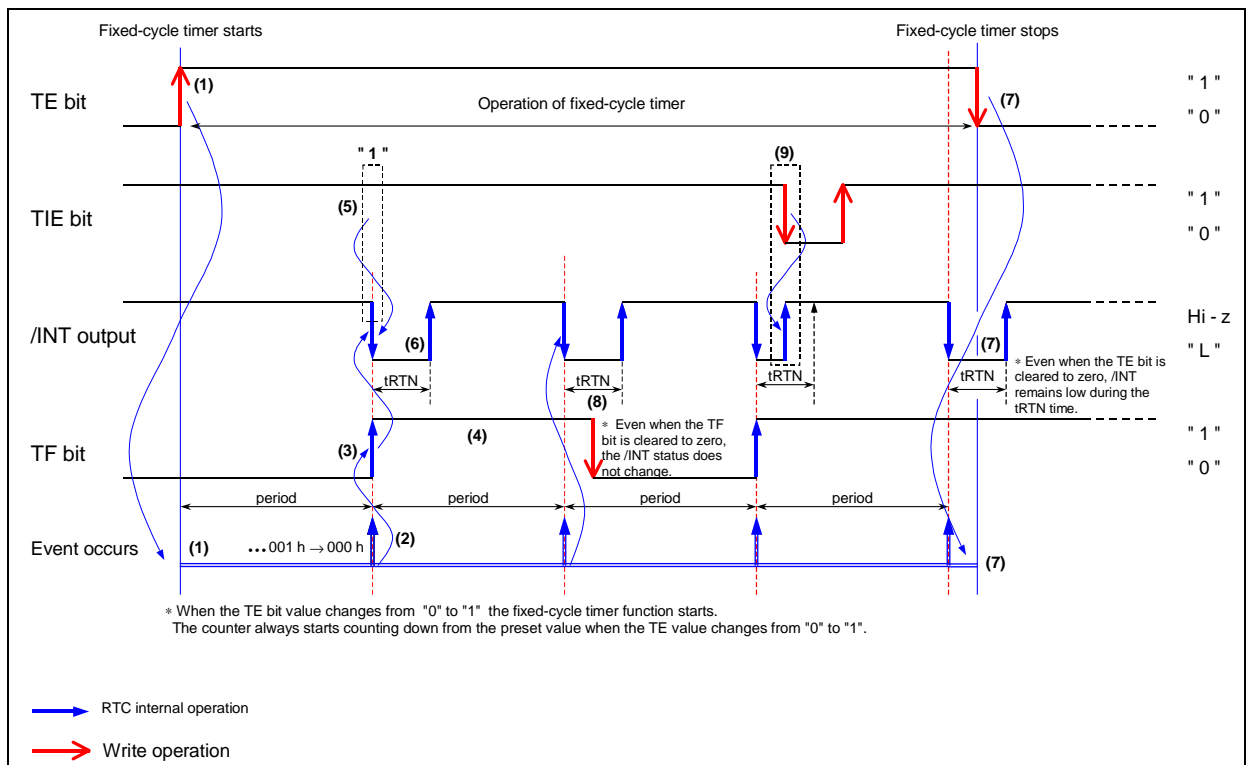
8.3. Fixed-cycle Timer Interrupt Function

The fixed-cycle timer interrupt generation function generates an interrupt event periodically at any fixed cycle set between 244.14 μ s and 4095 minutes.

When an interrupt event is generated, the /INT pin goes to low level and "1" is set to the TF bit to report that an event has occurred. (However, when a fixed-cycle timer interrupt event has been generated low-level output from the /INT pin occurs only when the value of the control register's TIE bit is "1". Up to 7.8 ms after the interrupt occurs, the /INT status is automatically cleared (/INT status changes from low-level to Hi-Z).



8.3.1. Diagram of fixed-cycle timer interrupt function



- (1) When a "1" is written to the TE bit, the fixed-cycle timer countdown starts from the preset value.
- (2) A fixed-cycle timer interrupt event starts a countdown based on the countdown period (source clock). When the count value changes from 001h to 000h, an interrupt event occurs.
 - * After the interrupt event that occurs when the count value changes from 001h to 000h, the counter automatically reloads the preset value and again starts to count down. (Repeated operation)
- (3) When a fixed-cycle timer interrupt event occurs, "1" is written to the TF bit.
- (4) When the TF bit = "1" its value is retained until it is cleared to zero.
- (5) If the TIE bit = "1" when a fixed-cycle timer interrupt occurs, /INT pin output goes low.
 - * If the TIE bit = "0" when a fixed-cycle timer interrupt occurs, /INT pin output remains Hi-Z.
- (6) Output from the /INT pin remains low during the tRTN period following each event, after which it is automatically cleared to Hi-Z status.
 - * /INT is again set low when the next interrupt event occurs.
- (7) When a "0" is written to the TE bit, the fixed-cycle timer function is stopped and the /INT pin is set to Hi-Z status.
 - * When /INT = low, the fixed-cycle timer function is stopped. The tRTN period is the maximum amount of time before the /INT pin status changes from low to Hi-Z.
- (8) As long as /INT = low, the /INT pin status does not change when the TF bit value changes from "1" to "0".
- (9) When /INT = low, the /INT pin status changes from low to Hi-Z as soon as the TIE bit value changes from "1" to "0".

8.3.2. Related registers for function of time update interrupts.

Address	Function	bit 7	bit 6	bit 5	bit 4	bit 3	bit 2	bit 1	bit 0
0B, 1B	Timer Counter 0	128	64	32	16	8	4	2	1
0C, 1C	Timer Counter 1	•	•	•	•	2048	1024	512	256
0D, 1D	Extension Register	TEST	WADA	USEL	TE	FSEL1	FSEL0	TSEL1	TSEL0
0E, 1E	Flag Register	○	○	UF	TF	AF	EVF	VLF	VDET
0F, 1F	Control Register	CSEL1	CSEL0	UIE	TIE	AIE	EIE	○	RESET

*1) "o" indicates write-protected bits. A zero is always read from these bits.

*2) Bits marked with "•" are RAM bits that can contain any value and are read/write-accessible.

* Before entering settings for operations, we recommend writing a "0" to the TE and TIE bits to prevent hardware interrupts from occurring inadvertently while entering settings.

* When the STOP bit or RESET bit value is "1" the time update interrupt function operates only partially. (Operation continues if the source clock setting is 4096 Hz. Otherwise, operation is stopped.)

* When the fixed-cycle timer interrupt function is not being used, the fixed-cycle timer control register (Reg – B to C) can be used as a RAM register. In such cases, stop the fixed-cycle timer function by writing "0" to the TE and TIE bits.

1) TSEL0,1 bits (Timer Select 0, 1)

The combination of these two bits is used to set the countdown period (source clock) for the fixed-cycle timer interrupt function (four settings can be made).

TSEL0,1	TSEL1 (bit 1)	TSEL0 (bit 0)	Source clock	Auto reset time tRTN	Effects of RESET bits
Write/Read	0	0	4096 Hz /Once per 244.14 μs	122 μs	–
	0	1	64 Hz / Once per 15.625 ms	7.8125 ms	* Does not operate when the RESET bit value is "1".
	1	0	"Second" update /Once per second	7.8125 ms	
	1	1	"Minute" update /Once per minute	7.8125 ms	

*1) The /INT pin's auto reset time (tRTN) varies as shown above according to the source clock setting.

*2) When the source clock has been set to "second update" or "minute update", the timing of both countdown and interrupts is coordinated with the clock update timing.

2) Fixed-cycle Timer Control register (Reg - B to C)

This register is used to set the default (preset) value for the counter. Any count value from 1 (001 h) to 4095 (FFFh) can be set. The counter counts down based on the source clock's period, and when the count value changes from 001h to 000h, the TF bit value becomes "1".

The countdown that starts when the TE bit value changes from "0" to "1" always begins from the preset value. Be sure to write "0" to the TE bit before writing the preset value. If a value is written while TE = "1" the first subsequent event will not be generated correctly.

Address C Timer Counter 1								Address B Timer Counter 0							
bit 7	bit 6	bit 5	bit 4	bit 3	bit 2	bit 1	bit 0	bit 7	bit 6	bit 5	bit 4	bit 3	bit 2	bit 1	bit 0
•	•	•	•	2048	1024	512	256	128	64	32	16	8	4	2	1

3) TE (Timer Enable) bit

This bit controls the start/stop setting for the fixed-cycle timer interrupt function.

TE	Data	Description
Write/Read	0	Stops fixed-cycle timer interrupt function.
	1	Starts fixed-cycle timer interrupt function. * The countdown that starts when the TE bit value changes from "0" to "1" always begins from the preset value.

4) TF (Timer Flag) bit

If set to "0" beforehand, this flag bit's value changes from "0" to "1" when a fixed-cycle timer interrupt event has occurred. Once this flag bit's value is "1", its value is retained until a "0" is written to it.

TF	Data	Description
Write	0	The TF bit is cleared to zero to prepare for the next status detection * Clearing this bit to zero does not enable the /INT low output status to be cleared (to Hi-Z).
	1	This bit is invalid after a "1" has been written to it.
Read	0	Fixed-cycle timer interrupt events are not detected.
	1	Fixed-cycle timer interrupt events are detected. (Result is retained until this bit is cleared to zero.)

5) TIE (Timer Interrupt Enable) bit

When a fixed-cycle timer interrupt event occurs (when the TF bit value changes from "0" to "1"), this bit's value specifies whether an interrupt signal is generated (/INT status changes from Hi-Z to low) or is not generated (/INT status remains Hi-Z).

TIE	Data	Description
Write/Read	0	1) When a fixed-cycle timer interrupt event occurs, an interrupt signal is not generated or is canceled (/INT status remains Hi-Z). 2) When a fixed-cycle timer interrupt event occurs, the interrupt signal is canceled (/INT status changes from low to Hi-Z). * Even when the TIE bit value is "0" another interrupt event may change the /INT status to low (or may hold /INT = "L").
	1	When a fixed-cycle timer interrupt event occurs, an interrupt signal is generated (/INT status changes from Hi-Z to low). * When a fixed-cycle timer interrupt event has been generated low-level output from the /INT pin occurs only when the value of the control register's TIE bit is "1". Up to 7.8 ms after the interrupt occurs, the /INT status is automatically cleared (/INT status changes from low to Hi-Z).

8.3.3. Fixed-cycle timer interrupt interval (example)

Timer Counter setting	Source clock			
	4096 Hz TSEL1,0 = 0,0	64 Hz TSEL1,0 = 0,1	"Second" update TSEL1,0 = 1,0	"Minute" update TSEL1,0 = 1,1
0	–	–	–	–
1	244.14 μs	15.625 ms	1 s	1 min
2	488.28 μs	31.25 ms	2 s	2 min
⋮	⋮	⋮	⋮	⋮
41	10.010 ms	640.63 ms	41 s	41 min
205	50.049 ms	3.203 s	205 s	205 min
410	100.10 ms	6.406 s	410 s	410 min
2048	500.00 ms	32.000 s	2048 s	2048 min
⋮	⋮	⋮	⋮	⋮
4095	0.9998 s	63.984 s	4095 s	4095 min

• Time error in fixed-cycle timer

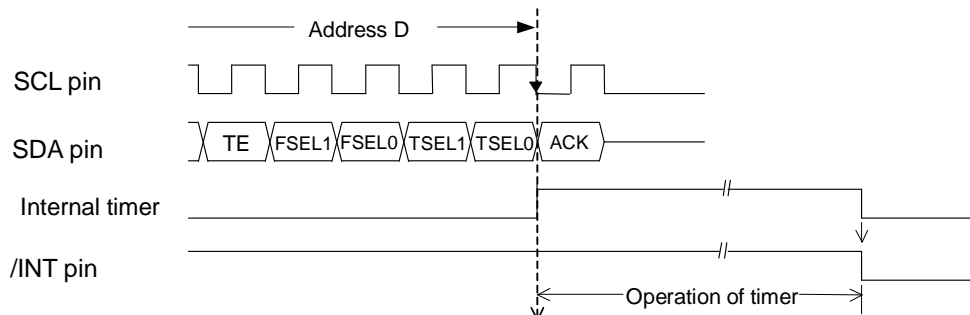
A time error in the fixed-cycle timer will produce a positive or negative time period error in the selected source clock. The fixed-cycle timer's time is within the following range relative to the time setting.

(Fixed-cycle timer's time setting (*) – source clock period) to (timer's time setting)
 *) The timer's time setting = source clock period × timer counter's division value.

* The time actually set to the timer is adjusted by adding the time described above to the communication time for the serial data transfer clock used for the setting.

8.3.4. Fixed-cycle timer start timing

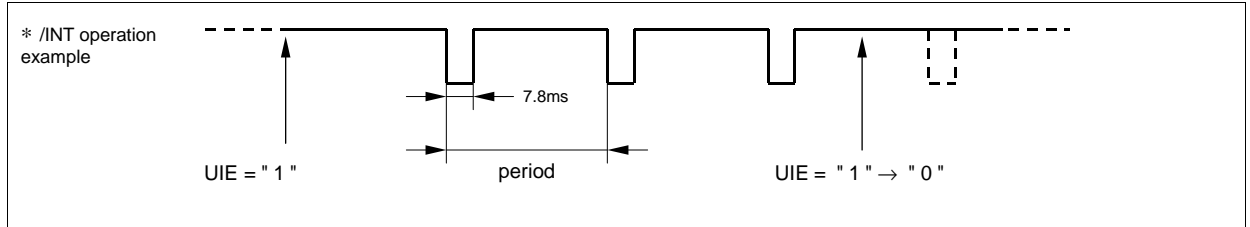
Counting down of the fixed-cycle timer value starts at the rising edge of the SCL signal that occurs when the TE value is changed from "0" to "1" (after bit 0 is transferred).



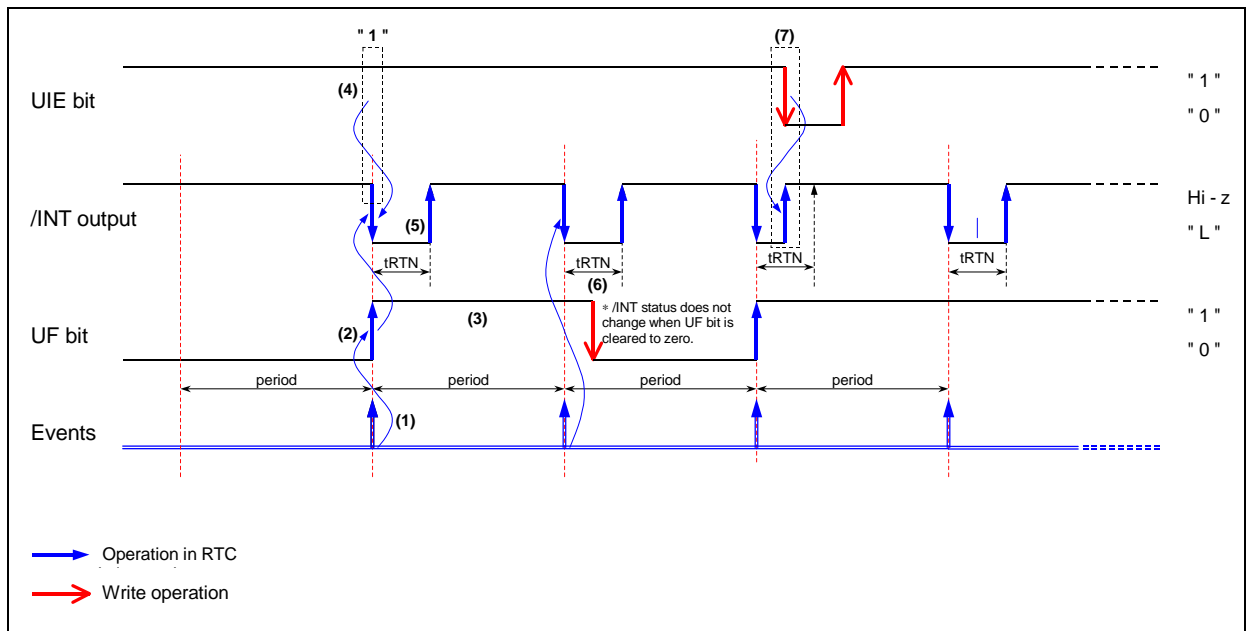
8.4. Time Update Interrupt Function

The time update interrupt function generates interrupt events at one-second or one-minute intervals, according to the timing of the internal clock.

When an interrupt event occurs, the UF bit value becomes "1" and the /INT pin goes to low level to indicate that an event has occurred. (However, when a fixed-cycle timer interrupt event has been generated, low-level output from the /INT pin occurs only when the value of the control register's UIE bit is "1". This /INT status is automatically cleared (/INT status changes from low level to Hi-Z) 7.8 ms (fixed value) after the interrupt occurs.



8.4.1. Time update interrupt function diagram



- (1) A time update interrupt event occurs when the internal clock's value matches either the second update time or the minute update time. The USEL bit's specification determines whether it is the second update time or the minute update time that must be matched.
- (2) When a time update interrupt event occurs, the UF bit value becomes "1".
- (3) When the UF bit value is "1" its value is retained until it is cleared to zero.
- (4) When a time update interrupt occurs, /INT pin output is low if UIE = "1".
* If UIE = "0" when a timer update interrupt occurs, the /INT pin status remains Hi-Z.
- (5) Each time an event occurs, /INT pin output is low only up to the tRTN time (which is fixed as 7.1825 ms for time update interrupts) after which it is automatically cleared to Hi-Z.
* /INT pin output goes low again when the next interrupt event occurs.
- (6) As long as /INT = low, the /INT pin status does not change, even if the UF bit value changes from "1" to "0".
- (7) When /INT = low, the /INT pin status changes from low to Hi-Z as soon as the UIE bit value changes from "1" to "0".

8.4.2. Related registers for time update interrupt functions.

Address	Function	bit 7	bit 6	bit 5	bit 4	bit 3	bit 2	bit 1	bit 0
0D, 1D	Extension Register	TEST	WADA	USEL	TE	FSEL1	FSEL0	TSEL1	TSEL0
0E, 1E	Flag Register	○	○	UF	TF	AF	○	VLF	VDET
0F, 1F	Control Register	CSEL1	CSEL0	UIE	TIE	AIE	○	○	RESET

*) "o" indicates write-protected bits. A zero is always read from these bits.

* Before entering settings for operations, we recommend writing a "0" to the UIE bit to prevent hardware interrupts from occurring inadvertently while entering settings.

* When the RESET bit value is "1" time update interrupt events do not occur.

* Although the time update interrupt function cannot be fully stopped, if "0" is written to the UIE bit, the time update interrupt function can be prevented from changing the /INT pin status to low.

1) USEL (Update Interrupt Select) bit

This bit is used to select "second" update or "minute" update as the timing for generation of time update interrupt events.

USEL	Data	Description
Write/Read	0	Selects "second update" (once per second) as the timing for generation of interrupt events
	1	Selects "minute update" (once per minute) as the timing for generation of interrupt events

2) UF (Update Flag) bit

Once it has been set to "0", this flag bit value changes from "0" to "1" when a time update interrupt event occurs. When this flag bit = "1" its value is retained until a "0" is written to it.

UF	Data	Description
Write	0	The UF bit is cleared to zero to prepare for the next status detection * Clearing this bit to zero does not enable the /INT low output status to be cleared (to Hi-Z).
	1	This bit is invalid after a "1" has been written to it.
Read	0	Time update interrupt events are not detected.
	1	Time update interrupt events are detected. (The result is retained until this bit is cleared to zero.)

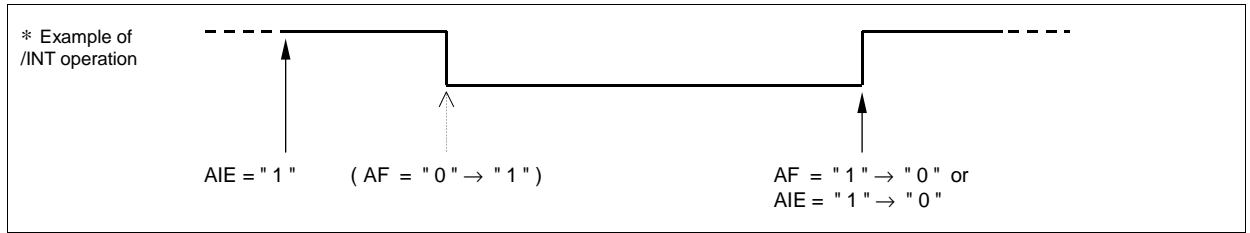
3) UIE (Update Interrupt Enable) bit

When a time update interrupt event occurs (UF bit value changes from "0" to "1"), this bit selects whether to generate an interrupt signal (/INT status changes from Hi-Z to low) or to not generate it (/INT status remains Hi-Z).

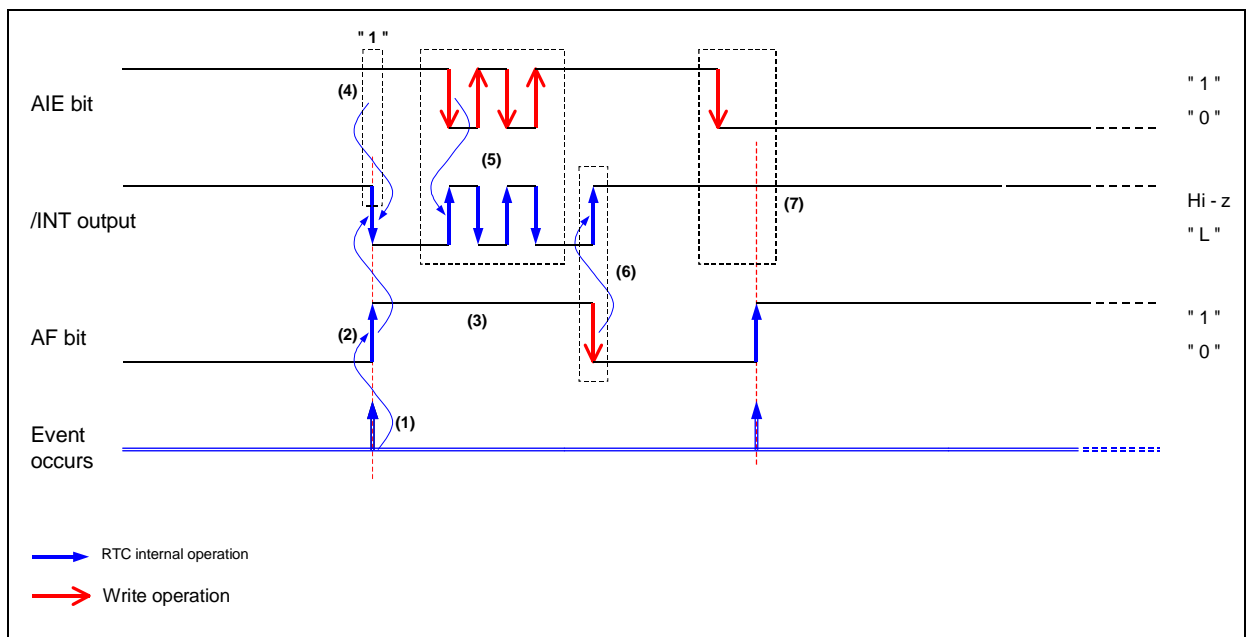
UIE	Data	Description
Write/Read	0	1) Does not generate an interrupt signal when a time update interrupt event occurs (/INT remains Hi-Z) 2) Cancels interrupt signal triggered by time update interrupt event (/INT changes from low to Hi-Z). * Even when the UIE bit value is "0" another interrupt event may change the /INT status to low (or may hold /INT = "L").
	1	When a time update interrupt event occurs, an interrupt signal is generated (/INT status changes from Hi-Z to low). * When a time update interrupt event occurs, low-level output from the /INT pin occurs only when the UIE bit value is "1". Up to 7.8 ms after the interrupt occurs, the /INT status is automatically cleared (/INT status changes from low to Hi-Z).

8.5. Alarm Interrupt Function

The alarm interrupt generation function generates interrupt events for alarm settings such as date, day, hour, and minute settings.
 When an interrupt event occurs, the AF bit value is set to "1" and the /INT pin goes to low level to indicate that an event has occurred.



8.4.1. Diagram of alarm interrupt function



- (1) The hour, minute, date or day when an alarm interrupt event is to occur is set in advance along with the WADA bit, and when the setting matches the current time an interrupt event occurs.
 (Note) Even if the current date/time is used as the setting, the alarm will not occur until the counter counts up to the current date/time (i.e., an alarm will occur next time, not immediately).
- (2) When a time update interrupt event occurs, the AF bit values becomes "1".
- (3) When the AF bit = "1", its value is retained until it is cleared to zero.
- (4) If AIE = "1" when an alarm interrupt occurs, the /INT pin output goes low.
 * When an alarm interrupt event occurs, /INT pin output goes low, and this status is then held until it is cleared via the AF bit or AIE bit.
- (5) If the AIE value is changed from "1" to "0" while /INT is low, the /INT status immediately changes from low to Hi-Z. After the alarm interrupt occurs and before the AF bit value is cleared to zero, the /INT status can be controlled via the AIE bit.
- (6) If the AF bit value is changed from "1" to "0" while /INT is low, the /INT status immediately changes from low to Hi-Z.
- (7) If the AIE bit value is "0" when an alarm interrupt occurs, the /INT pin status remains Hi-Z.

8.5.2. Related registers

Address	Function	bit 7	bit 6	bit 5	bit 4	bit 3	bit 2	bit 1	bit 0
01, 12	MIN	○	40	20	10	8	4	2	1
02, 13	HOUR	○	○	20	10	8	4	2	1
03, 14	WEEK	○	6	5	4	3	2	1	0
04, 15	DAY	○	○	20	10	8	4	2	1
08, 18	MIN Alarm	AE	40	20	10	8	4	2	1
09, 19	HOUR Alarm	AE	●	20	10	8	4	2	1
0A, 1A	WEEK Alarm	AE	6	5	4	3	2	1	0
	DAY Alarm		●	20	10	8	4	2	1
0D, 1D	Extension Register	TEST	WADA	USEL	TE	FSEL1	FSEL0	TSEL1	TSEL0
0E, 1E	Flag Register	○	○	UF	TF	AF	○	VLF	VDET
0F, 1F	Control Register	CSEL1	CSEL0	UIE	TIE	AIE	○	○	RESET

*1) "o" indicates write-protected bits. A zero is always read from these bits.

*2) Bits marked with "●" are RAM bits that can contain any value and are read/write-accessible.

* Before entering settings for operations, we recommend writing a "0" to the AIE bit to prevent hardware interrupts from occurring inadvertently while entering settings.

* When the RESET bit value is "1" alarm interrupt events do not occur.

* When the alarm interrupt function is not being used, the Alarm registers (Reg - 8 to A) can be used as a RAM register. In such cases, be sure to write "0" to the AIE bit.

* When the AIE bit value is "1" and the Alarm registers (Reg - 8 to A) is being used as a RAM register, /INT may be changed to low level unintentionally.

1) WADA (Week Alarm /Day Alarm) bit

The alarm interrupt function uses either "Day" or "Week" as its target. The WADA bit is used to specify either WEEK or DAY as the target for alarm interrupt events.

WADA	Data	Description
Write/Read	0	Sets WEEK as target of alarm function (DAY setting is ignored)
	1	Sets DAY as target of alarm function (WEEK setting is ignored)

2) Alarm registers

Address	Function	bit 7	bit 6	bit 5	bit 4	bit 3	bit 2	bit 1	bit 0
08	MIN Alarm	AE	40	20	10	8	4	2	1
09	HOUR Alarm	AE	●	20	10	8	4	2	1
0A	WEEK Alarm	AE	6	5	4	3	2	1	0
	DAY Alarm		●	20	10	8	4	2	1

The hour, minute, date or day when an alarm interrupt event will occur is set using this register and the WADA bit.

In the WEEK alarm /Day alarm register (Reg - A), the setting selected via the WADA bit determines whether WEEK alarm data or DAY alarm data will be set. If WEEK has been selected via the WADA bit, multiple days can be set (such as Monday, Wednesday, Friday, Saturday).

When the settings made in the alarm registers and the WADA bit match the current time, the AF bit value is changed to "1". At that time, if the AIE bit value has already been set to "1", the /INT pin goes low.

*1) The register that "1" was set to "AE" bit, doesn't compare alarm.

(Example) Write 80h (AE = "1") to the WEEK Alarm /DAY Alarm register (Reg - A):

Only the hour and minute settings are used as alarm comparison targets. The week and date settings are not used as alarm comparison targets.

As a result, alarm occurs if only an hour and minute accords with alarm data.

*2) If all three AE bit values are "1" the week/date settings are ignored and an alarm interrupt event will occur once per minute.

3) AF (Alarm Flag) bit

When this flag bit value is already set to "0", occurrence of an alarm interrupt event changes it to "1". When this flag bit value is "1", its value is retained until a "0" is written to it.

AF	Data	Description
Write	0	The AF bit is cleared to zero to prepare for the next status detection * Clearing this bit to zero enables /INT low output to be canceled (/INT remains Hi-Z) when an alarm interrupt event has occurred.
	1	This bit is invalid after a "1" has been written to it.
Read	0	Alarm interrupt events are not detected.
	1	Alarm interrupt events are detected. (Result is retained until this bit is cleared to zero.)

4) AIE (Alarm Interrupt Enable) bit

When an alarm interrupt event occurs (when the AF bit value changes from "0" to "1"), this bit's value specifies whether an interrupt signal is generated (/INT status changes from Hi-Z to low) or is not generated (/INT status remains Hi-Z).

AIE	Data	Description
Write/Read	0	1) When an alarm interrupt event occurs, an interrupt signal is not generated or is canceled (/INT status remains Hi-Z). 2) When an alarm interrupt event occurs, the interrupt signal is canceled (/INT status changes from low to Hi-Z). * Even when the AIE bit value is "0" another interrupt event may change the /INT status to low (or may hold /INT = "L").
	1	When an alarm interrupt event occurs, an interrupt signal is generated (/INT status changes from Hi-Z to low). * When an alarm interrupt event occurs, low-level output from the /INT pin occurs only when the AIE bit value is "1". This value is retained (not automatically cleared) until the AF bit is cleared to zero.

8.5.2. Examples of alarm settings

1) Example of alarm settings when "Day" has been specified (and WADA bit = "0")

Day is specified WADA bit = "0"	Reg - A								Reg - 9	Reg - 8
	bit 7 AE	bit 6 S	bit 5 F	bit 4 T	bit 3 W	bit 2 T	bit 1 M	bit 0 S	HOUR Alarm	MIN Alarm
Monday through Friday, at 7:00 AM * Minute value is ignored	0	0	1	1	1	1	1	0	07 h	80 h ~ FF h
Every Saturday and Sunday, for 30 minutes each hour * Hour value is ignored	0	1	0	0	0	0	0	1	80 h ~ FF h	30 h
Every day, at 6:59 AM	1	X	X	X	X	X	X	X	18 h	59 h

X: Don't care

2) Example of alarm settings when "Day" has been specified (and WADA bit = "1")

Day is specified WADA bit = "1"	Reg - A								Reg - 9	Reg - 8
	bit 7 AE	bit 6 •	bit 5 20	bit 4 10	bit 3 08	bit 2 04	bit 1 02	bit 0 01	HOUR Alarm	MIN Alarm
First of each month, at 7:00 AM * Minute value is ignored	0	0	0	0	0	0	0	1	07 h	80 h ~ FF h
15 th of each month, for 30 minutes each hour * Hour value is ignored	0	0	0	1	0	1	0	1	80 h ~ FF h	30 h
Every day, at 6:59 PM	1	X	X	X	X	X	X	X	18 h	59 h

X: Don't care

8.6. About the interrupt function for operation /INT="L" interrupt output.

- 1) How to identify events when the interrupt output occurred.
 /INT output pin is common output terminal of interrupt events of three types (Fixed-cycle timer Time interrupt , alarm interrupt, time update interrupt).
 When an interrupt occurs, please read the TF, AF, UF flag to confirm which types of events occurred.
- 2) Processing method when not using an interrupt output.
 1. Please be open to interrupt pin.
 2. Please set to "0" TIE, AIE, and UIE bit.

8.7. Temperature compensation function.

8.7.1. Temperature compensation function

Frequency compensation value for the oscillation circuit which matched with a value of a built-in temperature sensor by a shipment inspection process of our company is set by built-in memory. Oscillation frequency for a temperature change is compensated.
 This function cannot stop with the high operation voltage than temperature compensation operation voltage (VTEM).

8.7.2. Related registers for temperature compensation function

Address [h]	Function	bit 7	bit 6	bit 5	bit 4	bit 3	bit 2	bit 1	bit 0
0F,1F	Control Register	CSEL1	CSEL0	UIE	TIE	AIE	○	○	RESET

- 1) CSEL1, CSEL0 bit(Compensation Interval Select 1,0)
 This bit sets an interval of a temperature compensation operation.
 Consumption electric currents decrease by setting an operation interval of a temperature compensation circuit for a long time.
 CSEL1,0 is set at the time of initial power supply injection by ("0","1") .

CSEL1	CSEL0	Compensation Interval
0	0	0.5 s
0	1	2.0 s
1	0	10 s
1	1	30 s

Even if the power supply voltage falls than VTEM and a VDET bit is set to "1", a temperature compensation operation is performed afterwards when rose up the power supply voltage than VETM.

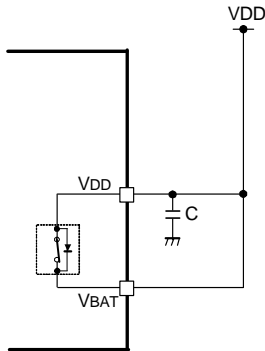
8.8. Battery backup switchover function

8.8.1. Description of Battery backup switchover function

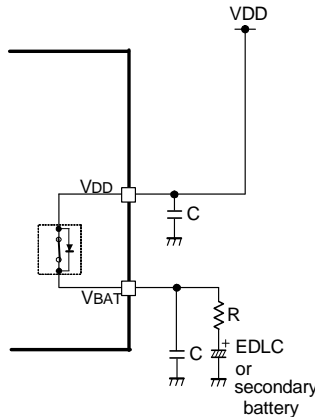
It consists of the power-source detector "VDET" which detect the power down of the main power source "VDD", and built-in MOS switches located between the main power-source pin "VDD" and the backup power supply pin "VBAT". In turning off a MOS switch according to the supply-voltage detection result of VDET, when an drive power source changes to VDD OFF ->VBAT (it shifts to a backup operation from a normal operation), it becomes possible to prevent a reverse-current (VBAT->VDD) of an electric current.

[Connection example]

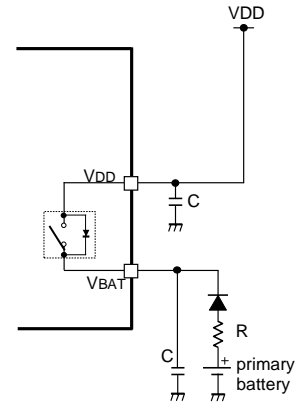
Ex.1 Not use a backup circuit



Ex.2 Connected a second battery



Ex.3 Connected a primary battery



[Connection example when not using the battery backup switchover function]

If you do not want to use the feature, please connect to both the VBAT pin and VDD pin main power.

If you have this connection, interface voltage is 1.6V to 5.5V.

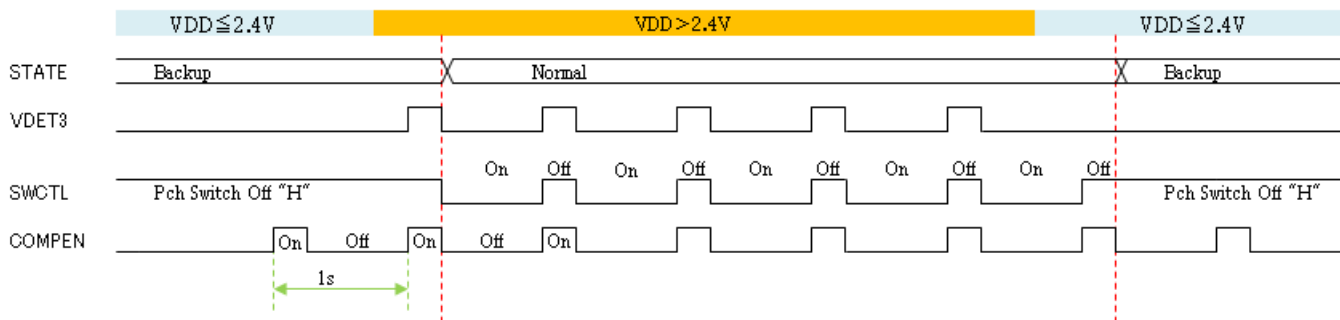
When a primary battery is used, configure of always SW-Open is recommended.

(VDETOFF and SWOFF = 1)

It is equal with a DIODE-OR circuit.

When the EDLC or secondary battery is used, configure SW-Close and periodical voltage monitor of VDD is recommended. (VDETOFF = 0)

8.8.2. Control the contents of the power switching



1) BACKUP state

PMOS switch is turned off at all times. Voltage detection VDET3 is responsible for monitoring every 1sec. This state will be selected at cold start. Make the voltage detection for the first time in 1sec after since it was powered on VDD pin. Until voltage detection for the first time, VBAT is charged in the forward current of the PMOS switch. In this state, the (VDET3 = L → H), main power supply (VDD) shifts to the NORMAL state of the drive state when it detects a rise VDET level. Return of the main power supply is detected, the internal voltage supply of the RTC will transition to NORMAL state.

2) NORMAL state

PMOS switch is turned off in every 1sec, power drop is detected in the off timing of the switch. Off time of the switch can be selected in the register. Drop of the main power supply is detected, an internal power supply voltage of the RTC will be backed up state transitions.

8.8.3. Function that can be used in the backup state

When operating in the backup, please $VDD = VSS = 0V$.

Function	Available /Not available	Remarks
Interface	Not available	Interface circuit can not operate.
Clock calendar	Available	The same as the main power supply operation
Alarm interrupt	Available	You can not use the interrupt output function.
Timer interrupt	Available	You can not use the interrupt output function.
Time update interrupt	Available	You can not use the interrupt output function.
Clock output	Not available	There is no output from terminal Fout pin.
VBAT Voltage drop detection	Available	The same as the main power supply operation
Temperature Compensation	Available	This function is Available when VBAT supply voltage is more than 2.0V

8.8.4. Notes on power switching function is used

1. Please make VDD = 0V, when you backup.

If the VDD voltage is lower than VACCSW(2), there is an unnecessary current flows through the input and output circuit. The transition to the backup from NORMAL state, please set to VDD = 0V promptly. Also, when returning from a backup, please set to VDD level of desired promptly.

2. Between the external battery and VBAT terminal, please set limits resistance.

3. Even after that became VDD = 0V, VDD voltage detection to the next period, VBAT-VDD between PMOS switch remains on. Because VDD voltage detection operate every second, between VBAT-VDD become a short-circuit condition about one second

8.8.5. Related registers of the backup power supply switching function

Address	Function	bit 7	bit 6	bit 5	bit 4	bit 3	bit 2	bit 1	bit 0
18	Backup Function	○	○	○	○	VDET OFF	SWOFF	BKSMP1	BKSMP0

VDETOFF	SWOFF	BKSMP1	BKSMP0	VDD monitor (VDET3)	SW ON/OFF	Remarks
0	-	0	0	Periodically ON 2msec	Periodically OFF 2msec	[default]
		0	1	Periodically ON 16msec	Periodically OFF 16msec	
		1	0	Periodically ON 128msec	Periodically OFF 128msec	
		1	1	Periodically ON 256msec	Periodically OFF 256msec	
1	0	-	-	Always OFF	Always ON	
1	1	-	-	Always OFF	Always OFF	

- ✓ An intermittence operation cycle: 1 time/Sec.
- ✓ When VDD monitor time is long, as for current consumption , it is increased.
- ✓ The system can select suitable monitor time in each of the system.
- ✓ VDETOFF,SWOFF = (1.0) This mode is use only VDD.
- ✓ VDETOFF,SWOFF = (1.1) This mode is equal with Diode-OR circuit .
- ✓ Please see also 8.8.1. Description of Battery backup switchover function

8.9. Reading/Writing Data via the I²C Bus Interface

8.9.1. Overview of I²C-BUS

The I²C bus supports bi-directional communications via two signal lines: the SDA (data) line and SCL (clock) line. A combination of these two signals is used to transmit and receive communication start/stop signals, data transfer signals, acknowledge signals, and so on.

Both the SCL and SDA signals are held at high level whenever communications are not being performed. The starting and stopping of communications is controlled at the rising edge or falling edge of SDA while SCL is at high level.

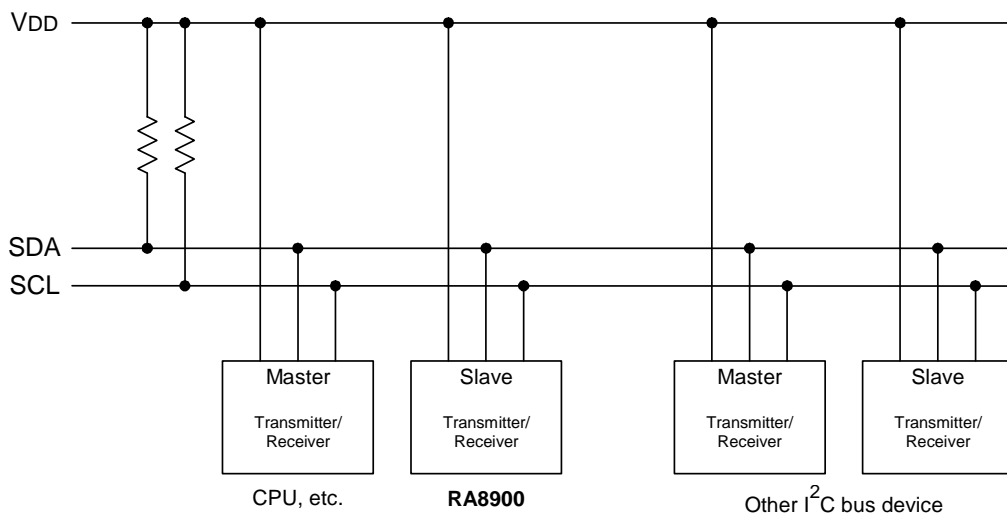
During data transfers, data changes that occur on the SDA line are performed while the SCL line is at low level, and on the receiving side the data is output while the SCL line is at high level.

The I²C bus device does not include a chip select pin such as is found in ordinary logic devices. Instead of using a chip select pin, slave addresses are allocated to each device and the receiving device responds to communications only when its slave address matches the slave address in the received data. In either case, the data is transferred via the SCL line at a rate of one bit per clock pulse.

8.9.2. System configuration

All ports connected to the I²C bus must be either open drain or open collector ports in order to enable AND connections to multiple devices.

SCL and SDA are both connected to the VDD line via a pull-up resistance. Consequently, SCL and SDA are both held at high level when the bus is released (when communication is not being performed).



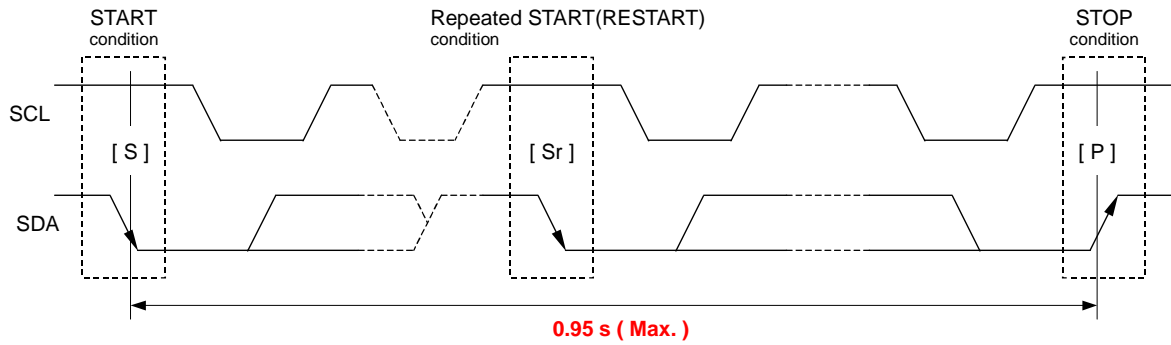
Any device that controls the data transmission and data reception is defined as a "Master".

and any device that is controlled by a master device is defined as a "Slave".

The device transmitting data is defined as a "Transmitter" and the device receiving data is defined as a receiver"

In the case of this RTC module, controllers such as a CPU are defined as master devices and the RTC module is defined as a slave device. When a device is used for both transmitting and receiving data, it is defined as either a transmitter or receiver depending on these conditions.

8.9.3. Starting and stopping I²C bus communications



1) START condition, repeated START condition, and STOP condition

(1) START condition

- The SDA level changes from high to low while SCL is at high level.

(2) STOP condition

- This condition regulates how communications on the I²C-BUS are terminated. The SDA level changes from low to high while SCL is at high level.

(3) Repeated START condition (RESTART condition)

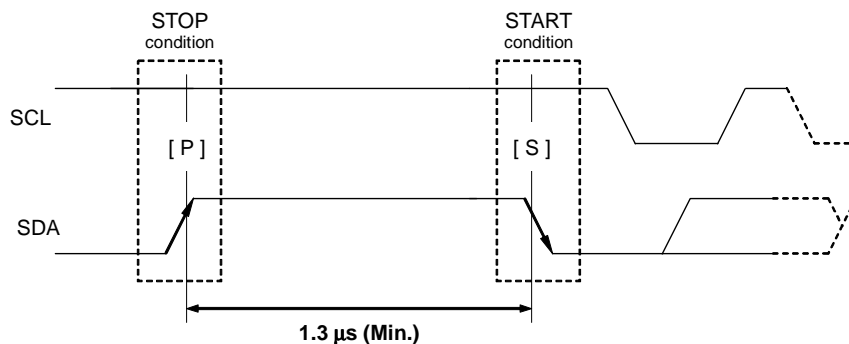
- In some cases, the START condition occurs between a previous START condition and the next STOP condition, in which case the second START condition is distinguished as a RESTART condition. Since the required status is the same as for the START condition, the SDA level changes from high to low while SCL is at high level.

2) Caution points

- *1) The master device always controls the START, RESTART, and STOP conditions for communications.
- *2) The master device does not impose any restrictions on the timing by which STOP conditions affect transmissions, so communications can be forcibly stopped at any time while in progress. (However, this is only when this RTC module is in receiver mode (data reception mode = SDA released).
- *3) When communicating with this RTC module, the series of operations from transmitting the START condition to transmitting the STOP condition should occur **within 0.95 seconds**. (A RESTART condition may be sent between a START condition and STOP condition, but even in such cases the series of operations from transmitting the START condition to transmitting the STOP condition should still occur **within 0.95 seconds**.)

If this series of operations requires **0.95 seconds or longer**, the I²C bus interface will be automatically cleared and set to standby mode by this RTC module's bus timeout function. Note with caution that both write and read operations are invalid for communications that occur during or after this auto clearing operation. (When the read operation is invalid, all data that is read has a value of "1"). Restarting of communications begins with transfer of the START condition again

- *4) When communicating with this RTC module, wait **at least 1.3 μs (see the tBUF rule)** between transferring a STOP condition (to stop communications) and transferring the next START condition (to start the next round of communications).



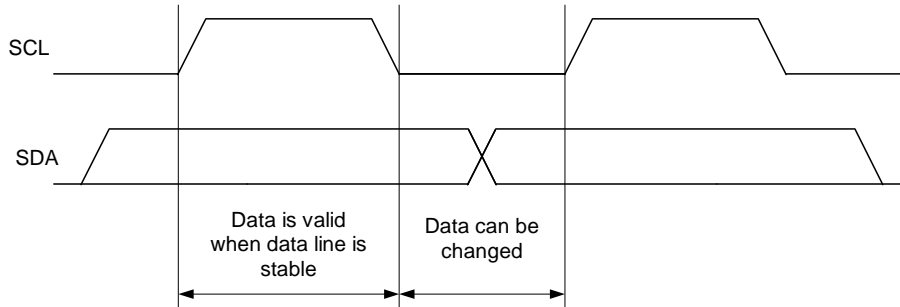
8.9.4. Data transfers and acknowledge responses during I²C-BUS communications

1) Data transfers

Data transfers are performed in 8-bit (1 byte) units once the START condition has occurred. There is no limit on the amount (bytes) of data that are transferred between the START condition and STOP condition. **(However, the transfer time must be no longer than 0.95 seconds.)**

The address auto increment function operates during both write and read operations. **After address Fh, incrementation goes to address 0h.**

Updating of data on the transmitter (transmitting side)'s SDA line is performed while the SCL line is at low level. The receiver (receiving side) receives data while the SCL line is at high level.

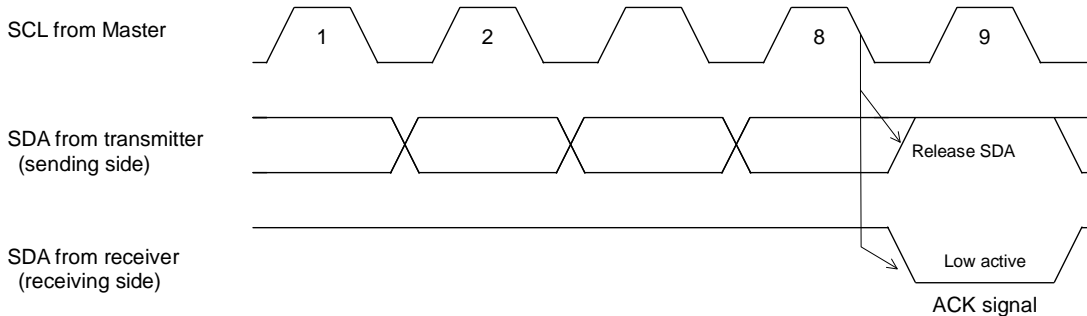


* Note with caution that if the SDA data is changed while the SCL line is at high level, it will be treated as a START, RESTART, or STOP condition.

2) Data acknowledge response (ACK signal)

When transferring data, the receiver generates a confirmation response (ACK signal, low active) each time an 8-bit data segment is received. If there is no ACK signal from the receiver, it indicates that normal communication has not been established. (This does not include instances where the master device intentionally does not generate an ACK signal.)

Immediately after the falling edge of the clock pulse corresponding to the 8th bit of data on the SCL line, the transmitter releases the SDA line and the receiver sets the SDA line to low (= acknowledge) level.



After transmitting the ACK signal, if the Master remains the receiver for transfer of the next byte, the SDA is released at the falling edge of the clock corresponding to the 9th bit of data on the SCL line. Data transfer resumes when the Master becomes the transmitter.

When the Master is the receiver, if the Master does not send an ACK signal in response to the last byte sent from the slave, that indicates to the transmitter that data transfer has ended. At that point, the transmitter continues to release the SDA and awaits a STOP condition from the Master.

8.9.5. Slave address

The I²C bus device does not include a chip select pin such as is found in ordinary logic devices. Instead of using a chip select pin, slave addresses are allocated to each device.

All communications begin with transmitting the [START condition] + [slave address (+ R/W specification)]. The receiving device responds to this communication only when the specified slave address it has received matches its own slave address.

Slave addresses have a fixed length of 7 bits. This RTC's slave address is **[0110 010*]**.

An R/W bit ("*" above) is added to each 7-bit slave address during 8-bit transfers.

	Transfer data	Slave address							R/W bit
		bit 7	bit 6	bit 5	bit 4	bit 3	bit 2	bit 1	bit 0
Read	65 h	0	1	1	0	0	1	0	1 (= Read)
Write	64 h	0	1	1	0	0	1	0	0 (= Write)

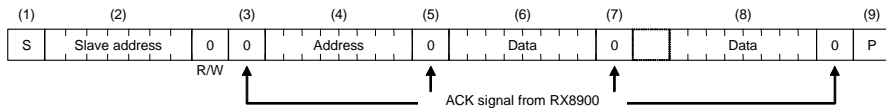
8.9.6. I²C bus protocol

In the following sequence descriptions, it is assumed that the CPU is the master and the RA8900 is the slave.

a. Address specification write sequence

Since the RA8900 includes an address auto increment function, once the initial address has been specified, the RA8900 increments (by one byte) the receive address each time data is transferred.

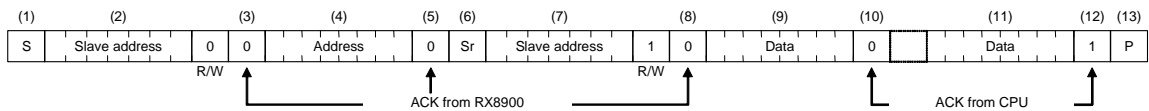
- (1) CPU transfers start condition [S].
- (2) CPU transmits the RA8900's slave address with the R/W bit set to write mode.
- (3) Check for ACK signal from RA8900.
- (4) CPU transmits write address to RA8900.
- (5) Check for ACK signal from RA8900.
- (6) CPU transfers write data to the address specified at (4) above.
- (7) Check for ACK signal from RA8900.
- (8) Repeat (6) and (7) if necessary. Addresses are automatically incremented.
- (9) CPU transfers stop condition [P].



b. Address specification read sequence

After using write mode to write the address to be read, set read mode to read the actual data.

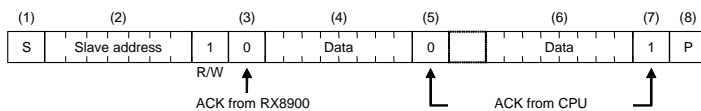
- (1) CPU transfers start condition [S].
- (2) CPU transmits the RA8900's slave address with the R/W bit set to write mode.
- (3) Check for ACK signal from RA8900.
- (4) CPU transfers address for reading from RA8900.
- (5) Check for ACK signal from RA8900.
- (6) CPU transfers RESTART condition [Sr] (in which case, CPU does not transfer a STOP condition [P]).
- (7) CPU transfers RA8900's slave address with the R/W bit set to read mode.
- (8) Check for ACK signal from RA8900 (from this point on, the CPU is the receiver and the RA8900 is the transmitter).
- (9) Data from address specified at (4) above is output by the RA8900.
- (10) CPU transfers ACK signal to RA8900.
- (11) Repeat (9) and (10) if necessary. Read addresses are automatically incremented.
- (12) CPU transfers ACK signal for "1".
- (13) CPU transfers stop condition [P].



c. Read sequence when address is not specified

Once read mode has been initially set, data can be read immediately. In such cases, the address for each read operation is the previously accessed address + 1.

- (1) CPU transfers start condition [S].
- (2) CPU transmits the RA8900's slave address with the R/W bit set to read mode.
- (3) Check for ACK signal from RA8900 (from this point on, the CPU is the receiver and the RA8900 is the transmitter).
- (4) Data is output from the RA8900 to the address following the end of the previously accessed address.
- (5) CPU transfers ACK signal to RA8900.
- (6) Repeat (4) and (5) if necessary. Read addresses are automatically incremented in the RA8900.
- (7) CPU transfers ACK signal for "1".
- (8) CPU transfers stop condition [P].

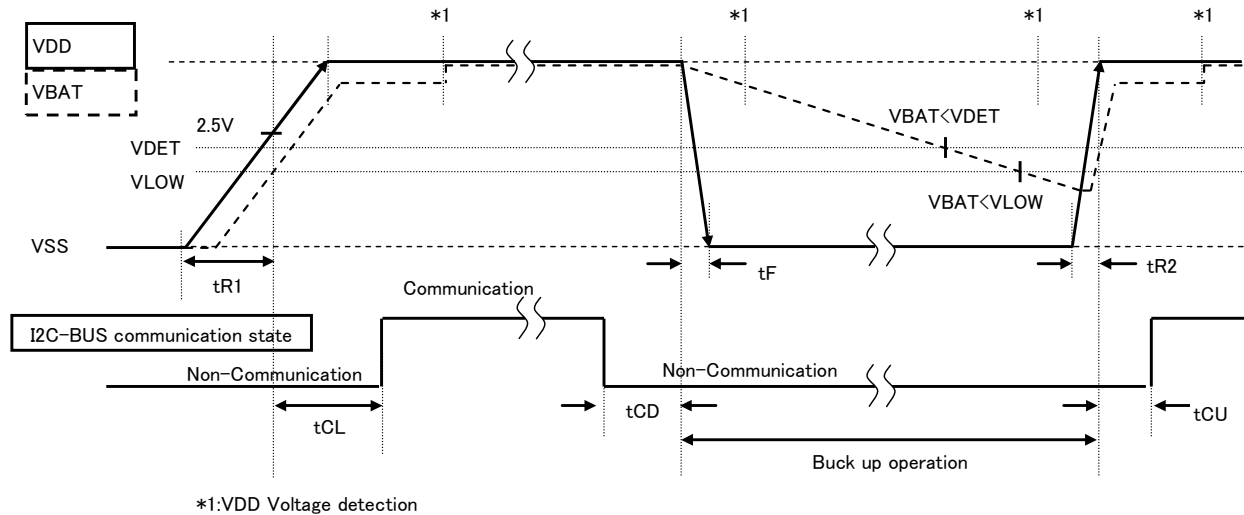


d. The address auto increment in Read/Write.

- (1) In Basic time and calendar register.
Address - - - - - 08 - 09 - 0A - 0B - 0C - 0D - 0E - 0F - 00 - 01 - 02 - -
- (2) In Extension register
Address - - - - - 18 - 19 - 1A - 1B - 1C - 1D - 1E - 1F - 10 - 11 - 12 - -

8.10. Backup and Recovery

- *This standard does not mean power supply noise tolerance. It is more than 60 seconds for a backup operation term.
- * tR1 is restrictions to validate power-on reset. When cannot keep this standard, power-on reset does not work normally. It is necessary to initial setting by the software command.
- *Repeated ON/OFF of the power supply in short term, the power-on reset becomes unstable. After power-OFF, keep a state of VDD=VBAT=GND more than 10 seconds to validate power-on reset. When it is impossible, please perform initial setting by the software command.
- * Before shifting to a backup operation, please transfer stop condition and finish communication



Item	Symbol	Condition	Min.	Typ.	Max.	Unit.
Detection voltage (1)	VDET	-	1.9	1.95	2.0	V
Detection voltage (2)	VLOW	-	1.16	-	1.6	V
Detection voltage (3)	VDET3	-	2.3	2.4	3.5	V
Power supply rise time1	tR1	VDD=VSS to 2.5V	1	-	10	ms / V
Access wait time (After initial power on)	tCL	After VDD=2.5V	30	-	-	ms
Access disable hold time	tCD	After stop condition	0	-	-	μs / V
Power supply fall time	tF	VDD=2.5V to VSS	2	-	-	μs / V
Power supply rise time2	tR2	VDD=VSS to 2.5V	15	-	-	μs / V
Access wait time (Normal power on)	tCU	After VDD=2.5V	0	-	-	μs

* :tR2 is specifications for an oscillation not to stop. Some clocks are not output by an FOUT terminal.

[Notes on using Battery backup switchover function]

- During a backup operation, please set VDD=0V. When the VDD voltage is less than V_{ACCSW}, electric currents of an input and output circuit may increase. In case of shifting a backup operation, please fall VDD to 0V immediately. In addition, in case of returning from backup, please set VDD to the desired voltage immediately.

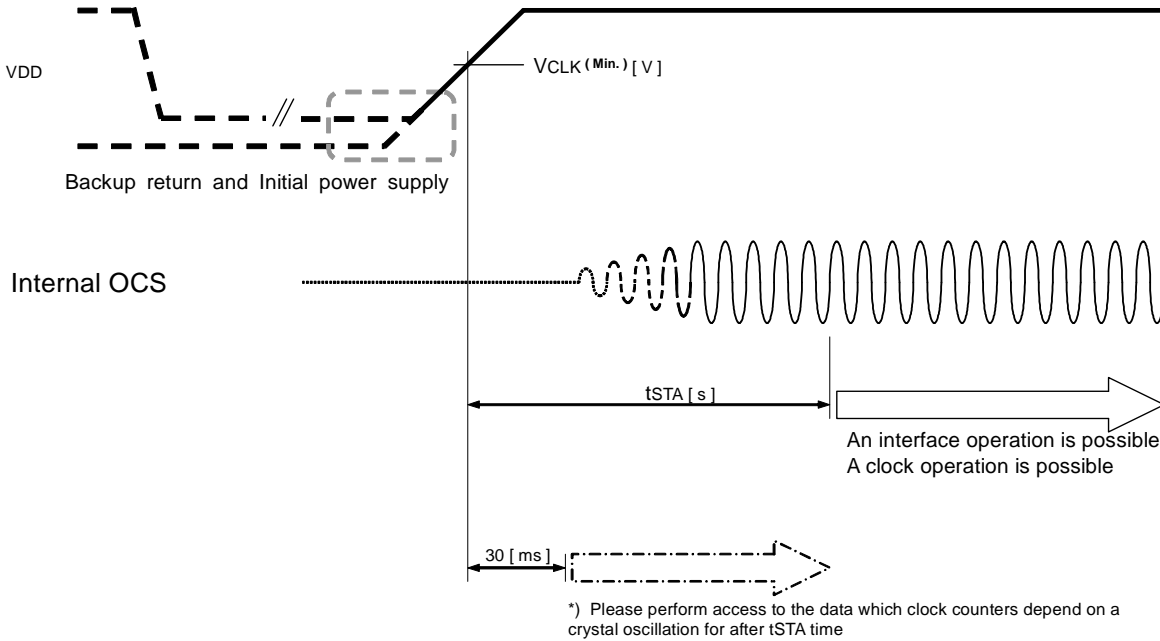
- Between a VBAT terminal and outside battery, please connect resistance for electric current restrictions
- After RTC shifted to backup operation, PMOS switch between VBAT-VDD maintains an on state until the next VDD voltage detection timing. Because VDD detection timing is every one second, VBAT-VDD becomes a short circuit state at the maximum for one second.
- It is not limited which of VDD and VBAT it supplies first.

8.11. About access at the time of backup return and Initial power supply

Because of most of RTC registers synchronize to an oscillation clock of a built-in crystal oscillator , RTC does not work normally in a without inside oscillation. Please perform initial setting at the time of power supply voltage return from the state that an oscillation stopped after progress in oscillation start time.

An access operation at the time of power supply voltage injection please be careful to the next points.

- 1) At the time of return from backup, please begin to read VLF-bit first.
- 2) When a reading result of VLF-bit is "1", please initialize all registers. Please perform initial setting after progress in the oscillation start time when inside oscillation is stable.
- 3) Access is prohibited till 30ms passes after surpassing bottom value of clock supply voltage (VDD = 1.6V).



- 4) If a reading result of VLF-bit is "0", user is accessible without waiting for oscillation start time.
- 5) Even if an internal crystal oscillator does not oscillate, I2C interface of RA8900 can communicate with other devices.

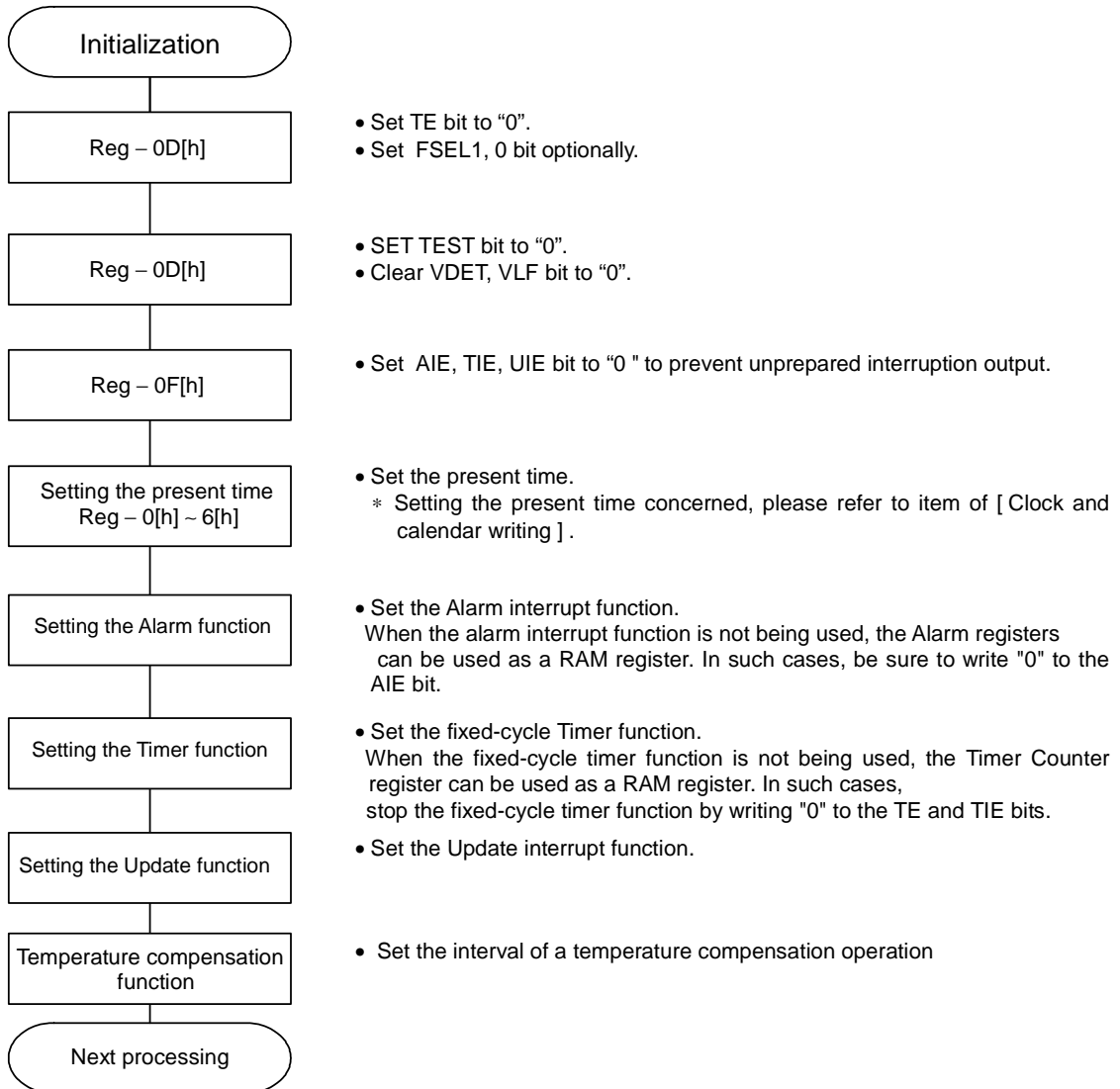
8.12. Flow chart

The following flow-chart is one instance.

Mention for easy understanding takes precedence over others; therefore there are some inefficient cases for the actual processing. If you wish to take more efficient process, perform some processes at the same time or try to confirm and adjust some part where is no hindered from transposing of operation procedure. (Unnecessary processing may be included in mentioned items according to conditions to use.

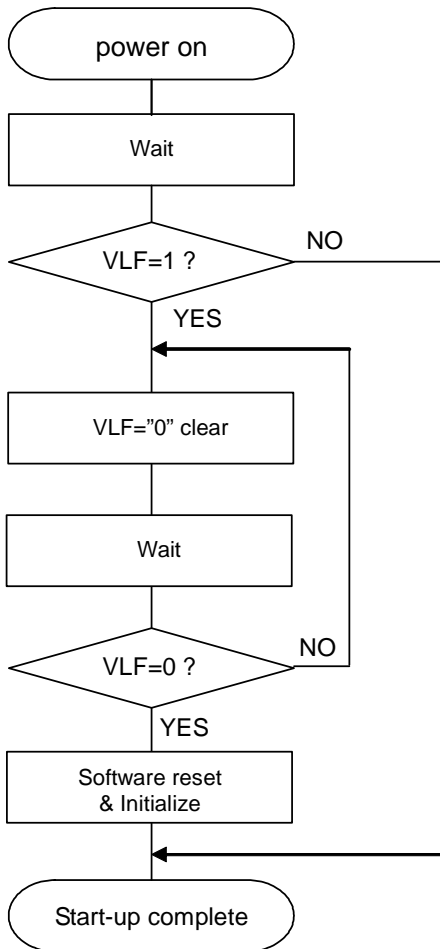
To get movement according to your expectation, please surely adjust according to conditions to use (use environment).

1) An example of the initialization
Ex.1 Initialize



2) Method of initialization after starting of internal oscillation

The Initialize is possible in 30ms since Internal VDD becomes higher than bottom value of clock supply voltage. Even in this case, after an internal oscillation begins, it is necessary to clear VLF= "0".



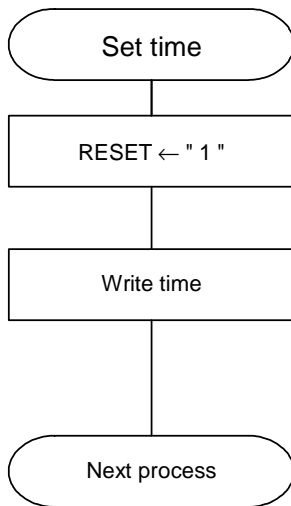
- Wait time of 30ms is necessary at least

- Whether it is a return from the state of the backup is confirmed.

- When an internal oscillation starts, 0 writing of VLF is approved.

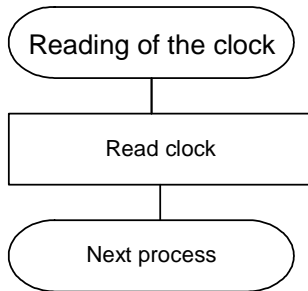
- Please set waiting time depending on load of a system optionally

3) The setting of a clock and calendar



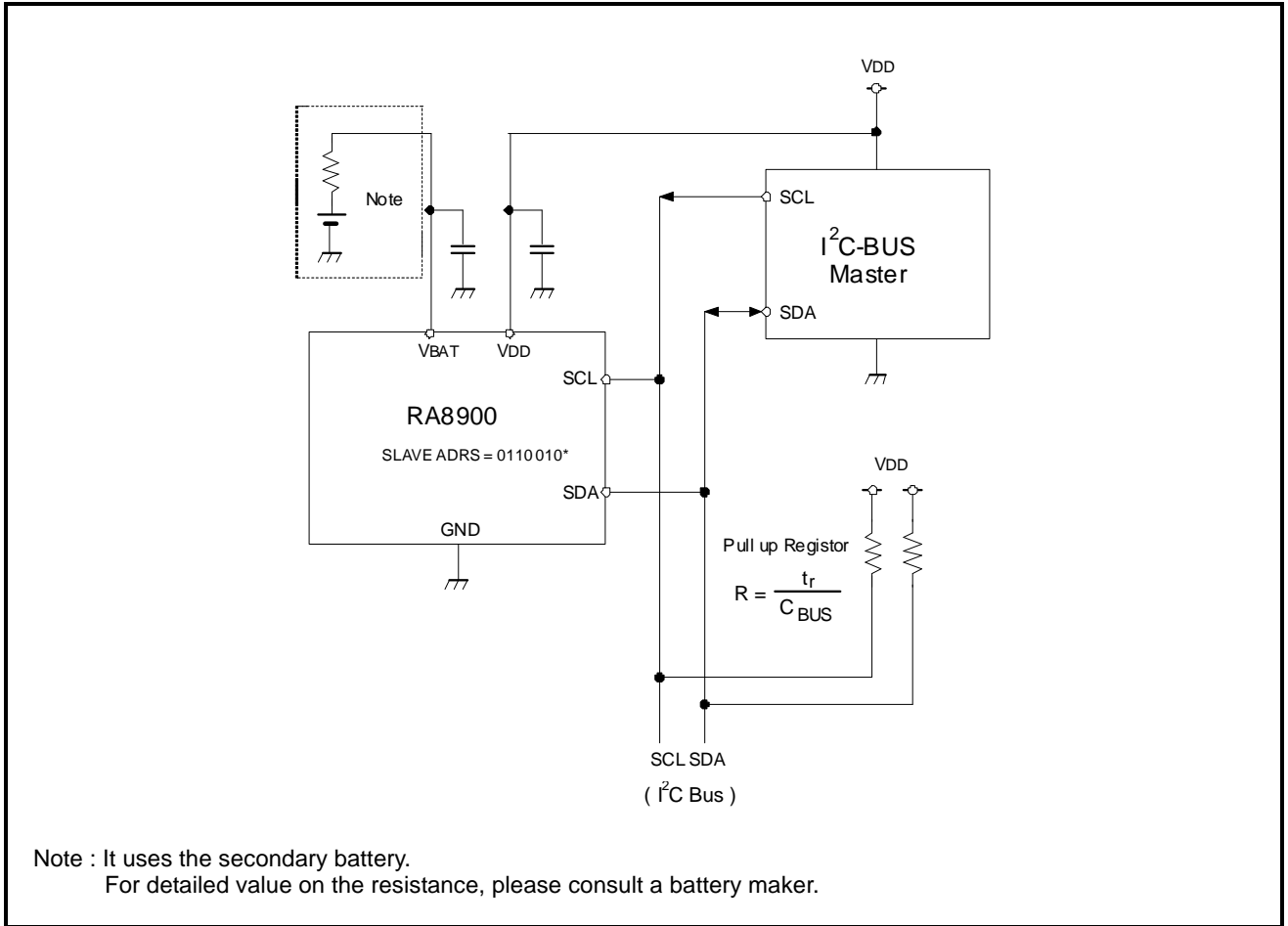
- Set RESET bit to "1" to prevent timer update in time setting.
- Write information of [year / month /date [day of the week] hour: minute: second] which is necessary to set (or reset). In case of initialization, please initialize all data.
- Please complete access within 0.95 seconds

4) The reading of a clock and calendar



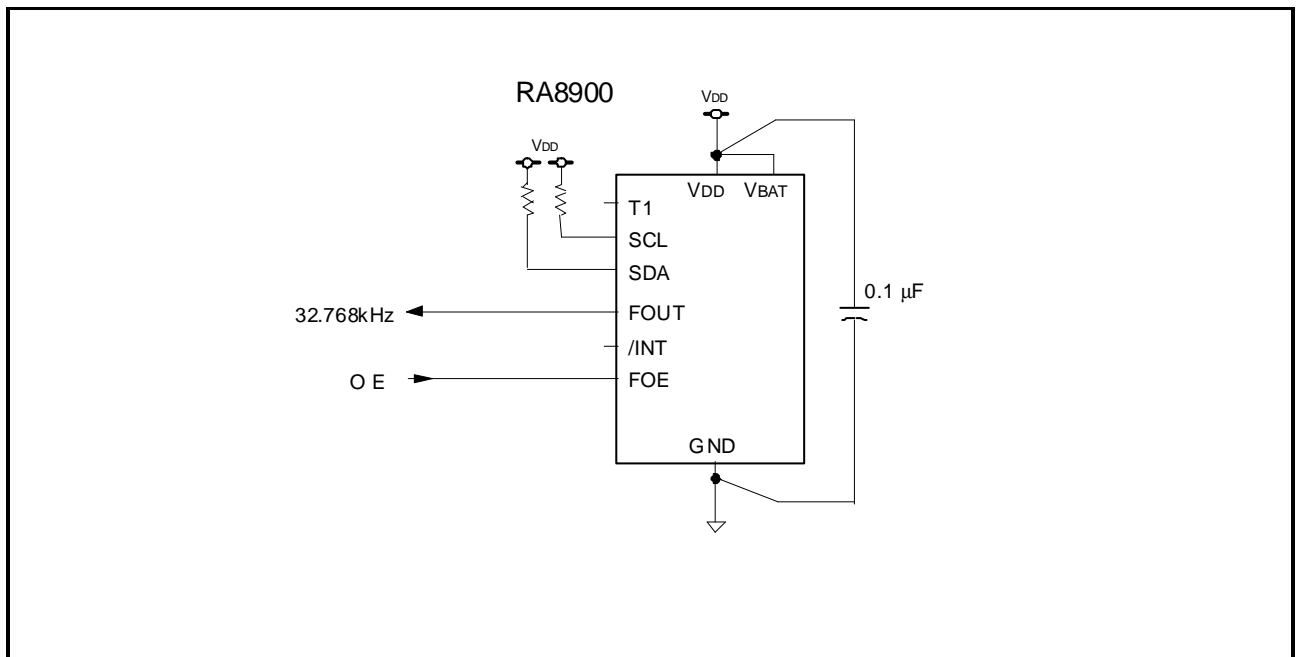
- Please complete access within 0.95 seconds
- At the time of a communication start, the Clock & Calendar data are fixed (hold the carry operation), and it is automatically revised at the time of the communication end.
- The access to a clock calendar recommends to have access to continuation by a auto increment function.

8.13. Connection with Typical Microcontroller



[Connection example not using Battery backup switchover function]
Please connect a main power supply to both VDD and VBAT terminals.
By this connection, an interface voltage range becomes 1.6V - 5.5V.

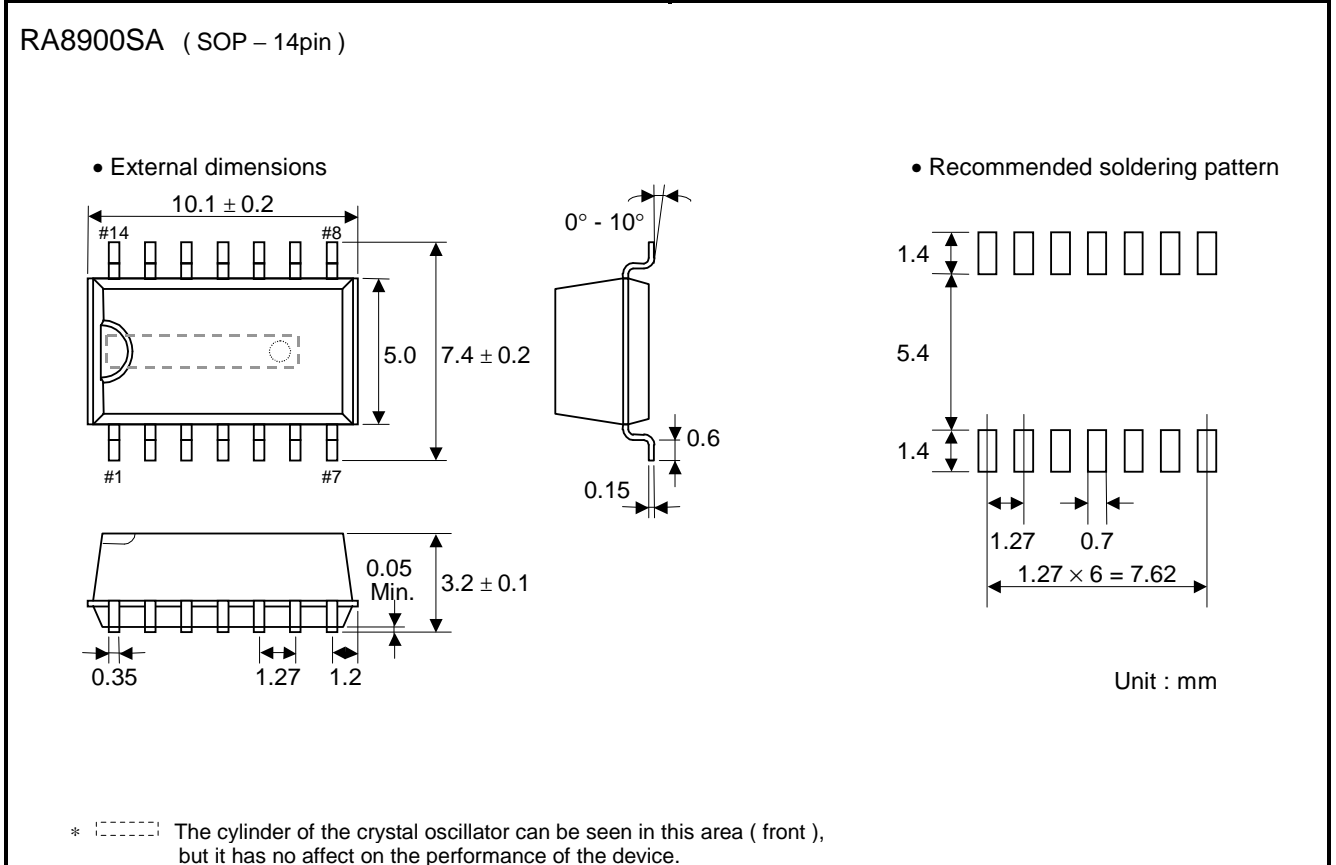
8.14. When used as a clock source (32 kHz-TCXO)



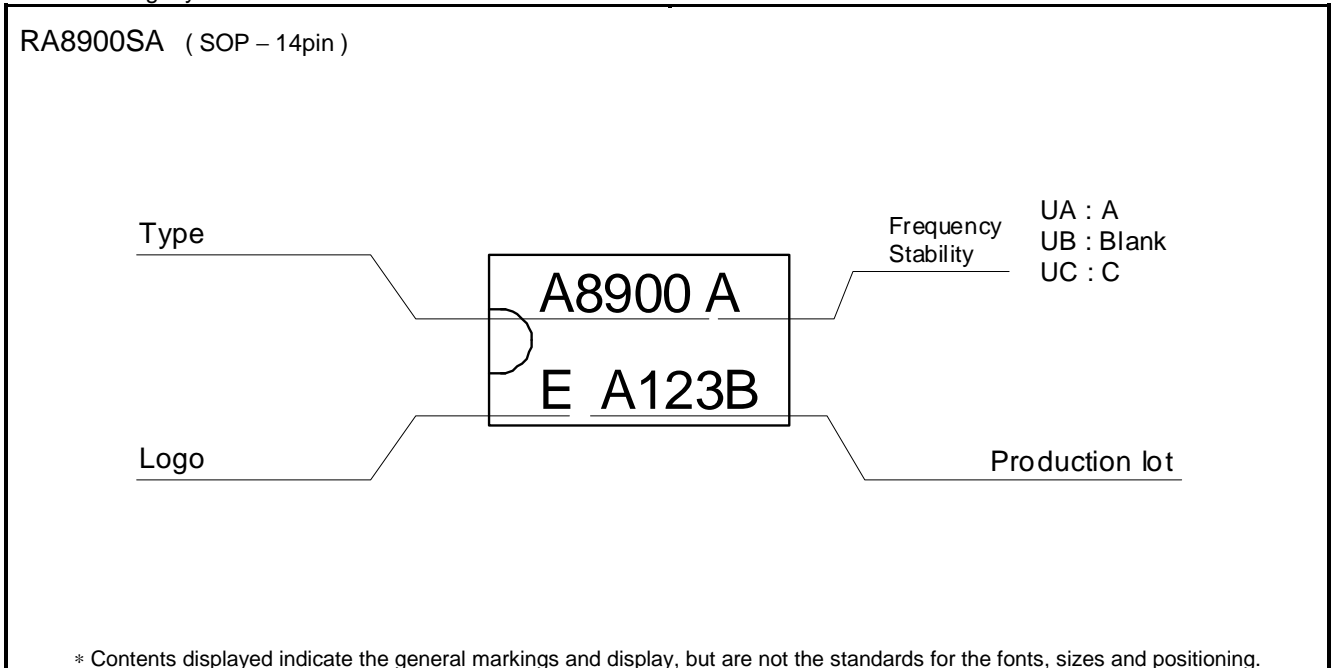
9. External Dimensions / Marking Layout

9.1. RA8900SA

9.1.1. External dimensions



9.1.2. Marking layout



9.2. RA8900CE

9.2.1. External dimensions

RA8900CE

- External dimensions
- Recommended soldering pattern

Unit : mm

The small metal part are used for test of crystal.
 These are on edge of a short side of package.(4points) Please assemble carefully not to let these metal parts short-circuit.
 In addition, please avoid short circuit between these metal parts by dew condensation or particle adhesion.

9.2.2. Marking layout

RA8900CE

Logo

Type

Frequency Stability

Production lot

#1 Pin Mark

UA : A
 UB : B
 UC : C

A8900 A

● A123B

* Contents displayed indicate the general markings and display, but are not the standards for the fonts, sizes and positioning.

10. Application notes

1) Notes on handling

This module uses a C-MOS IC to realize low power consumption. Carefully note the following cautions when handling.

(1) Static electricity

While this module has built-in circuitry designed to protect it against electrostatic discharge, the chip could still be damaged by a large discharge of static electricity. Containers used for packing and transport should be constructed of conductive materials. In addition, only soldering irons, measurement circuits, and other such devices which do not leak high voltage should be used with this module, which should also be grounded when such devices are being used.

(2) Noise

If a signal with excessive external noise is applied to the power supply or input pins, the device may malfunction or "latch up." In order to ensure stable operation, connect a filter capacitor (preferably ceramic) of greater than 0.1 μF as close as possible to the power supply pins (between VDD and GNDs). Also, avoid placing any device that generates high level of electronic noise near this module.

* Do not connect signal lines to the shaded area in the figure shown in Fig. 1 and, if possible, embed this area in a GND land.

(3) Voltage levels of input pins

When the input pins are at the mid-level, this will cause increased current consumption and a reduced noise margin, and can impair the functioning of the device. Therefore, please apply the voltage level close to VDD or GND.

(4) Handling of unused pins

Since the input impedance of the input pins is extremely high, operating the device with these pins in the open circuit state can lead to unstable voltage level and malfunctions due to noise. Therefore, please apply the voltage level close to VDD or GND.

(5) Installation of charged battery.

When a charged backup battery is installed by soldering, battery connection terminal of RTC should connect to GND, beforehand.

2) Notes on packaging

(1) Soldering heat resistance.

If the temperature within the package exceeds +260 °C, the characteristics of the crystal oscillator will be degraded and it may be damaged. The reflow conditions within our reflow profile is recommended. Therefore, always check the mounting temperature and time before mounting this device. Also, check again if the mounting conditions are later changed.

* See Fig. 2 profile for our evaluation of Soldering heat resistance for reference.

(2) Mounting equipment

While this module can be used with general-purpose mounting equipment, the internal crystal oscillator may be damaged in some circumstances, depending on the equipment and conditions. Therefore, be sure to check this. In addition, if the mounting conditions are later changed, the same check should be performed again.

(3) Ultrasonic cleaning

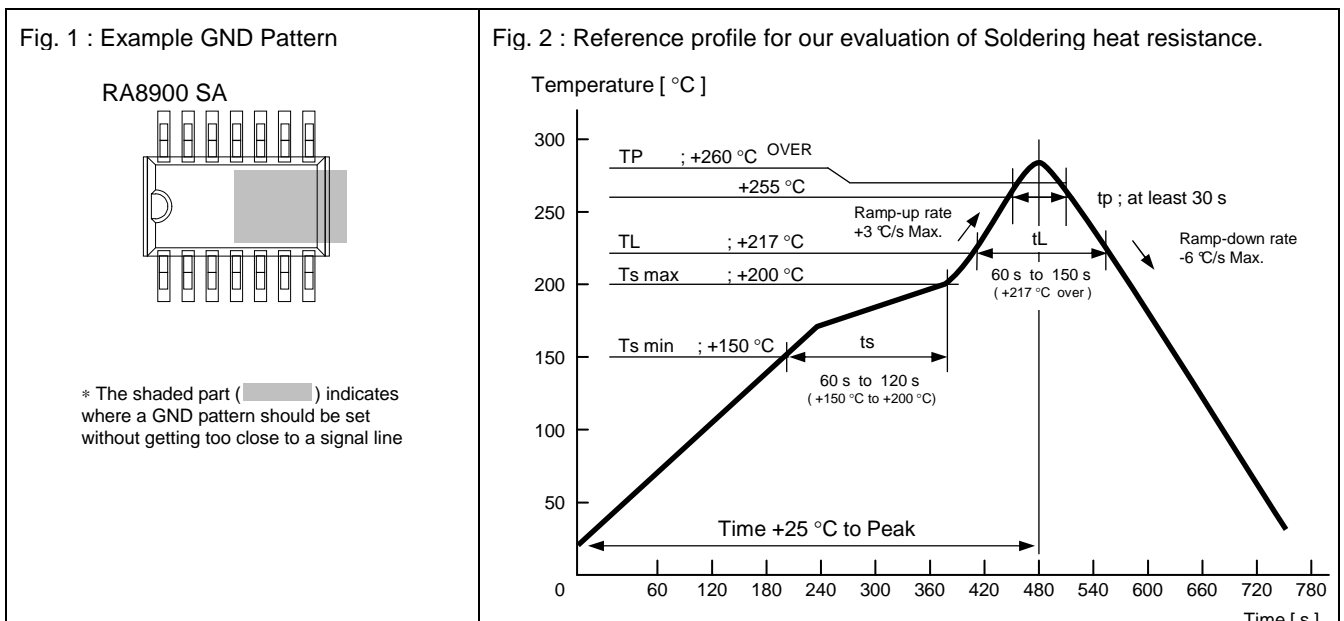
Depending on the usage conditions, there is a possibility that the crystal oscillator will be damaged by resonance during ultrasonic cleaning. Since the conditions under which ultrasonic cleaning is carried out (the type of cleaner, power level, time, state of the inside of the cleaning vessel, etc.) vary widely, this device is not warranted against damage during ultrasonic cleaning.

(4) Mounting orientation

This device can be damaged if it is mounted in the wrong orientation. Always confirm the orientation of the device before mounting.

(5) Leakage between pins

Leakage between pins may occur if the power is turned on while the device has condensation or dirt on it. Make sure the device is dry and clean before supplying power to it.



Application Manual

AMERICA

Epson Electronics America, Inc.

Headquarter	214 Devcon Drive, San Jose, CA 95112, U.S.A. Phone: (1)800-228-3964 FAX : (1)408-922-0238 http://www.eea.epson.com
Chicago Office	1827 Walden Office Square, Suite 520 Schaumburg, IL 60173, U.S.A. Phone: (1)847-925-8350 Fax: (1)847 925-8965
El Segundo Office	1960 E. Grand Ave., 2nd Floor, El Segundo, CA 90245, U.S.A. Phone: (1)800-249-7730 (Toll free) : (1)310-955-5300 (Main) Fax: (1)310-955-5400

EUROPE

Epson Europe Electronics GmbH

Headquarter	Riesstrasse 15, 80992 Munich, Germany Phone: (49)-(0)89-14005-0 Fax: (49)-(0)89-14005-110 http://www.epson-electronics.de
-------------	---

ASIA

Epson (China) Co., Ltd.

Headquarter	4F, Tower 1 of China Central Place, 81 Jianguo Street, Chaoyang District, Beijing, 100025 China Phone: (86) 10-8522-1199 Fax: (86) 10-8522-1125 http://www.epson.com.cn/ed/
Shanghai Branch	High-Tech Building, 900 Yishan Road Shanghai 200233, China Phone: (86) 21-5423-5577 Fax: (86) 21-5423-4677
Shenzhen Branch	12/F, Dawning Mansion, #12 Keji South Road, Hi-Tech Park, Shenzhen, China Phone: (86) 755-2699-3828 Fax: (86) 755-2699-3838

Epson Hong Kong Ltd.

Unit 715-723 7/F Trade Square, 681 Cheung Sha Wan Road, Kowloon, Hong Kong
Phone: (86) 755-2699-3828 (Shenzhen Branch)
Fax: (86) 755-2699-3838 (Shenzhen Branch)
<http://www.epson.com.hk>

Epson Taiwan Technology & Trading Ltd.

14F, No.7, Song Ren Road, Taipei 110
Phone: (886) 2-8786-6688 Fax: (886) 2-8786-6660
<http://www.epson.com.tw/ElectronicComponent>

Epson Singapore Pte. Ltd.

No 1 HarbourFront Place, #03-02 HarbourFront Tower One, Singapore 098633.
Phone: (65)- 6586-5500 Fax: (65) 6271-3182
http://www.epson.com.sg/epson_singapore/electronic_devices/electronic_devices.page

Seiko Epson Corporation Korea Office

19F (63Bldg., Yoido-dong) 50, 63-ro, Yeongdeungpo-gu, Seoul, 150-763, Korea
Phone: (82) 2-784-6027 Fax: (82) 2-767-3677
<http://www.epson-device.co.kr>

SEIKO EPSON CORPORATION

Distributor

Electronic devices information on WWW server

<http://www5.epsondevice.com/en/>