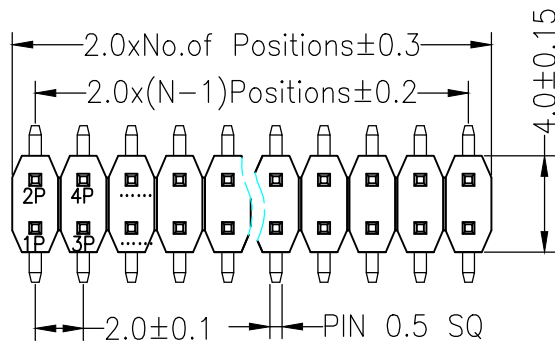


RoHS

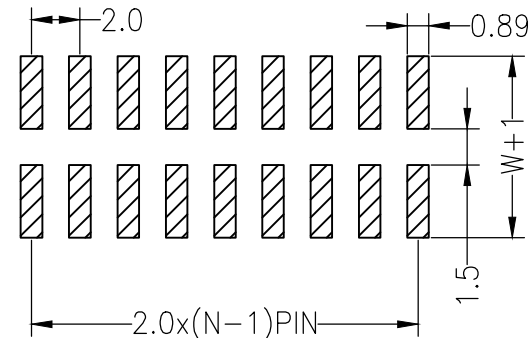
SPECIFICATIONS

Rated Current:1.5AMP
 Contact Resistance:20mΩ Max
 Withstand Voltage:500V AC/DC
 Insulation Resistance:1000MΩ Min
 Operation Temperature:-40°C to +105°C

Contact Material:Brass
 Contact Plating:Au or Sn Over Ni
 Insulator Material:Polyester(UL94V-0)
 Standard: PA6T
 Max.Processing Temp: 230°C for 30-60 seconds
 (260°C for 5 seconds)



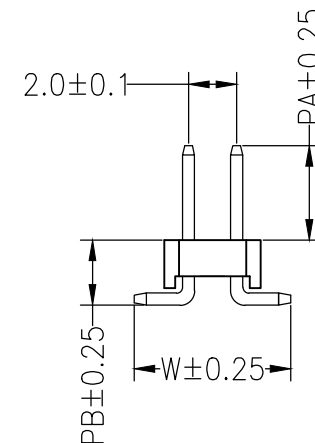
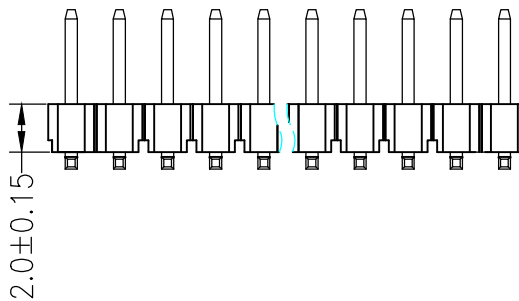
Recommended P.C.B Layout(Top Side)
 (PCB BOARD TOLERANCE±0.05)



Ordering Information

1320 1 2 XX X X XX M XXX X 0X

| | | | | | |
|----------------------------|---|-----------------------------------|---|------------|---|
| No.of Pins Per Row 2*40 | Insulator Material Option A=BK-PBT B=BK-PA66 C=BK-PA6T D=BK-PA46 E=BK-PA9T F=BK-LCP | Post W=With Post N=W/O Post | Contact Plating G0:0.8U" Gold G1:1U" Gold G2:1.5U" Gold G3:2U" Gold G4:3U" Gold S0:Gold Flash/Tin SN:Tin | Pin Length | Packing O=PE Bag A=Tray T=Tube P=Tube+Cap R=Reel+Cap M=Reel+Mylar |
|----------------------------|---|-----------------------------------|---|------------|---|



| Dimension antitheses list | | | | |
|---------------------------|-------|------|------|------|
| ITEM | PA | PB | W | L |
| Standard | 12.50 | 2.50 | 6.00 | 16.5 |
| Alternate | | | | |

| | | | | | | | | | | | | | |
|-----|------------|--------------------------|--------|-----------|-------|---------|-------|----------|-------|-----|---|--|--|
| | | | | OPERATION | | DRAW | LU | 12.04.11 | SCALE | FIT | 深圳市连盛精密连接器有限公司 PART NO. PH-01524 TITLE: 2.0PH 2x4pin H2.0MM SMT | | |
| | | | | X.X | ±0.30 | | | | UNIT | mm | | | |
| | | | | X.XX | ±0.20 | CHECK | SIZE | A4 | | | | | |
| A0 | 2012.04.11 | NEW DRAWING | | X.XXX | ±0.10 | | SHEET | 1/1 | | | | | |
| REV | DATE | MODIFICATION DESCRIPTION | CHANGE | Angle | ±3° | APPROVE | | PROJ. | | | | | |
| | | | | DIM | TOL | | | | | | | | |