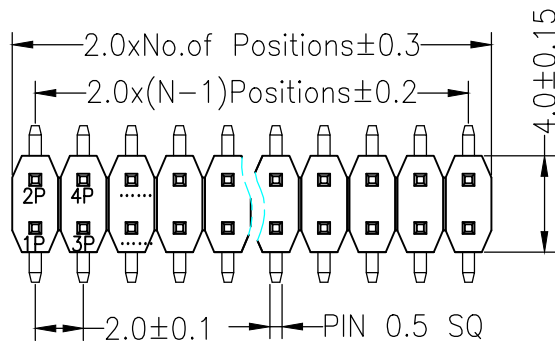


RoHS

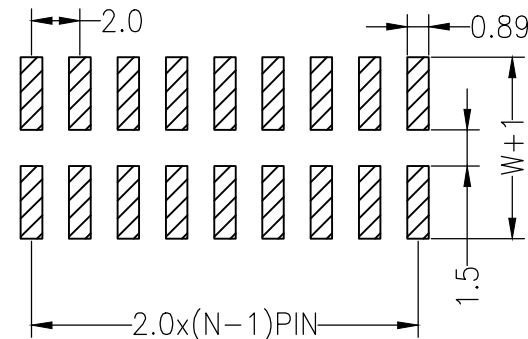
SPECIFICATIONS

Rated Current:1.5AMP
 Contact Resistance:20mΩ Max
 Withstand Voltage:500V AC/DC
 Insulation Resistance:1000MΩ Min
 Operation Temperature:-40°C to +105°C

Contact Material:Brass
 Contact Plating: Au or Sn Over Ni
 Insulator Material:Polyester(UL94V-0)
 Standard: PA6T
 Max.Processing Temp: 230°C for 30-60 seconds
 (260°C for 5 seconds)



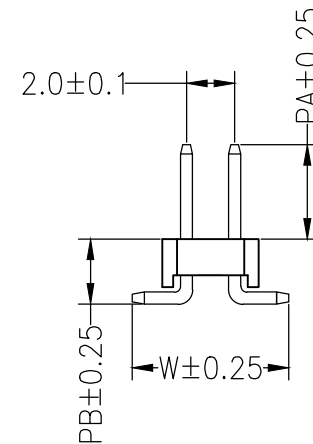
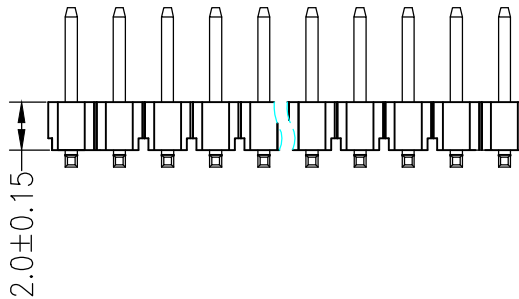
Recommended P.C.B Layout(Top Side)
 (PCB BOARD TOLERANCE±0.05)



Ordering Information

1320 1 2 XX X X XX M XXX X 0X

No.of Pins Per Row 2*40	Insulator Material Option A=BK-PBT B=BK-PA66 C=BK-PA6T D=BK-PA46 E=BK-PA9T F=BK-LCP	Post W=With Post N=W/O Post	Contact Plating G0:0.8U" Gold G1:1U" Gold G2:1.5U" Gold G3:2U" Gold G4:3U" Gold S0:Gold Flash/Tin SN:Tin	Pin Length	Packing O=PE Bag A=Tray T=Tube P=Tube+Cap R=Reel+Cap M=Reel+Mylar
----------------------------	---	-----------------------------------	---	------------	---



Dimension antitheses list				
ITEM	PA	PB	W	L
Standard	12.50	2.50	6.00	16.5
Alternate				

				OPERATION		DRAW	LU	12.04.11	SCALE	FIT	深圳市连盛精密连接器有限公司 PART NO. PH-01523 TITLE: 2.0PH 2x3pin H2.0MM SMT		
				X.X	±0.30				UNIT	mm			
				X.XX	±0.20	CHECK	SIZE	A4					
A0	2012.04.11	NEW DRAWING		X.XXX	±0.10		SHEET	1/1					
REV	DATE	MODIFICATION DESCRIPTION	CHANGE	Angle	±3°	APPROVE		PROJ.					
				DIM	TOL								