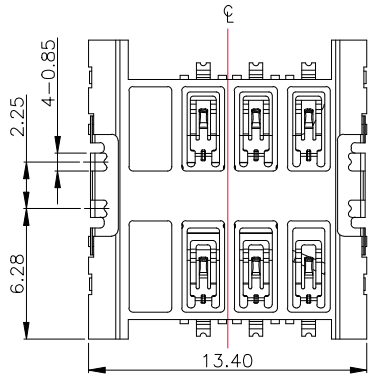
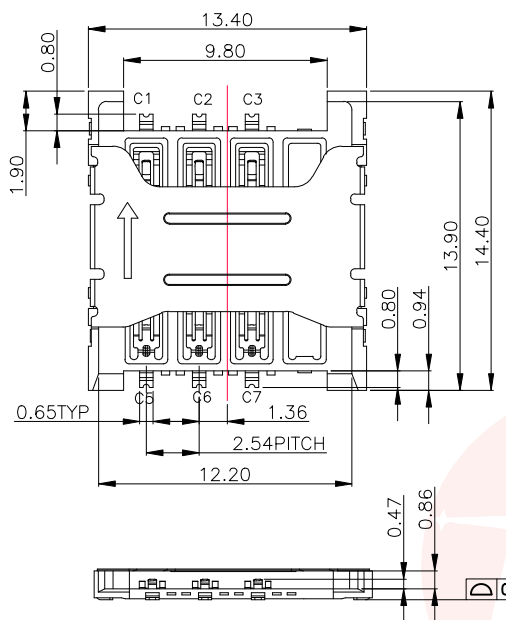
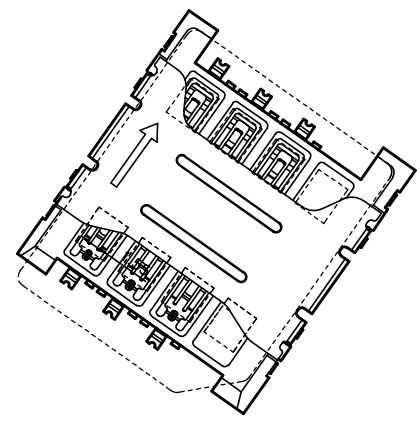




REV.	ECN NO OR DESCRIPTION	REVISED	DATE



pin no.	name
C1	vcc of sim
C2	rst of sim
C3	clk of sim
C5	gnd of sim
C6	vpp of sim
C7	I/O of sim
C4/C8	n/a

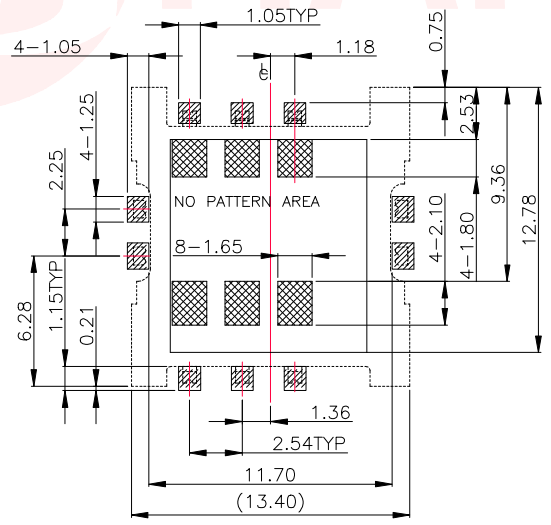
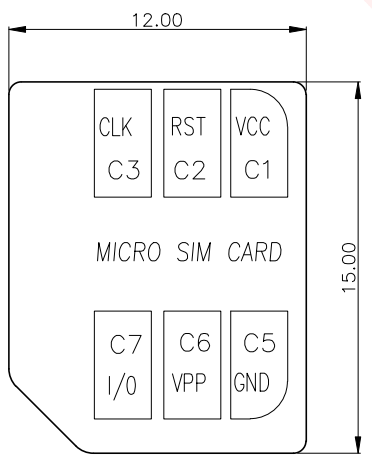


MATERIALS

- HOUSING THERMOPLASTIC (UL 94V-0) .
- TERMINAL COPPER ALLOY,
PLATING GOLD PLATED ON CONTACT AREA
AND SOLDER TAILS,NICKEL PLATED OVERALL.
- SHELL : STAINLESS STEEL.
PLATING :NICKEL PLATED OVERALL.
GOLD PLATED ON SOLDER TAILS

SPECIFICATION

- CURRENT RATING : 1.0 A MAX.
- DIELECTRIC WITHSTANDING VOLTAGE :
500V AC R.M.S. FOR ONE MINUTE.
- INSULATION RESISTANCE : *1000M MIN. AT 500V DC.
- CONTACT RESISTANCE * 30m MAX.
- OPERATING TEMPERATURE : -40°C TO +85°C.



RECOMMENDED P.C.B. LAYOUT TOLERANCE:±0.05 TOP VIEW

PCB AREA
 CONNECT AREA
 KEEP OUT AREA

DESCRIPTION OF PLATING ON TERMINALS

NO.	EXPLAIN	NO.	EXPLAIN
0	GOLD FLASH	3	GOLD 15u''
1	GOLD 5u''	4	GOLD 20u''
2	GOLD 10u''	6	GOLD 30u''

UNLESS OTHERWISE SPECIFIED TOLERANCES

东莞市汉博电子科技有限公司
 DONGGUAN HANBO TECHNOLOGY CO., LTD

DECIMALS:	ANGLES:	TITLE	MICRO SIM SOCKET 6PIN 1.50H (焊接脚内折防溃PIN)		
X :±0.5	X :±2°	DWN	xiong	PART NO. SIM-213	
X.X :±0.20	X.X :±1°	CHKD	lee	SCALE:1:1	UNIT: mm
X.XX :±0.10		APVD	wang	SIZE: A4	SHEET:10F 1
					REV: A4
				CUSTOMER COPY	