

TPS645S Series 6 mm Tact Switches

Features/Benefits

- Compact size 6 x 6 mm
- Variety of actuator lengths
- Choice of actuation force
- RoHS compliant and compatible

Typical Applications

- Consumer products
- Instrumentation
- Computer products
- Industrial

B

Tactile Switches

Specification

FUNCTION: Momentary action
CONTACT ARRANGEMENT: SPST, N.O.
TERMINALS: PC pins

Mechanical

ACTUATION FORCE: 100 grams, 160 grams, 200 grams, 260 grams
LIFE EXPECTANCY: 100,000 operations.

Electrical

CONTACT RATING: 50 mA @ 12 V DC.
DIELECTRIC STRENGTH: 250 V AC min.
CONTACT RESISTANCE: 100 mΩ max. initial.
INSULATION RESISTANCE: 10¹¹ Ω min.

Environmental

OPERATING TEMPERATURE: -20°C to 60°C

Process

SOLDERING: Preheating to 100°C for 45 sec. max. Keep flux flush with top surface of PCB; do not apply to component side of PCB and area where terminals are located. Soldering to 255°C for 5 sec. max. Clean by brushing on solder surface. Do not clean switch with solvents.

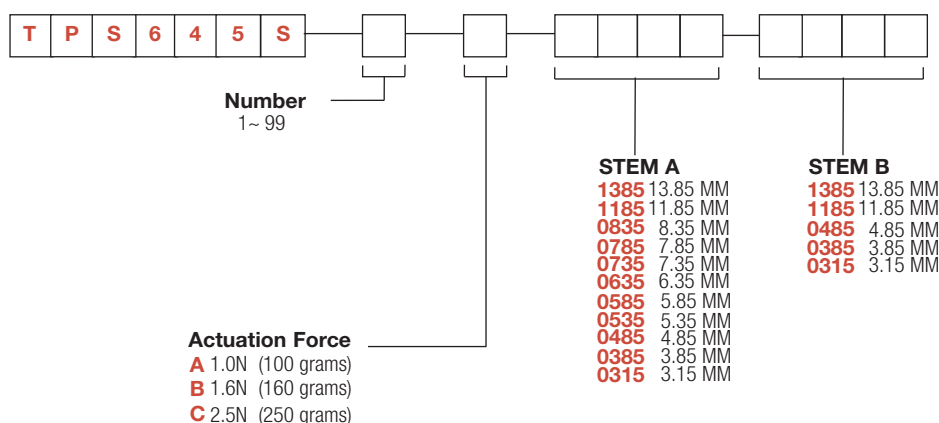
Packaging

Bulk packaging.

NOTE: Specifications listed above are for switches with standard options. For information on specific and custom switches, consult Customer Service Center.

How To Order

Our easy build-a-switch concept allows you to mix and match options to create the switch you need. To order, select desired option from each category and place it in the appropriate box.

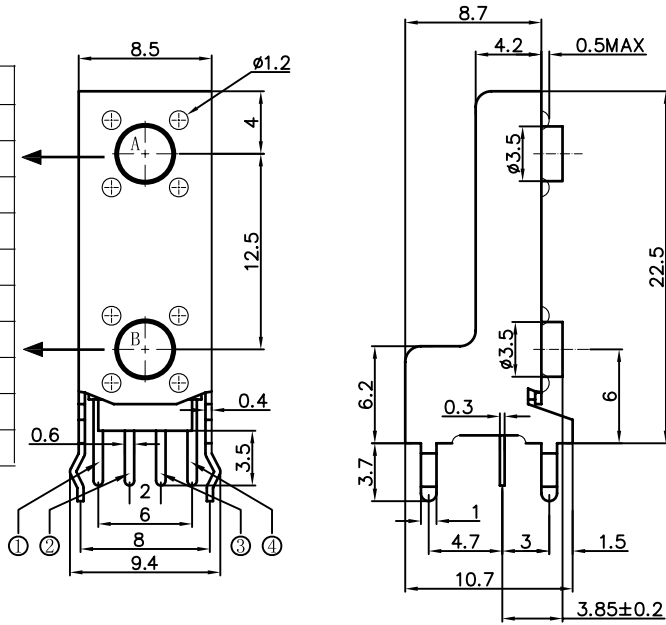


TPS645 Series 6 mm Tact Switches

TERMINATION

TPS645S-1XXXXXXX

		L (mm)	H (mm)	A (mm)
STEM A	1385	13.85	15.0	∅3.0
	1185	11.85	13.0	∅3.0
	0585	5.85	7.0	∅3.3
	0385	3.85	5.0	∅3.5
	0315	3.15	4.3	∅3.5
STEM B	1385	13.85	15.0	∅3.0
	1185	11.85	13.0	∅3.0
	0485	4.85	6.0	∅3.3
	0385	3.85	5.0	∅3.5
	0315	3.15	4.3	∅3.5



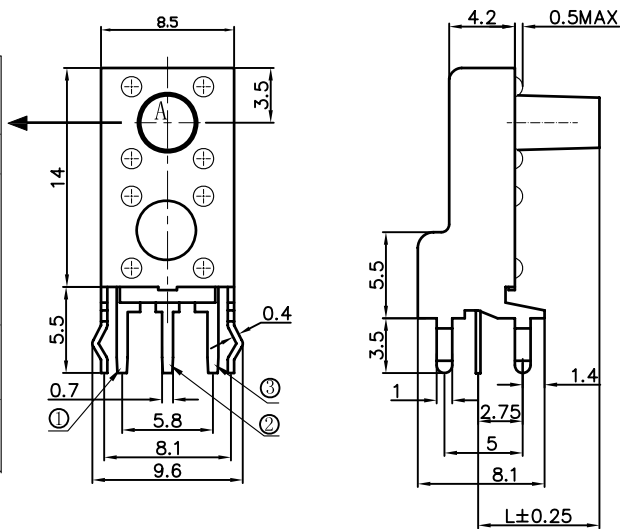
B

Tactile Switches

TERMINATION

TPS645S-2XXXXX

		L (mm)	H (mm)	A (mm)
STEM A	1385	13.85	15.0	∅3.0
	1185	11.85	13.0	∅3.0
	0835	8.35	9.5	∅3.1
	0785	7.85	9.0	∅3.2
	0735	7.35	8.5	∅3.2
	0635	6.35	7.5	∅3.3
	0535	5.35	6.5	∅3.3
	0485	4.85	6.0	∅3.3
	0385	3.85	5.0	∅3.5
	0315	3.15	4.3	∅3.5



PCB board installation drawing (± 0.1)



Dimensions are shown: mm
Specifications and dimensions subject to change