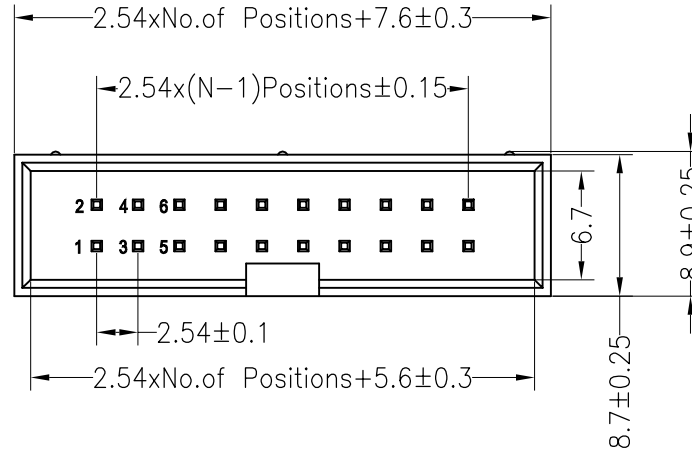


RoHS

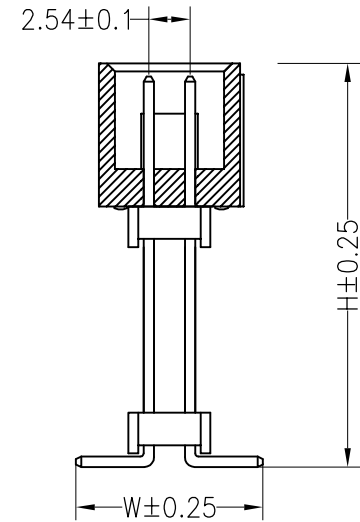
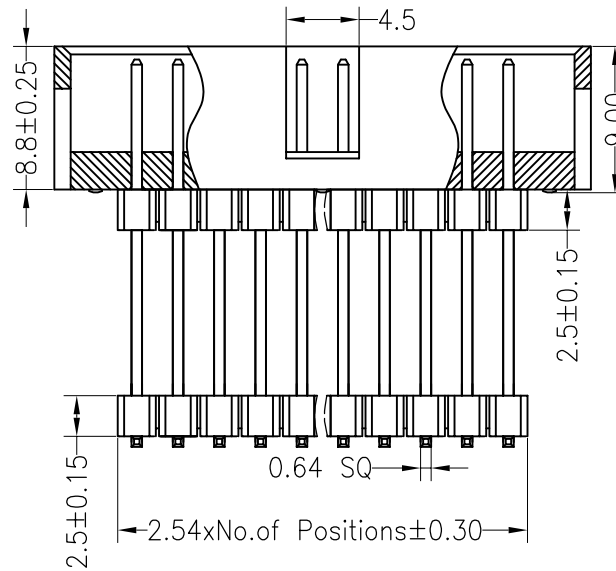
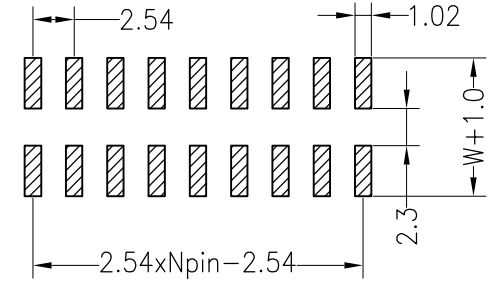
SPECIFICATIONS

Rated Current:3.0AMP
 Contact Resistance:20mΩ Max
 Withstand Voltage:1000V AC/DC
 Insulation Resistance:1000MΩ Min
 Operation Temperature:-40°C to +105°C

Contact Material:Brass
 Contact Plating:Au Over Ni
 Insulator Material:Polyester(UL94V-0)
 Standard: PA6T
 Max.Processing Temp: 230°C for 30-60 seconds
 (260°C for 10 seconds)



Recommended P.C.B Layout(Top Side)
 (PCB BOARD TOLERANCE±0.05)



Dimension antitheses list				
ITEM	H	D	W	L
Alternate	20.50	0	12.00	24.00

				OPERATION		DRAW		SCALE		FIT		深圳市连盛精密连接器有限公司 PART NO. BH-00028 TITLE: 2.54BOX 3H=8.8+2X2.5 塑胶和高20.5 26P SMT	
				X.X	±0.30			UNIT	mm				
				X.XX	±0.20	CHECK		SIZE	A4				
				X.XXX	±0.10			SHEET	1/1				
				Angle	±3°	APPROVE		PROJ.	◆				
A0	2012.03.28	NEW DRAWING											
REV	DATE	MODIFICATION DESCRIPTION		CHANGE	DIM	TOL							