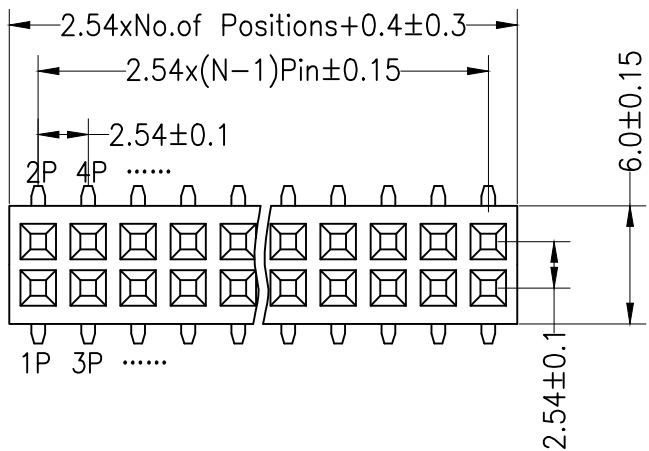


RoHS

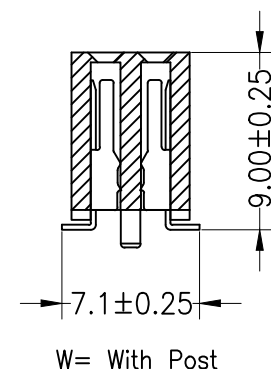
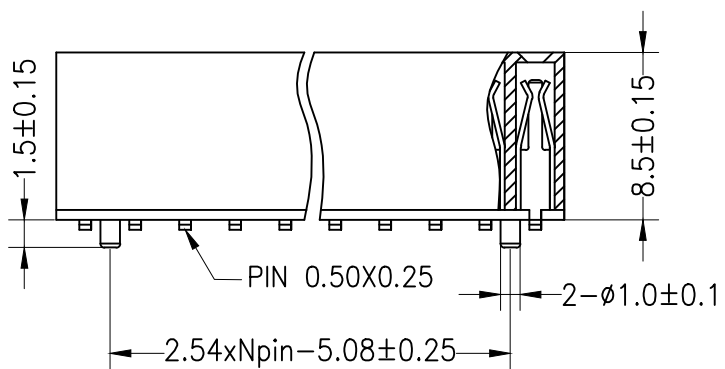
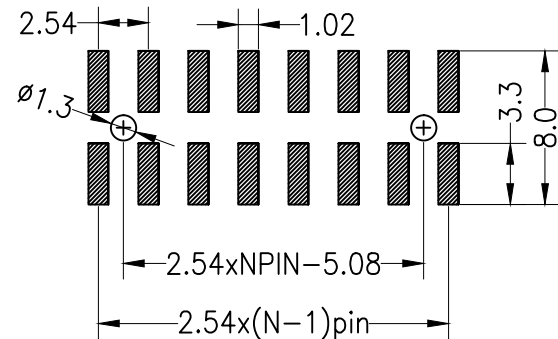
SPECIFICATIONS

Rated Current:3.0AMP  
 Contact Resistance:20mΩ Max  
 Withstand Voltage:1000V AC/DC  
 Insulation Resistance:1000MΩ Min  
 Operation Temperature:-40°c to +105°c

Contact Material:Brass  
 Contact Plating:Au Over Ni  
 Insulator Material:Polyester(UL94V-0)  
 Standard: PA6T  
 Max.Processing Temp: 230°C for 30-60 seconds  
 (260°C for 10 seconds)



Recommended P.C.B Layout(Top Side)  
 (PCB BOARD TOLERANCE  $\pm 0.05$ )



				OPERATION		DRAW		SCALE	FIT	深圳市连盛精密连接器有限公司	
				X.X	$\pm 0.30$			UNIT	mm		
				X.XX	$\pm 0.20$	CHECK		SIZE	A4	PART NO.	
				X.XXX	$\pm 0.10$			SHEET	1/1	FH-00655	
A0	2012.03.28	NEW DRAWING		Angle	$\pm 3^\circ$	APPROVE		PROJ.		TITLE:	
REV	DATE	MODIFICATION DESCRIPTION		DIM	TOL					2.54FH H8.5mm W=6.0 2x10pin SMT U-A型 带柱	