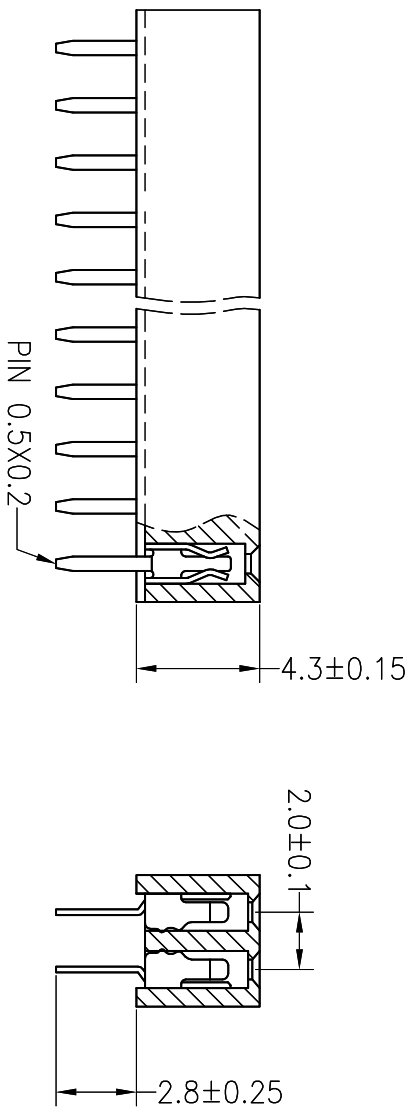
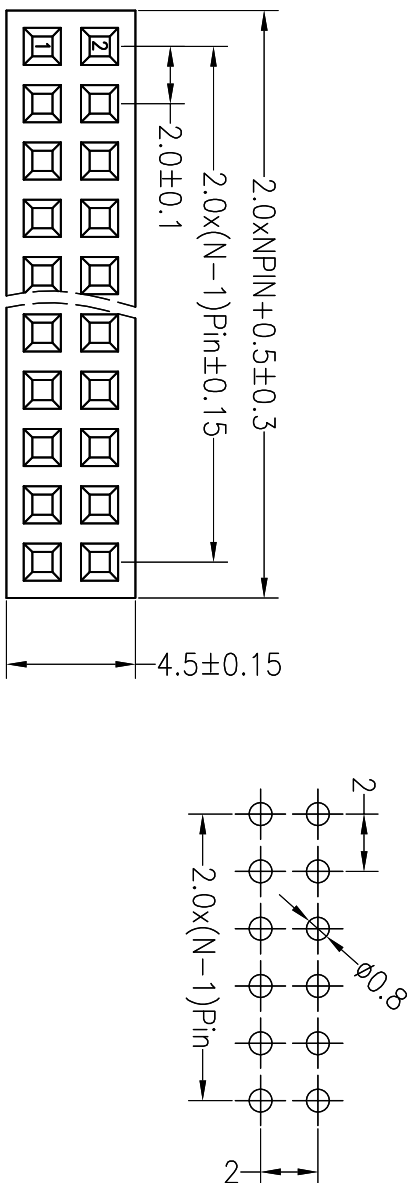


RoHS

SPECIFICATIONS

Rated Current: 1.5AMP
 Contact Resistance: 20mΩ Max
 Withstand Voltage: 500V AC/DC
 Insulation Resistance: 1000MΩ Min
 Operation Temperature: -40°c to +105°c
 Contact Material: Brass
 Contact Plating: Au Over Ni
 Insulator Material: Polyester (UL94V-0)
 Standard: PA6T
 Max. Processing Temp: 230°C for 30-60 seconds
 (260°C for 10 seconds)

Recommended P.C.B Layout (Top Side)
 (PCB BOARD TOLERANCE ±0.05)



G											
SPECIFICATIONS											
Rated Current: 1.5AMP											
Contact Resistance: 20mΩ Max											
Withstand Voltage: 500V AC/DC											
Insulation Resistance: 1000MΩ Min											
Operation Temperature: -40°c to +105°c											
Contact Material: Brass											
Contact Plating: Au Over Ni											
Insulator Material: Polyester (UL94V-0)											
Standard: PA6T											
Max. Processing Temp: 230°C for 30-60 seconds (260°C for 10 seconds)											
F											
Recommended P.C.B Layout (Top Side) (PCB BOARD TOLERANCE ±0.05)											
E											
D											
C											
B											
A											

OPERATION											
X.X ±0.30											
X.XXX ±0.20											
X.XXX ±0.10											
Angle ±3°											
DIM TOL											
DRAW											
CHECK											
APPROVE											
SCALE											
UNIT											
FIT											
mm											
SIZE											
A4											
SHEET											
1/1											
PROJ.											
PART NO.											
FH-00135											
TITLE:											
2.00FH H4.3mm 2x10pin 180° W4.50											
深圳市连盛精密连接器有限公司											
REV											
DATE											
MODIFICATION DESCRIPTION											
CHANGE											
1											
2											
3											
4											
5											
6											
7											
8											
9											