

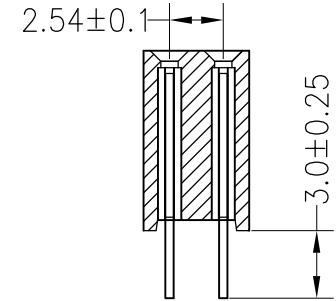
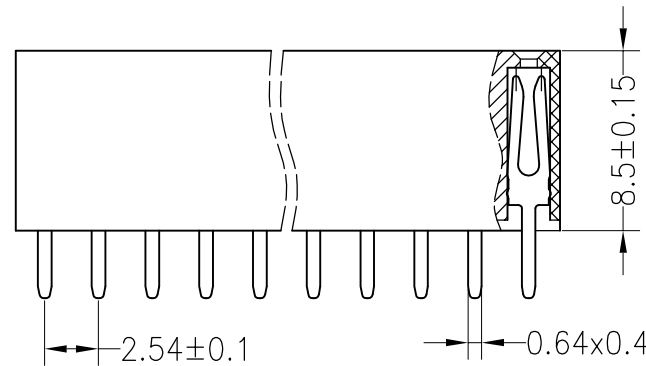
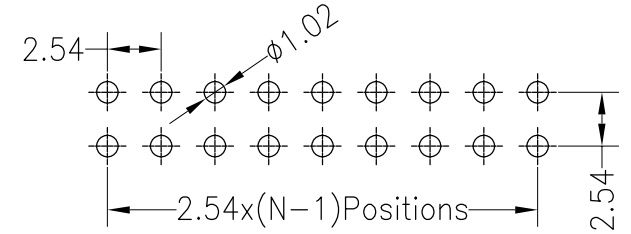
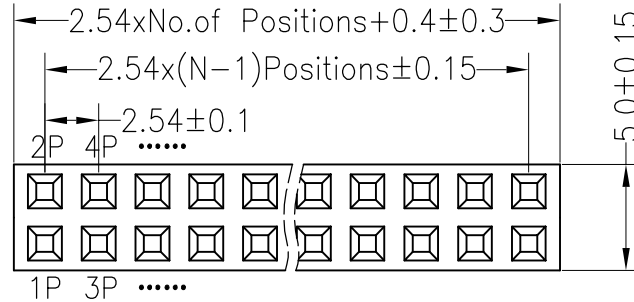
RoHS

SPECIFICATIONS

Rated Current:3.0AMP  
 Contact Resistance:20mΩ Max  
 Withstand Voltage:1000V AC/DC  
 Insulation Resistance:1000MΩ Min  
 Operation Temperature:-40°c to +105°c

Contact Material:Brass  
 Contact Plating:Au Over Ni  
 Insulator Material:Polyester(UL94V-0)  
 Standard: PBT  
 Max.Processing Temp: 180°C for 30-60 seconds  
 (200°C for 10 seconds)

Recommended P.C.B Layout(Top Side)  
 (PCB BOARD TOLERANCE±0.05)



				OPERATION		DRAW		SCALE		FIT		深圳市科特精密五金塑胶有限公司 PART NO. FH-00131 TITLE: 2.54FH H8.5 2x11pin 180° W5.0mm	
				X.X	±0.30			UNIT	mm				
				X.XX	±0.20	CHECK		SIZE	A4				
				X.XXX	±0.10			SHEET	1/1				
				Angle	±3'	APPROVE		PROJ.	◆				
				DIM	TOL								
A0	2012.03.28	NEW DRAWING											
REV	DATE	MODIFICATION DESCRIPTION		CHANGE									
1	2	3	4	5	6	7	8	9					