

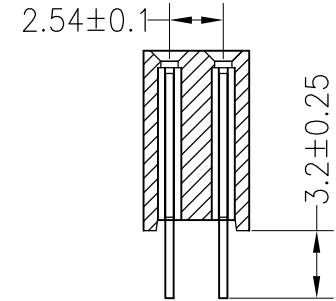
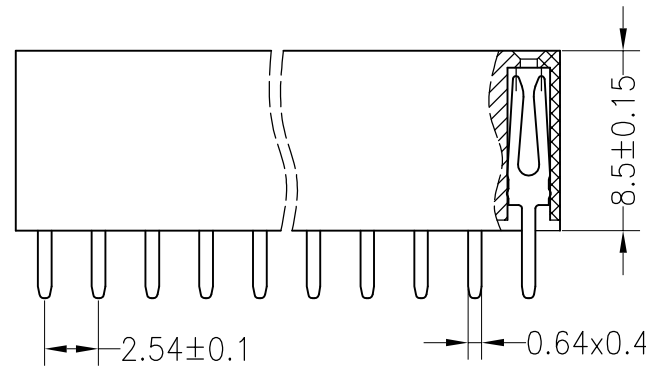
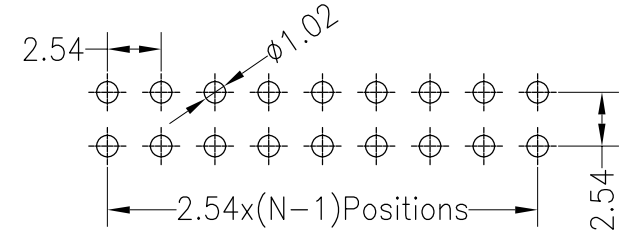
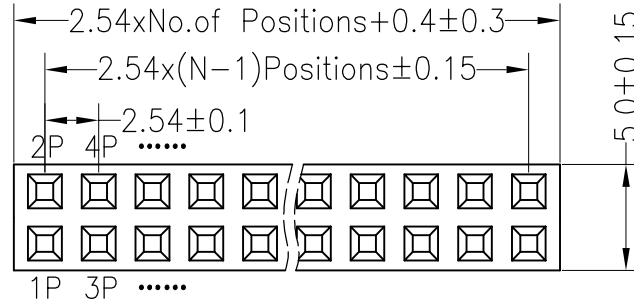
RoHS

SPECIFICATIONS

Rated Current:3.0AMP
 Contact Resistance:20mΩ Max
 Withstand Voltage:1000V AC/DC
 Insulation Resistance:1000MΩ Min
 Operation Temperature:-40°C to +105°C

Contact Material:Brass
 Contact Plating:Au Over Ni
 Insulator Material:Polyester(UL94V-0)
 Standard: PBT
 Max.Processing Temp: 180°C for 30-60 seconds
 (200°C for 10 seconds)

Recommended P.C.B Layout(Top Side)
 (PCB BOARD TOLERANCE±0.05)



| | | | | | | | | | | | | | |
|-----|------|--------------------------|--------|-----------|-------|---------|--|-------|-----|----------|--|--------------------------------|--|
| | | | | OPERATION | | DRAW | | SCALE | | FIT | | 深圳市连盛精密连接器有限公司 | |
| | | | | X.X | ±0.30 | | | UNIT | mm | | | | |
| | | | | X.XX | ±0.20 | CHECK | | SIZE | A4 | PART NO. | | FH-00122 | |
| | | | | X.XXX | ±0.10 | APPROVE | | SHEET | 1/1 | TITLE: | | 2.54FH H8.5 2x7pin 180° W5.0mm | |
| REV | DATE | MODIFICATION DESCRIPTION | CHANGE | DIM | TOL | | | PROJ. | | | | | |
| 1 | 2 | 3 | 4 | 5 | 6 | | | 7 | 8 | 9 | | | |