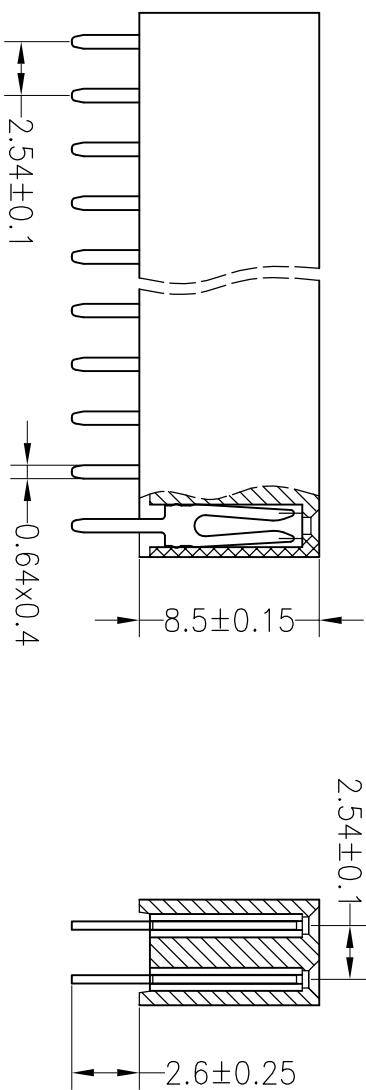
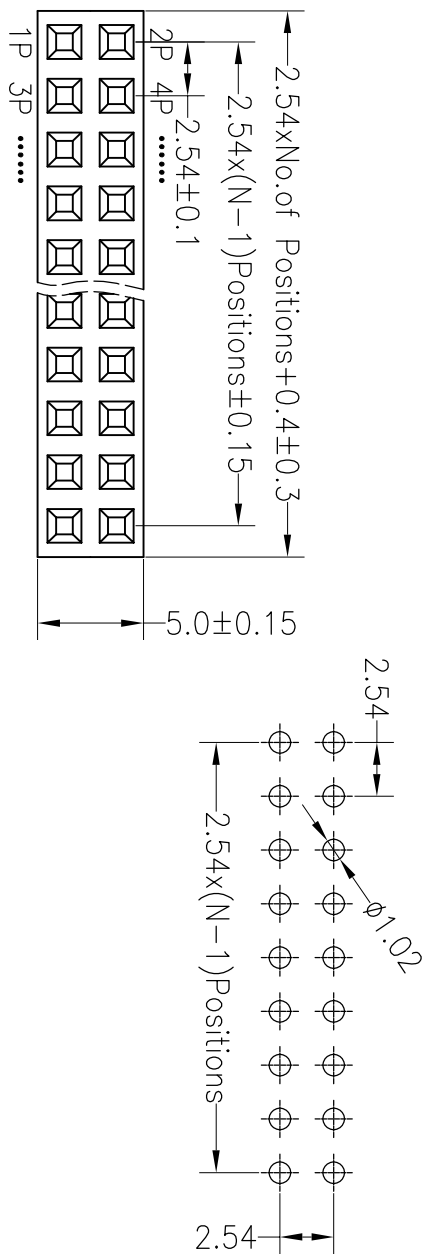


RoHS

SPECIFICATIONS

Rated Current:3.0AMP
 Contact Resistance:20mΩ Max
 Withstand Voltage:1000V AC/DC
 Insulation Resistance:1000MΩ Min
 Operation Temperature:-40°c to +105°c

Contact Material:Brass
 Contact Plating:Au Over Ni
 Insulator Material:Polyester(UL94V-0)
 Standard: PA6T
 Max.Processing Temp: 230°C for 30-60 seconds
 (260°C for 10 seconds)



深圳市连盛精密连接器有限公司

PART NO. FH-00098

TITLE: 2.54FH H8.5 2x7pin 180° W5.0mm

OPERATION		DRAW		SCALE		FIT	
X.X	±0.30	CHECK	UNIT	mm			
X.XX	±0.20		SIZE	A4			
X.XXX	±0.10		SHEET	1/1			
Angle	±3°	APPROVE	PROJ.				
DIM	TOL						
CHANGE		CHANGE		CHANGE		CHANGE	
1	2	3	4	5	6	7	8
REV	DATE	MODIFICATION DESCRIPTION					
A0	2012.03.28	NEW DRAWING					
A							