

RoHS

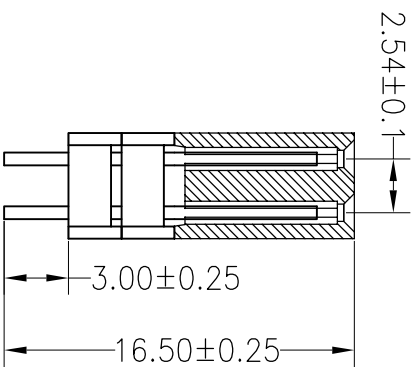
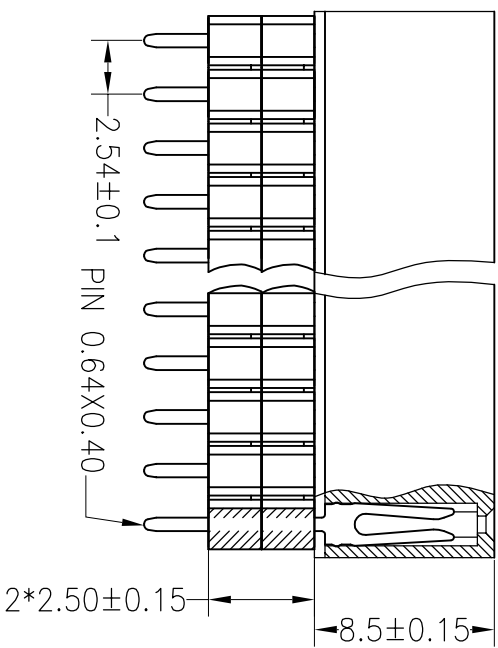
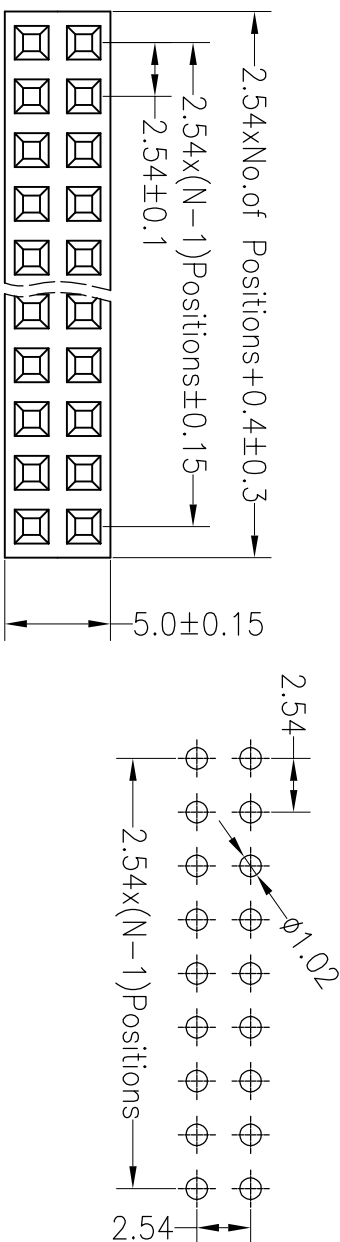
SPECIFICATIONS

Rated Current: 3.0AMP
 Contact Resistance: 20mΩ Max
 Withstand Voltage: 1000V AC/DC
 Insulation Resistance: 1000MΩ Min
 Operation Temperature: -40°C to +105°C

Contact Material: Brass
 Contact Plating: Au Over Ni
 Insulator Material: Polyester (UL94V-0)

Standard: PBT
 Max. Processing Temp: 180°C for 30-60 seconds
 (200°C for 10 seconds)

Recommended P.C.B Layout (Top Side)
 (PCB BOARD TOLERANCE ±0.05)



深圳市连盛精密连接器有限公司

OPERATION		DRAW		SCALE		FIT	
X.X	±0.30			UNIT	mm		
X.XX	±0.20	CHECK		SIZE	A4		
X.XXX	±0.10			SHEET	1/1		
Angle	±3°	APPROVE		PROJ.			
DIM	TOL						

REV	DATE	MODIFICATION DESCRIPTION	CHANGE
A0	2012.10.08	NEW DRAWING	
1			

PART NO.	FH-00096
TITLE:	2.54FH 3H=8.5+2X2.5 2x15pin 180° WS.0mm L15.0