

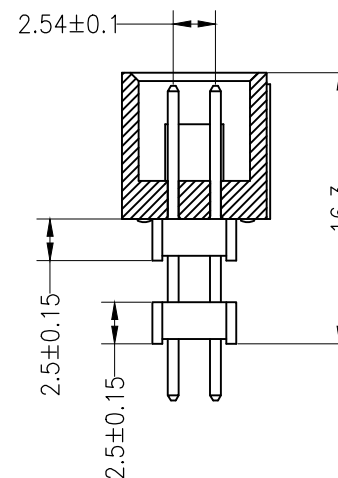
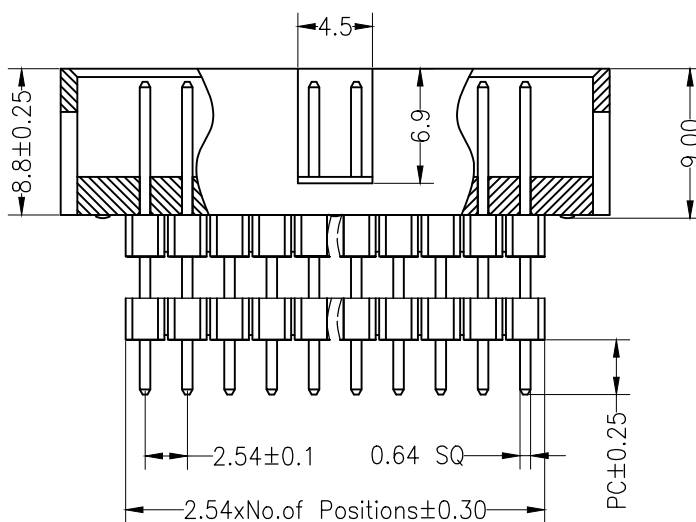
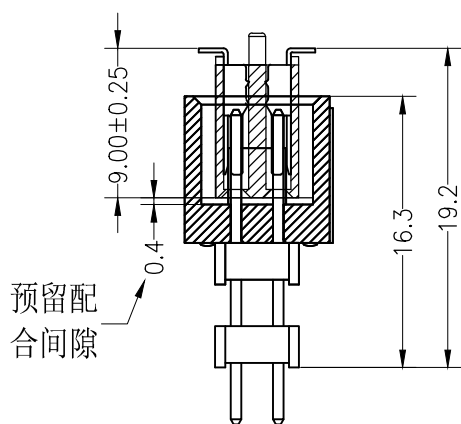
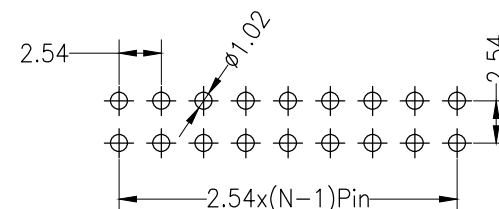
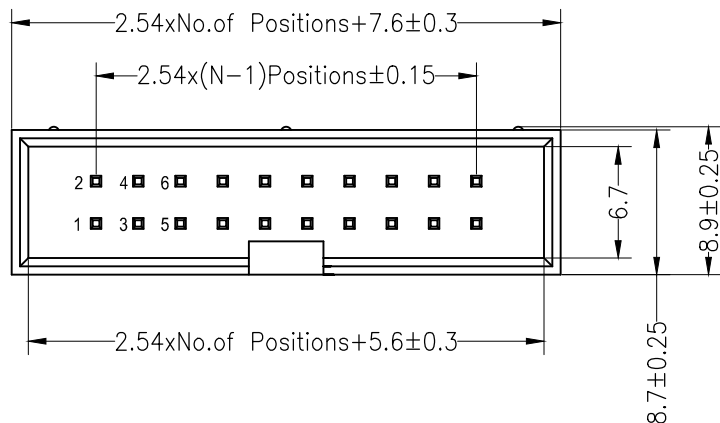
RoHS

SPECIFICATIONS

Rated Current:3.0AMP  
 Contact Resistance:20mΩ Max  
 Withstand Voltage:1000V AC/DC  
 Insulation Resistance:1000MΩ Min  
 Operation Temperature:-40°C to +105°C

Contact Material:Brass  
 Contact Plating:Au Over Ni  
 Insulator Material:Polyester(UL94V-0)  
 Standard: PA6T  
 Max.Processing Temp: 230°C for 30-60 seconds  
 (260°C for 10 seconds)

Recommended P.C.B Layout(Top Side)  
 (PCB BOARD TOLERANCE±0.05)



Dimension antitheses list		
ITEM	PC	L
Alternate	3.00	18.50

				OPERATION		DRAW		SCALE	FIT	深圳市连盛精密连接器有限公司	
				X.X	±0.30			UNIT	mm		
				X.XX	±0.20	CHECK		SIZE	A4	PART NO.	
				X.XXX	±0.10			SHEET	1/1	BH-00189	
				Angle	±3'	APPROVE		PROJ.		TITLE:	
REV	DATE	MODIFICATION DESCRIPTION	CHANGE	DIM	TOL					2.54Box 3H=8.8+2X2.5 12P DIP	