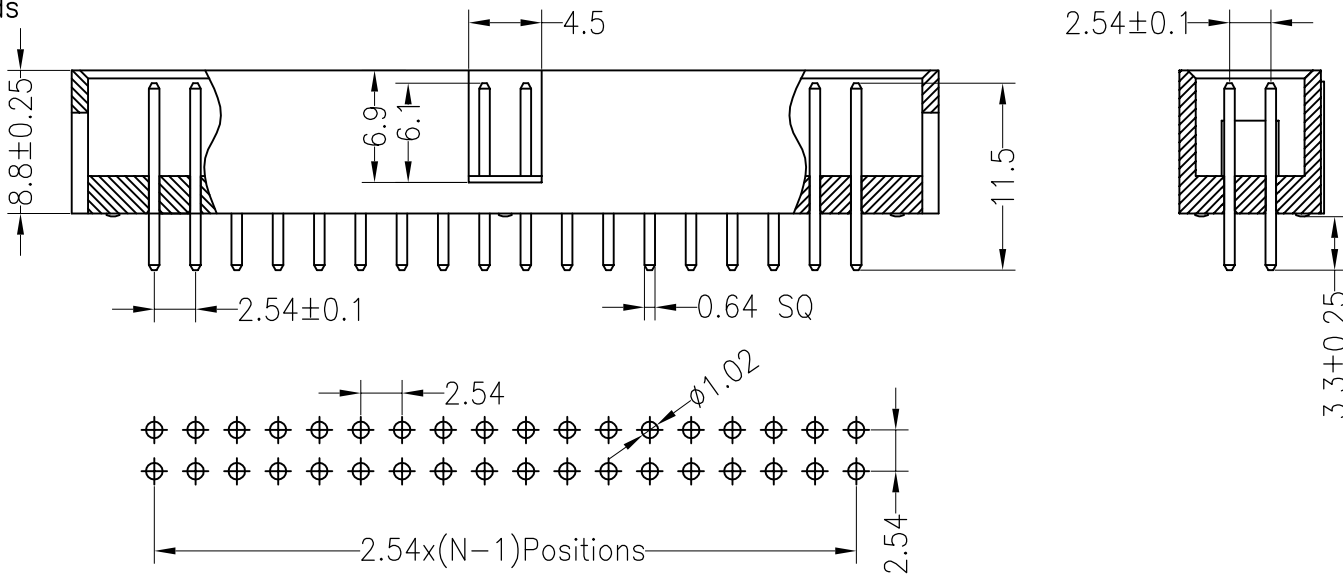
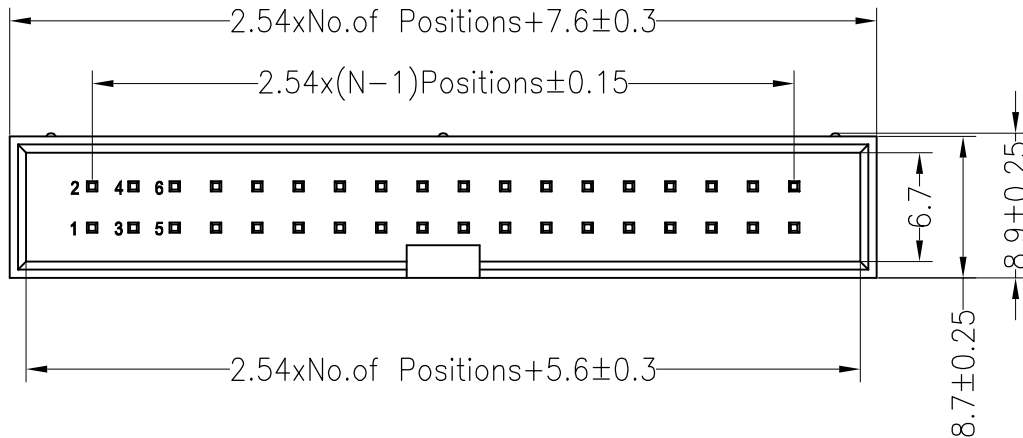


RoHS

SPECIFICATIONS

Rated Current:3.0AMP
 Contact Resistance:20mΩ Max
 Withstand Voltage:1000V AC/DC
 Insulation Resistance:1000MΩ Min
 Operation Temperature:-40°c to +105°c

Contact Material:Brass
 Contact Plating:Au Over Ni
 Insulator Material:Polyester(UL94V-0)
 Standard: PBT
 Max.Processing Temp: 180°C for 30-60 seconds
 (200°C for 10 seconds)



Recommended P.C.B Layout(Top Side)
 (PCB BOARD TOLERANCE±0.05)

深圳市科特精密五金塑胶有限公司

				OPERATION				SCALE	FIT	深圳市科特精密五金塑胶有限公司	
				X.X	±0.30	DRAW		UNIT	mm		
				X.XX	±0.20	CHECK		SIZE	A4	PART NO.	BH-00119
A0	2012.03.28	NEW DRAWING		X.XXX	±0.10	APPROVE		SHEET	1/1	TITLE:	2.54Box 10P H8.8mm 180° PBT
REV	DATE	MODIFICATION DESCRIPTION		CHANGE	ANGLE	DIM	TOL	PROJ.			