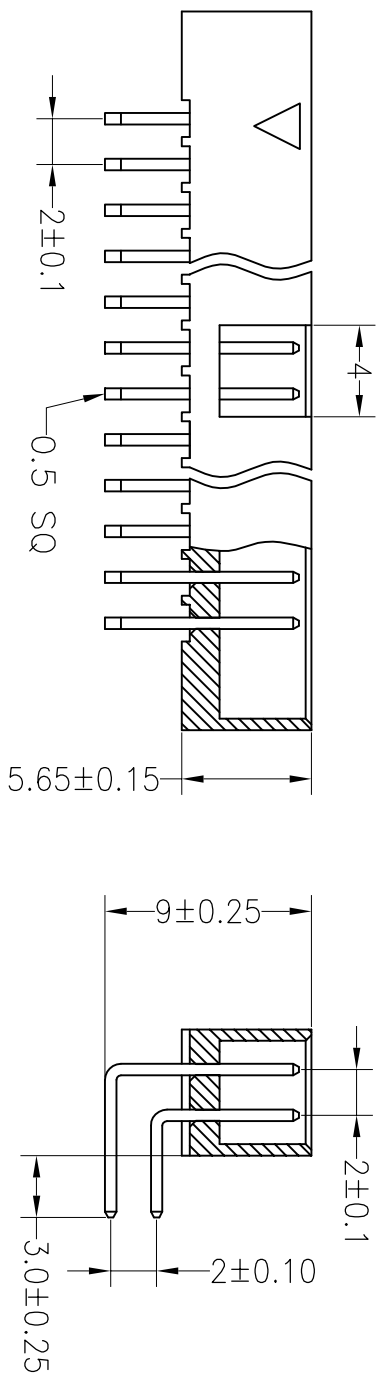
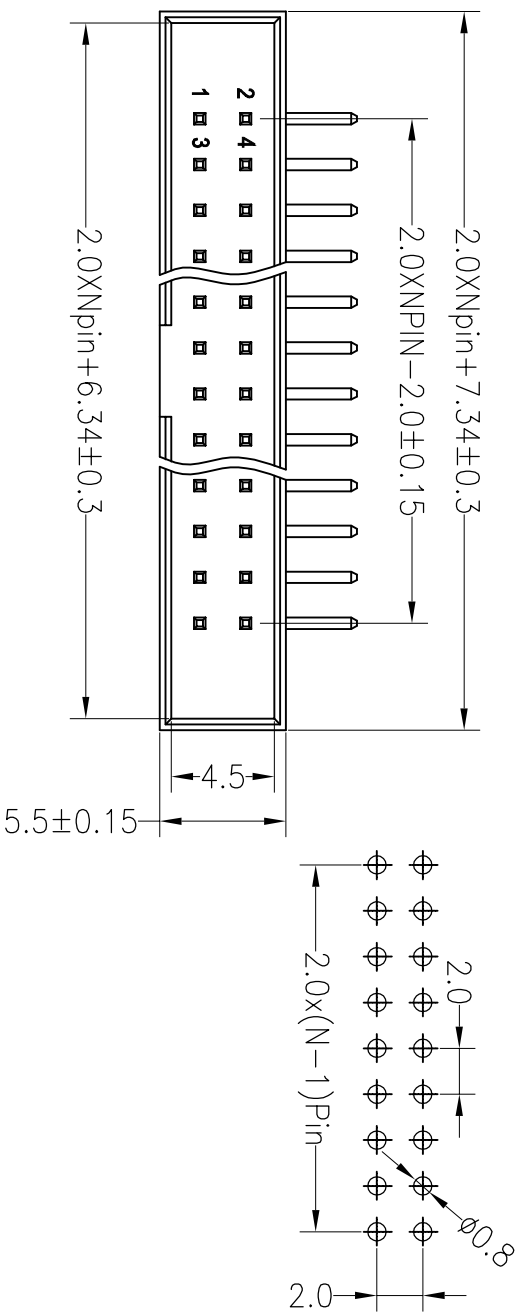


RoHS

SPECIFICATIONS

Rated Current:1.5AMP
 Contact Resistance:20mΩ Max
 Withstand Voltage:400V AC/DC
 Insulation Resistance:800MΩ Min
 Operation Temperature:-40°c to +105°c
 Contact Material:Brass
 Contact Plating:Au or Sn Over Ni
 Insulator Material:Polyester(UL94V-0)
 Standard: PA6T
 Max.Processing Temp: 230°C for 30-60 seconds
 (260°C for 10 seconds)

Recommended P.C.B Layout(Top Side)
 (PCB BOARD TOLERANCE±0.05)



深圳市连盛精密连接器有限公司

OPERATION		DRAW		SCALE		FIT		PART NO.	
X.X	±0.30			UNIT	mm			SIZE	BH-00078
A1	±0.20	CHECK						SHEET	2.0Box 26pin H5.65
A0	±0.10		APPROVE					SHEET	L=10.5/14.5 90°
REV	DATE	MODIFICATION DESCRIPTION		CHANCE	DIM	TOL	PROJ.	TITLE:	
1				4					

OPERATION		DRAW		SCALE		FIT		PART NO.	
X.X	±0.30			UNIT	mm			SIZE	BH-00078
A1	±0.20	CHECK						SHEET	2.0Box 26pin H5.65
A0	±0.10		APPROVE					SHEET	L=10.5/14.5 90°
REV	DATE	MODIFICATION DESCRIPTION		CHANCE	DIM	TOL	PROJ.	TITLE:	
1				4					