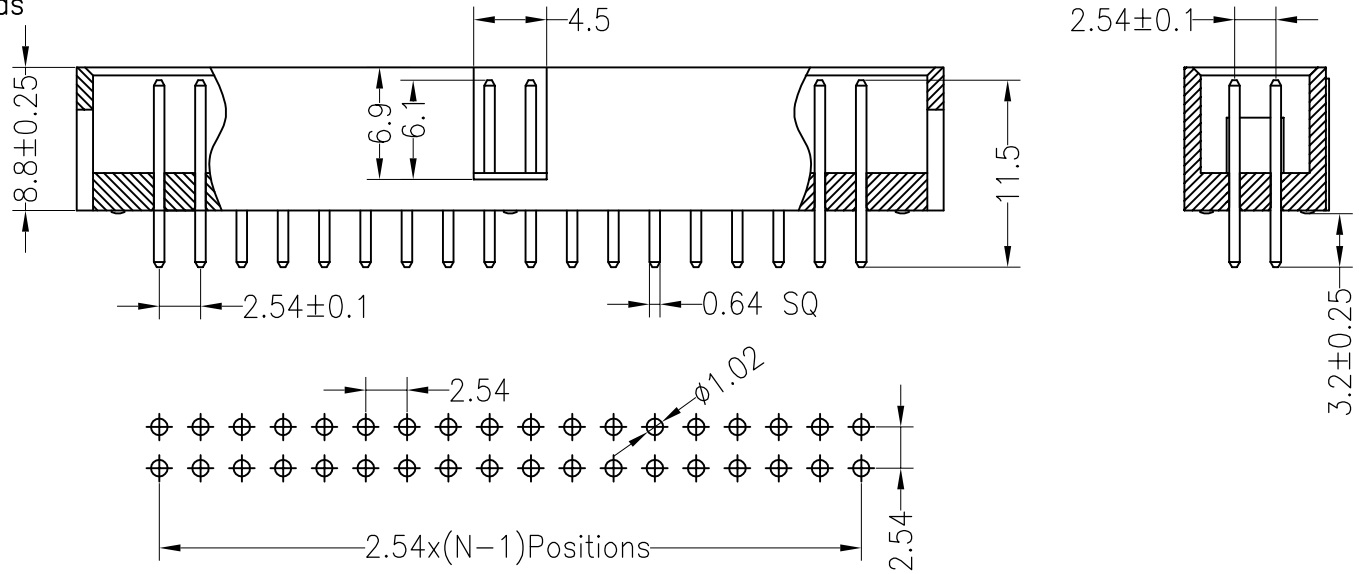
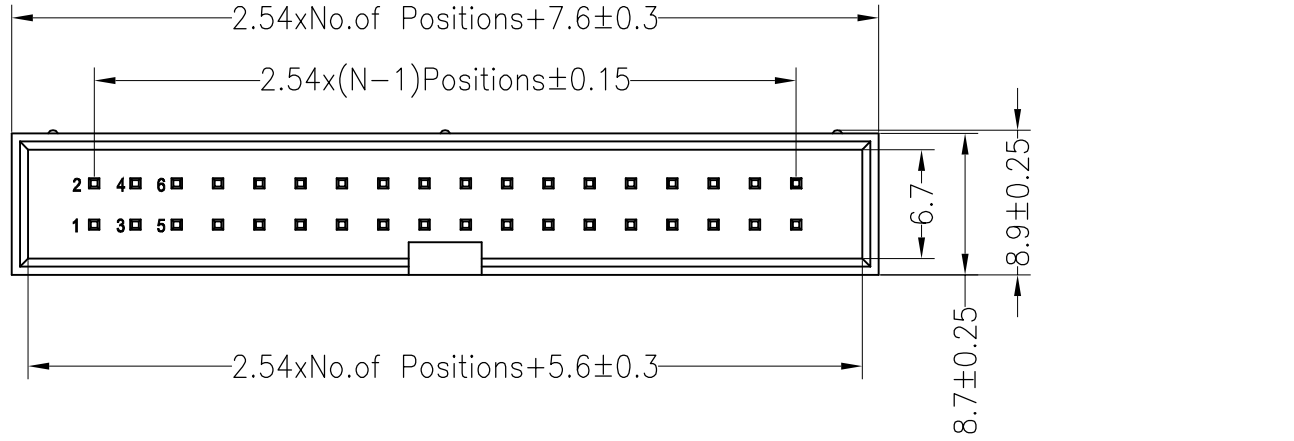


RoHS

SPECIFICATIONS

Rated Current:3.0AMP
 Contact Resistance:20mΩ Max
 Withstand Voltage:1000V AC/DC
 Insulation Resistance:1000MΩ Min
 Operation Temperature:-40°c to +105°c

Contact Material:Brass
 Contact Plating:Au Over Ni
 Insulator Material:Polyester(UL94V-0)
 Standard: PBT
 Max.Processing Temp: 180°C for 30-60 seconds
 (200°C for 10 seconds)



Recommended P.C.B Layout(Top Side)
 (PCB BOARD TOLERANCE±0.05)

				OPERATION		DRAW		SCALE		FIT		深圳市连盛精密连接器有限公司	
				X.X	±0.30			UNIT	mm				
				X.XX	±0.20	CHECK		SIZE	A4	PART NO.		BH-00006	
				X.XXX	±0.10	APPROVE		SHEET	1/1	TITLE:		2.54BOX 34P H=8.8 DIP PC3.2	
				Angle	±3'			PROJ.	◆ ▽			L=11.5 PBT	
REV	DATE	MODIFICATION DESCRIPTION	CHANGE	DIM	TOL								