

**GT-TC075X-HXXX-LX**

**G-SWITCH**

**Operating Force**

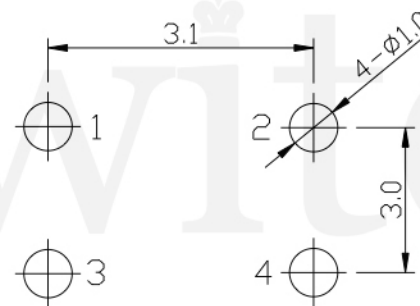
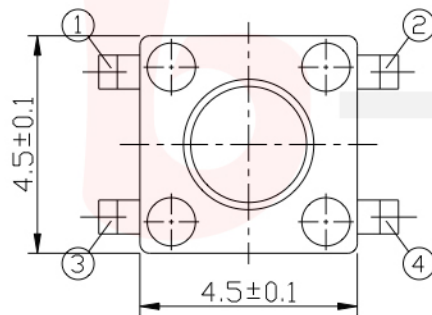
- A=160gf
- B=250gf
- C=100gf
- D=70gf
- E=130gf
- F=320gf
- G=400gf

**Switch lifetime (Force)**

- L1=100,000 Cycles
- L3=300,000 Cycles
- L5=500,000 Cycles

**Switch Height (mm)**

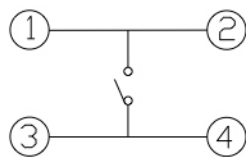
- H035=3.5 H038=3.8
- H043=4.3 H045=4.5
- H050=5.0 H055=5.5
- H060=6.0 H065=6.5
- H070=7.0 H080=8.0
- H085=8.5 H090=9.0
- H095=9.5 H100=10.0



**P.C.B LAND DIMENSION**

**G-Switch Specification:**

Operating temperature range : -30°Cto+85°C  
 Rating : 50mA.12V DC  
 Insulation resistance: : 100MΩ min.100V DC  
 Dielectric strength : 250V AC for 1 min  
 Contact resistance: : 100m Ω max.  
 Travel:0.25±0.1mm



**CIRCUIT DIAGRAM**



**G-Switch Electronic (HongKong) CO.,Ltd.**

Unless otherwise specified, Tolerance: X. ±0.30 X.x ±0.20 X.xx ±0.15 X.xxx ±0.10 Angles ±3°	DESIGN FengFengChen CHECKED APPROVED <a href="http://www.dg-switch.com">http://www.dg-switch.com</a> TEL:0769-82388879	DATE 2019.05.29 DATE DATE REV.: X1 SCALE: 4:1 SHEET: 1/1	Molde code: <b>GT-TC075X-HXXX-LX</b> UNIT: mm
--	--	---	---