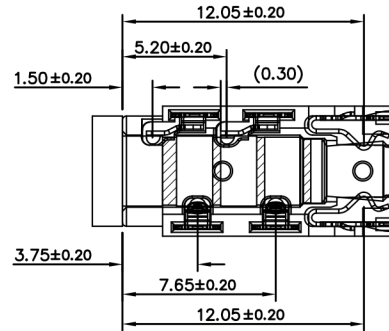
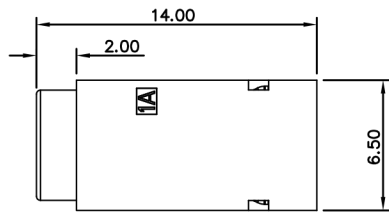
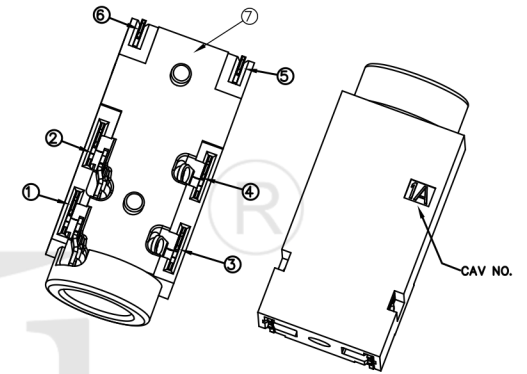


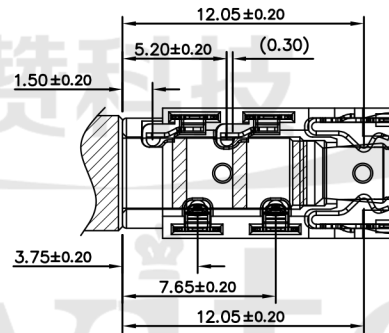
(ø3.50mm 5 POLE PLUG DETAIL DRAWING)



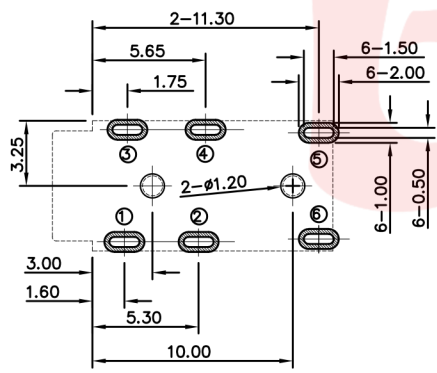
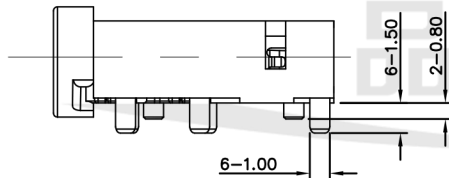
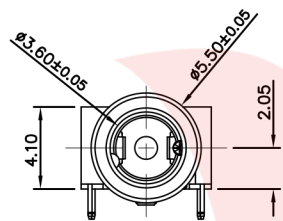
5 级插头接触点位置尺寸



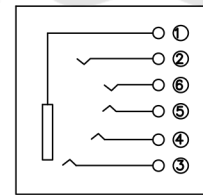
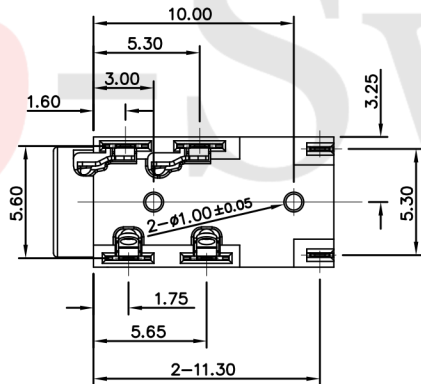
3D VIEW



4 级插头接触点位置尺寸



RECOMMENDED PCB LAYOUT TOP VIEW

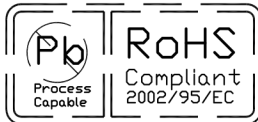


SCHEMATIC RECOMMENDED

技术要求:

1. 1.1: 额定电流: 1A
  - 1.1 接触阻抗: 50mΩ以下;
  - 1.2 绝缘阻抗: 100MΩ以上;
  - 1.3 耐电压: 500V AC以上;
  - 1.4 耐插拔: 10,000次以上;
  - 1.5 插拔力:
    - 寿命测试前: 7~30N
    - 寿命测试后: 4~30N
2. 产品符合RoHS环保标准要求。

07	HOUSING	1 PCS	HIGH TEMPERATURE PLASTIC	BLACK,UL94V-HB
06	CONTACT D	1 PCS	STAINLESS STEEL T=0.20mm	Au: G/F-PLATED
05	CONTACT E	1 PCS	STAINLESS STEEL T=0.20mm	Au: G/F-PLATED
04	CONTACT B	1 PCS	PHOSPHOR BRONZE T=0.20mm	Au: G/F-PLATED
03	CONTACT B	1 PCS	PHOSPHOR BRONZE T=0.20mm	Au: G/F-PLATED
02	CONTACT A	1 PCS	PHOSPHOR BRONZE T=0.20mm	Au: G/F-PLATED
01	CONTACT A	1 PCS	PHOSPHOR BRONZE T=0.20mm	Au: G/F-PLATED
ITEM	PART NAME	Q'TY	MATERIAL	DESCRIPTION



品赞科技  
b-Switch

Unless otherwise specified, Tolerance:  
X.           ±0.30  
X.x         ±0.20  
X.xx        ±0.15  
X.xxx       ±0.10  
Angles      ±3°

G-Switch Electronic (HongKong) CO.,Ltd.

DESIGN	陈锋枫	DATE	2016.05.29	TITLE:		
CHECKED		DATE		ST-0336D00-061-1A2H		
APPROVED		DATE		REV.:	X1	SCALE: 4:1
http://www.dg-switch.com				UNIT:	mm	
TEL:0769-82388879				SIZE:	A4	SHEET: 1/1