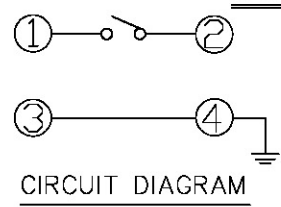
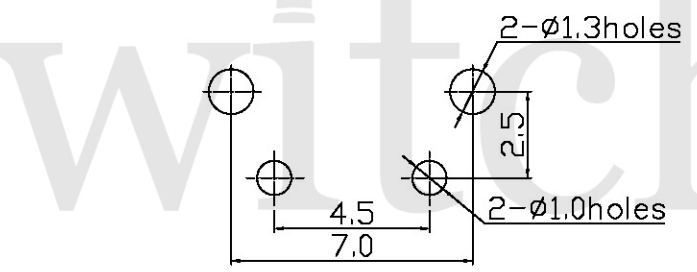
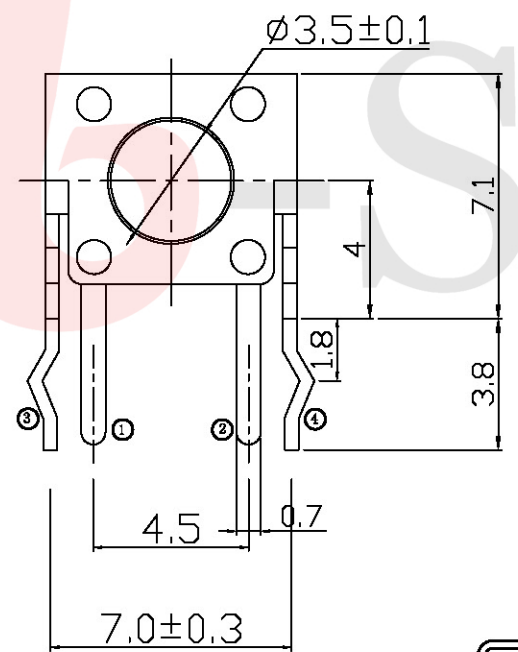


GT-TC100X-HXXX-LX



G-SWITCH

Operating Force
 A=160gf
 B=250gf
 C=100gf
 D=70gf
 E=130gf
 F=320gf
 G=400gf

Switch lifetime (Force)
 L05=50,000 Cycles
 L1=100,000 Cycles
 L3=300,000 Cycles
 L5=500,000 Cycles

Switch Height (mm)
 H043=4.3(A3.5) H045=4.5(A3.5)
 H050=5.0(A3.5) H055=5.5(A3.5)
 H060=6.0(A3.5) H065=6.5(A3.5)
 H070=7.0(A3.3) H080=8.0(A3.3)
 H085=8.5(A3.3) H090=9.0(A3.3)
 H095=9.5(A3.0) H100=10.0(A3.0)
 H105=10.5(A3.0) H110=11.0(A3.0)
 H115=11.5(A3.0) H120=12.0(A3.0)
 H125=12.5(A3.0) H130=13.0(A3.0)
 H135=13.5(A3.0) H140=14.0(A3.0)
 H145=14.5(A3.0) H150=15.0(A3.0)
 H155=15.5(A3.0) H160=16.0(A3.0)
 H165=16.5(A3.0) H170=17.0(A3.0)

G-Switch Specification:
 Operating temperature range: -30°C to +85°C
 Rating: 50mA, 12V DC
 Insulation resistance: 100MΩ min. 100V DC
 Dielectric strength: 250V AC for 1 min
 Contact resistance: 100mΩ max.
 Travel: 0.25±0.1mm

	G-Switch Electronic (HongKong) CO.,Ltd.	
	DESIGN FengFengChen	DATE 2019.05.29
	CHECKED	DATE
	APPROVED	DATE
	http://www.dg-switch.com	
Unless otherwise specified, Tolerance: X. ±0.30 X.x ±0.20 X.xx ±0.15 X.xxx ±0.10 Angles ±3°		Molde code: GT-TC100X-HXXX-LX
TEL:0769-82388879		REV.: X1 SCALE: 4:1 UNIT: mm SIZE: A4 SHEET: 1/1