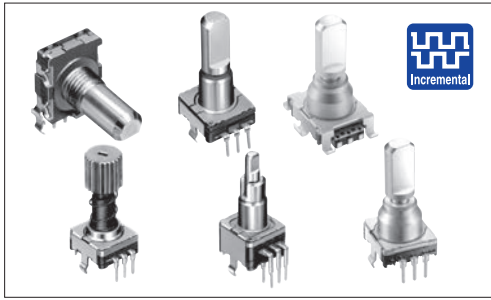




Compact and highly reliable type available in many varieties.



Typical Specifications

Items	Specifications
Output signal	Two phase of A, B Three phase of A, B and C (EC11EH) Self-return switch (EC111 / EC11E0B)
Rating	10mA 5V DC
Operating life	15,000 cycles 30,000 cycles (EC11EH) 100,000 cycles (EC11K / EC11J)
Operating temperature range	- 40°C to + 85°C

Product Line

Structure	Shaft configuration	Length of the shaft (L _s) (mm)	Torque (mN·m)	Number of detent	Number of pulse	Push-on switch	Travel of push-on switch (mm)	Operating life (cycles)	Minimum order unit (pcs.)		Product No.	Drawing No.	
									Japan	Export			
Horizontal	Flat	20	12 ± 7	30	15	Without	—	15,000	700	1,400	EC11B15202AA	1	
						With	0.5				EC11B15242AE	2	
							1.5				EC11B15242AF	3	
Vertical	Flat	20	10 ± 7	18	9	Without	—	15,000	1,200	2,400	EC11E09204A4	4	
				30							EC11E15204A3		
				7 ± 3/4	Without						EC11E1530401		
			10 ± 7	36	18	Without	EC11E1820402						
				7 ± 3/4							Without	EC11E1830401	
			10 ± 7	18	9	With	0.5				5		
				30								EC11E09244BS	
			7 ± 3/4	Without	EC11E15244G1								
			10 ± 7	36	18	Without	EC11E153440D						
				7 ± 3/4								Without	EC11E18244AU
			10 ± 7	18	9	With	1.5					EC11E183440C	
				30								EC11E09244AQ	
			7 ± 3/4	Without	EC11E15244B2								
			10 ± 7	36	18	Without	EC11E1534408						
				7 ± 3/4								Without	EC11E18244A5
Less shaft wobble	Serrated	25	12 ± 7	30	15	Without	—	100,000	1,000	2,000		EC11E1834403	6
			8.5 ± 5	Without		EC11G1560414							
			12 ± 7	30		With	1.5					EC11G1574402	
Vertical	Flat	20	12 ± 5	18	9	Without	—	100,000	1,000	2,000		EC11K0920401	9
				30	15							EC11K1520401	
				With	0.5	18	9				10		
						30	15					EC11K0924401	
						18	9					EC11K1524402	
						30	15					EC11K0925401	
						30	15					EC11K1525401	

Note

Other varieties are also available. Please inquire.

Refer to P.167 for product specifications.
Refer to P.167 for attached parts.
Refer to P.168 for product varieties.
Refer to P.193 for soldering conditions.

Product Line

	Structure	Shaft configuration	Length of the shaft (L ₁ , L ₂) (mm)	Torque (mN·m)	Number of detent	Number of pulse	Push-on switch	Travel of push-on switch (mm)	Operating life (cycles)	Minimum order unit (pcs.)		Product No.	Drawing No.					
										Japan	Export							
Detector	Reflow	Flat	20	12 ± 5	18	9	Without	—	100,000	300	600	EC11J0920404	11					
Slide					30	15						EC11J152040F						
Push					18	9	With	0.5				EC11J0924411	12					
Rotary					30	15						EC11J1524413						
Encoders					18	9						EC11J0925403						
Power					30	15						EC11J1525402						
Dual-in-line Package Type	Push lock	20-tooth Serrated	25	10 ± 7	30	15	Without	—	15,000	800	1,600	EC11E152T409	13					
TACT Switch™			26.4				With	8				EC11E152U402	14					
	Self-return switch	Flat	15	3 to 30	Without	Self-return switch	Without	—	15,000	1,200	2,400	EC1110120005	15					
			20					10 ± 7				18	ABC switch	With	0.5	30,000	EC111012010H	16
																	30	
	ABC switch	Flat	20	10 ± 7	18	ABC switch	With	0.5	30,000	1,200	2,400	EC11EH124403	17					
												30		18	EC11EH224403			
	Dual-shaft	Flat	20	10 ± 7	30	15	With	1.5	30,000	1,200	2,400	EC11EH124404						
												EC11EH224404						
Metal Shaft	Dual-shaft	Inner-shaft=25	3 to 30	Without	30	15	Without	0.5	15,000	700	1,400	EC11EBB24C03	18					
Insulated Shaft		Slotted						Outer-shaft=15				With	1.5	EC11E0B2LB01	19			
Hollow Shaft		Flat						Inner-shaft=25				Without	—					
Ring Type	Slotted	Outer-shaft=15	3 to 30	Without	Self-return switch	Without	—											

Note

Other varieties are also available. Please inquire.

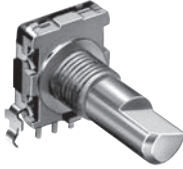
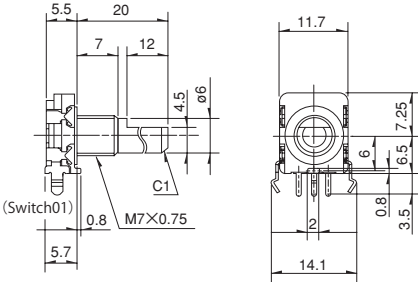
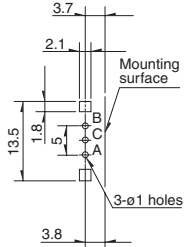
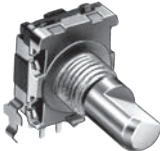
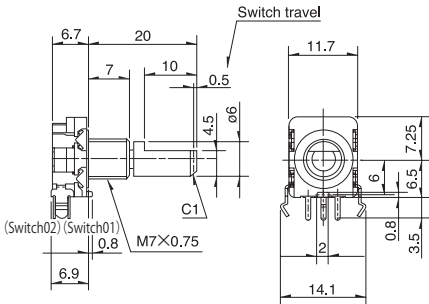
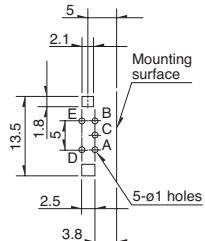
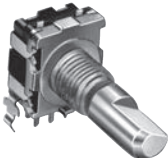
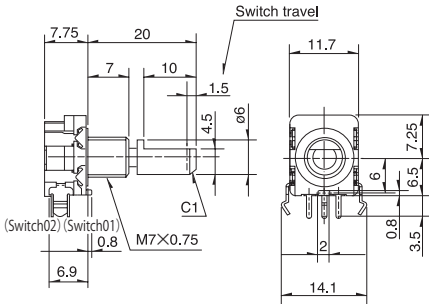
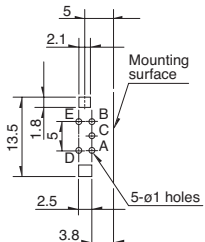

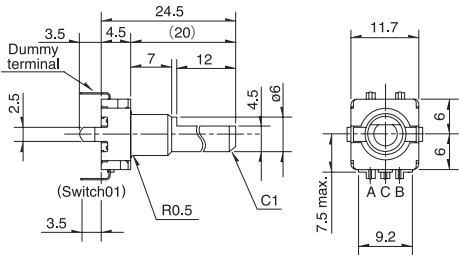
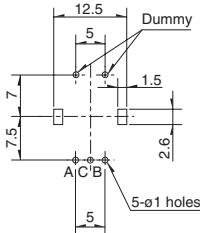

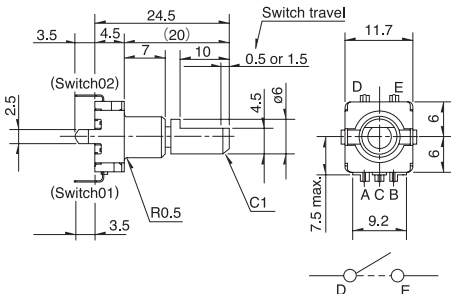
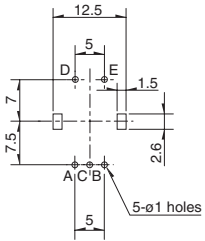
Packing Specifications

Tray

Product No.	Number of packages (pcs.)		Export package measurements (mm)
	1 case / Japan	1 case / export packing	
EC11B	700	1,400	370 × 520 × 201
EC11E09 / 15 / 18 / EC11EH	1,200	2,400	540 × 360 × 250
EC11G / EC11K	1,000	2,000	
EC11J	300	600	369 × 283 × 263
EC11E152T / U	800	1,600	363 × 507 × 230
EC111	1,200	2,400	363 × 507 × 216
EC11E0B / BB	700	1,400	

Dimensions

Unit:mm

No.	Photo	Style	PC board mounting hole dimensions (Viewed from mounting side)
1	 <p>EC11B Horizontal</p>	 <p>(Switch01) C1 M7×0.75</p>	 <p>Mounting surface 3-φ1 holes</p>
2	 <p>EC11B Horizontal with push-on switch (travel 0.5mm)</p>	 <p>Switch travel (Switch02) (Switch01) C1 M7×0.75</p>	 <p>Mounting surface 5-φ1 holes</p>
3	 <p>EC11B Horizontal with push-on switch (travel 1.5mm)</p>	 <p>Switch travel (Switch02) (Switch01) C1 M7×0.75</p>	 <p>Mounting surface 5-φ1 holes</p>
4	 <p>EC11E Vertical</p>	 <p>Dummy terminal (Switch01) R0.5 C1</p>	 <p>Dummy 5-φ1 holes</p>
5	 <p>EC11E Vertical with push-on switch (travel 0.5 / 1.5mm)</p>	 <p>Switch travel (Switch02) (Switch01) R0.5 C1</p> <p>D E</p>	 <p>5-φ1 holes</p>

Detector

Slide

Push

Rotary

Encoders

Power

Dual-in-line
Package Type

TACT Switch™

Metal
Shaft

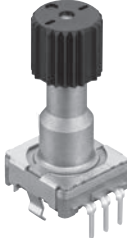
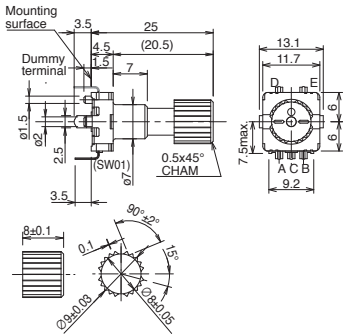
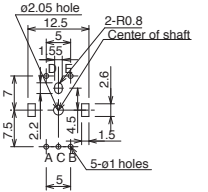
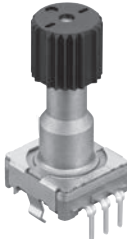
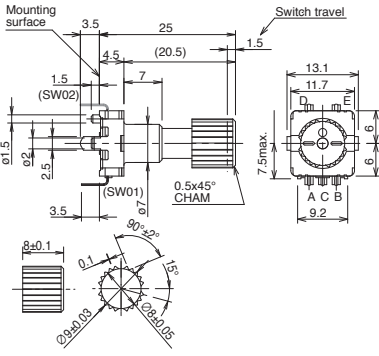
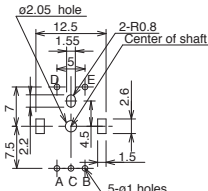
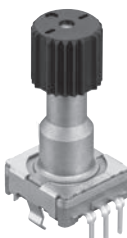
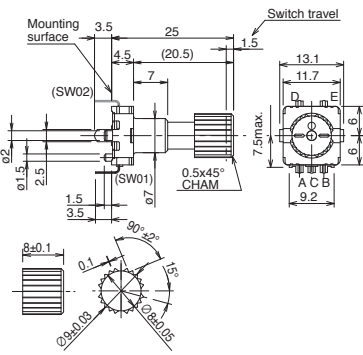
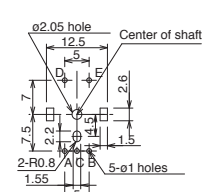

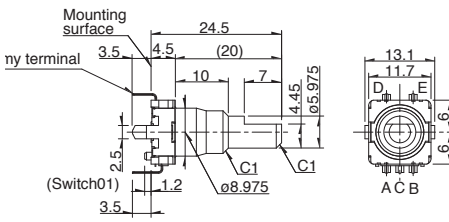
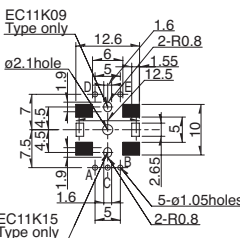

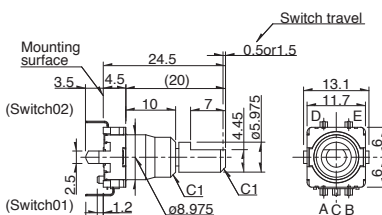
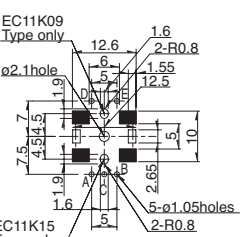
Insulated
Shaft

Hollow
Shaft

Ring
Type


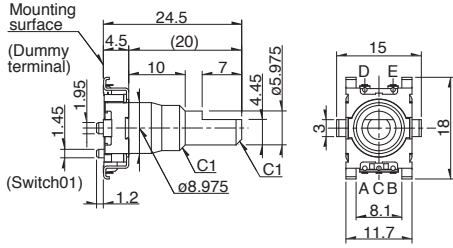
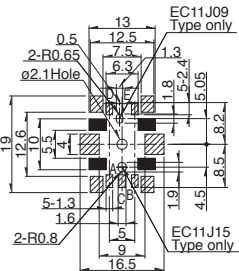

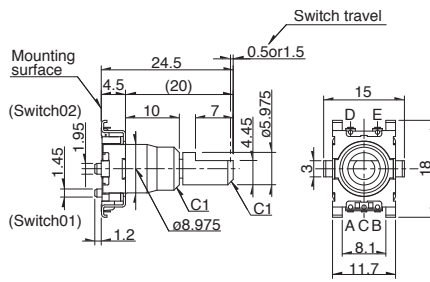
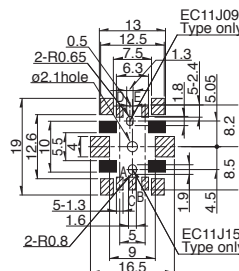

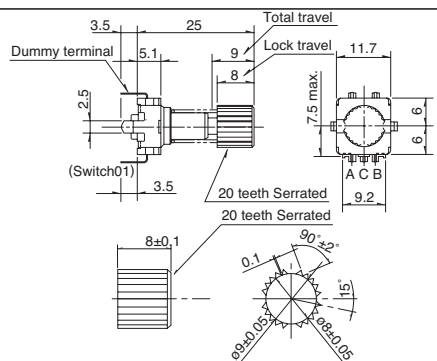
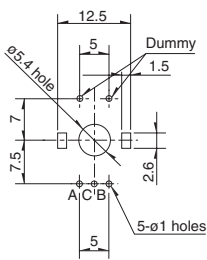

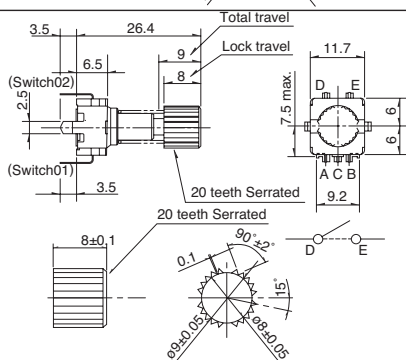
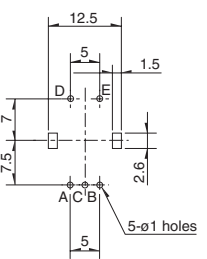

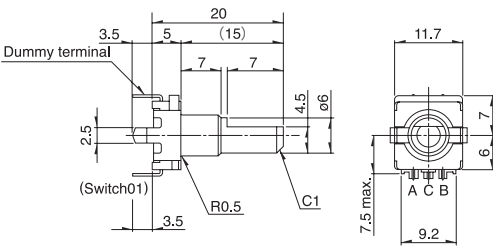
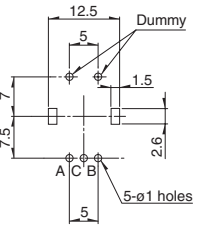
Dimensions

Unit:mm

Detector	Slide	Push	Rotary	Encoders	Power	Dual-in-line Package Type	TACT Switch™	Metal Shaft	Insulated Shaft	Hollow Shaft	Ring Type	
No.	Photo	Style					PC board mounting hole dimensions (Viewed from mounting side)					
6												
7												
8												
9							 <p data-bbox="1161 1686 1369 1720">Black part : Do not solder and no wiring for electrical contact.</p>					
10							 <p data-bbox="1161 2045 1369 2078">Black part : Do not solder and no wiring for electrical contact.</p>					

Dimensions

Unit:mm

No.	Photo	Style	PC board mounting hole dimensions (Viewed from mounting side)
11	 <p>EC11J Reflow</p>	 <p>Mounting surface (Dummy terminal) (Switch01) 24.5 4.5 (20) 10 7 4.45 ø8.975 1.45 1.95 1.2 C1 15 D E F A C B 8.1 11.7</p>	 <p>EC11J09 Type only EC11J15 Type only 2-R0.65 ø2.1Hole 13 12.5 7.5 6.3 1.3 1.8 1.5 5.05 19 12.6 10 5.5 4 5-1.3 1.6 2-R0.8 5 9 16.5 8.2 4.5 8.5 19 12.6 10 5.5 4 5-1.3 1.6 2-R0.8 5 9 16.5 8.2 4.5 8.5</p> <p>A slant line part: The solder land Black part: Do not solder and wiring for electrical contact</p>
12	 <p>EC11J with push-on switch (travel 0.5mm / 1.5mm)</p>	 <p>Mounting surface (Switch02) (Switch01) 24.5 4.5 (20) 10 7 4.45 ø8.975 1.45 1.95 1.2 C1 15 D E F A C B 8.1 11.7 Switch travel 0.5or1.5</p>	 <p>EC11J09 Type only EC11J15 Type only 2-R0.65 ø2.1hole 13 12.5 7.5 6.3 1.3 1.8 1.5 5.05 19 12.6 10 5.5 4 5-1.3 1.6 2-R0.8 5 9 16.5 8.2 4.5 8.5</p> <p>A slant line part: The solder land Black part: Do not solder and wiring for electrical contact</p>
13	 <p>EC11E152T Push-lock mechanism</p>	 <p>Dummy terminal (Switch01) 25 3.5 5.1 9 8 Lock travel 11.7 7.5 max. 6 6 A C B 9.2 20 teeth Serrated 20 teeth Serrated 8±0.1 0.1 90±0.2° ø9±0.05 ø8±0.05 15°</p>	 <p>12.5 5 5 Dummy 1.5 ø5.4 hole 7 7.5 2.6 5 5-ø1 holes A C B</p>
14	 <p>EC11E152U Push-lock mechanism with push-lock switch</p>	 <p>Dummy terminal (Switch02) (Switch01) 26.4 3.5 6.5 9 8 Lock travel 11.7 7.5 max. 6 6 A C B 9.2 20 teeth Serrated 20 teeth Serrated 8±0.1 0.1 90±0.2° ø9±0.05 ø8±0.05 15° D E</p>	 <p>12.5 5 5 1.5 7 7.5 2.6 5 5-ø1 holes A C B</p>
15	 <p>EC111 Self-return switch</p>	 <p>Dummy terminal (Switch01) 20 3.5 5 7 7 4.5 ø6 R0.5 C1 11.7 7.5 max. 6 7 A C B 9.2</p>	 <p>12.5 5 5 Dummy 1.5 7 7.5 2.6 5 5-ø1 holes A C B</p>

Detector

Slide

Push

Rotary

Encoders

Power

Dual-in-line
Package Type

TACT Switch™

Metal Shaft

Insulated Shaft

Hollow Shaft

Ring Type

Dimensions

Unit:mm

Detector

Slide

Push

Rotary

Encoders

Power

Dual-in-line
Package Type


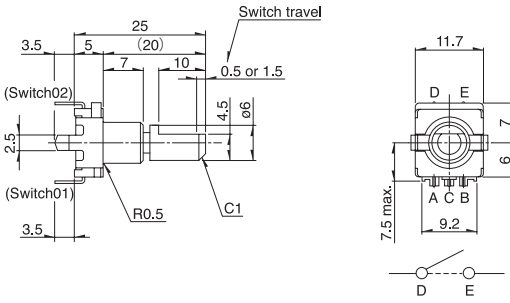
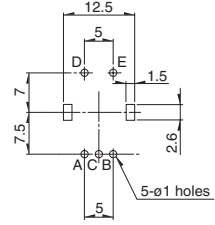
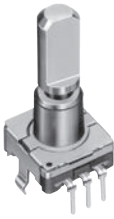
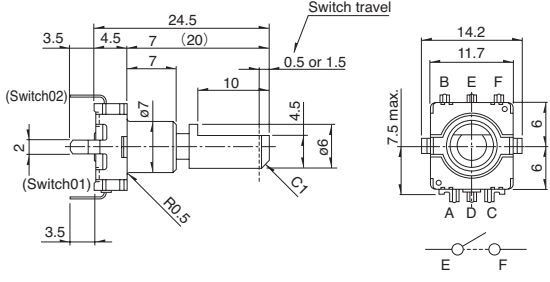
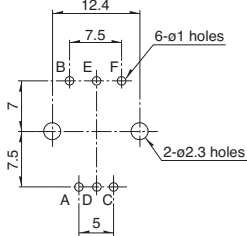
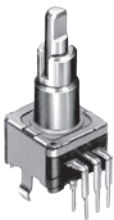
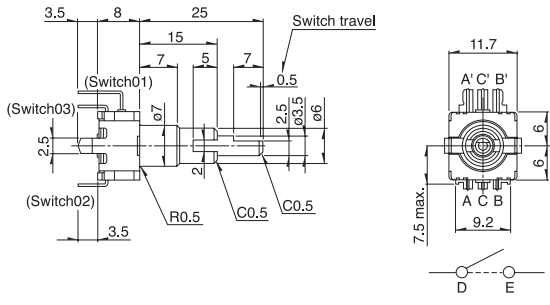
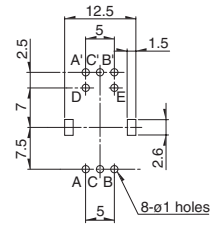
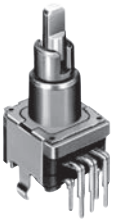
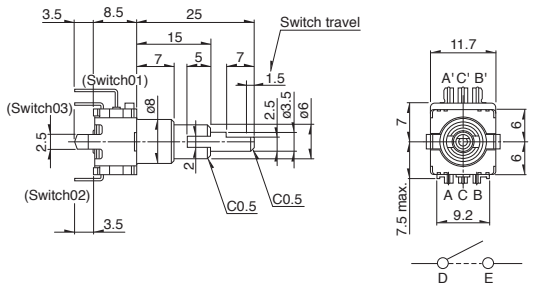
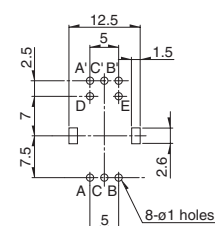
TACT Switch™

Metal
Shaft

Insulated
Shaft

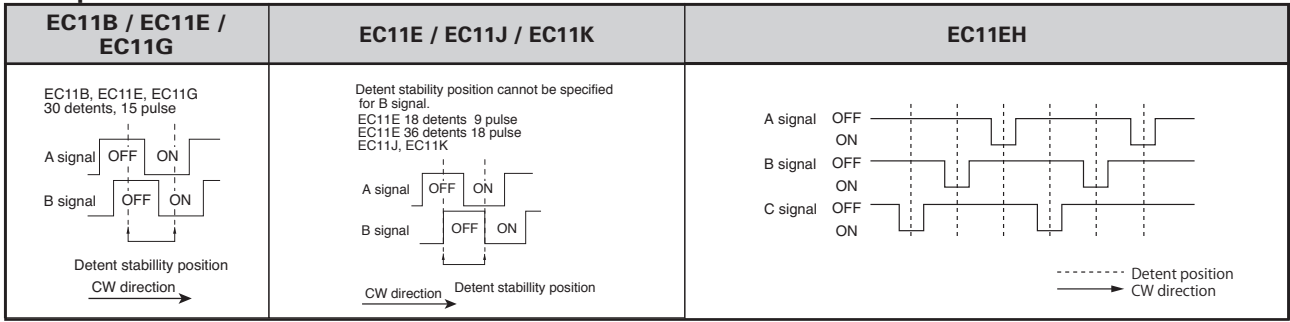
Hollow
Shaft

Ring
Type

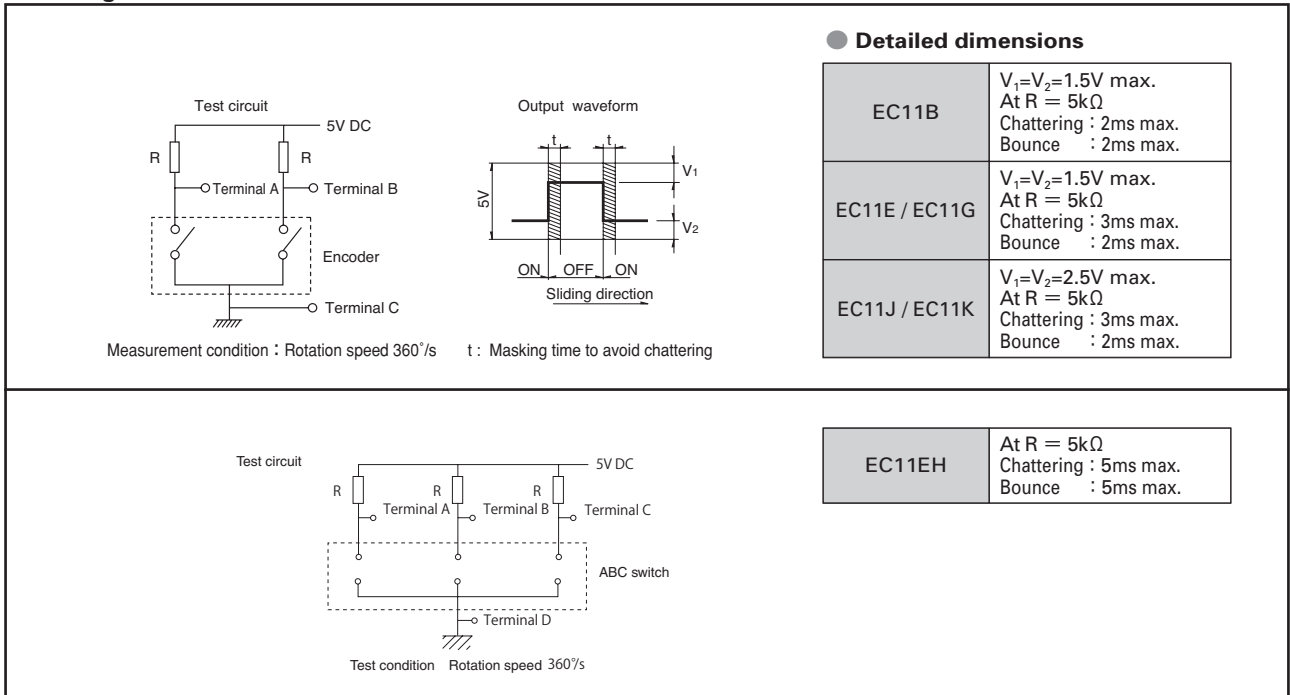
No.	Photo	Style	PC board mounting hole dimensions (Viewed from mounting side)
16	<p>EC111 Self-return switch with push-on switch (travel 0.5mm / 1.5mm)</p> 		
17	<p>EC11EH ABC switch with push-on switch (travel 0.5mm / 1.5mm)</p> 		
18	<p>EC11E Dual-shaft type with push-on switch (travel 0.5mm) Inner shaft: encoder Outer shaft: encoder</p> 		
19	<p>EC11E Dual-shaft type with push-on switch (travel 1.5mm) Inner shaft: encoder Outer shaft: self-return switch</p> 		

11mm Size Metal Shaft Encoders / Product Specifications

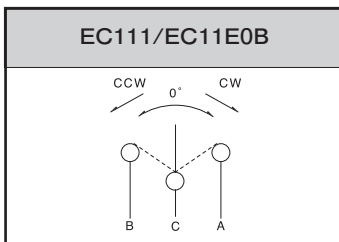
Output Wave



Sliding Noise



Circuit Diagram

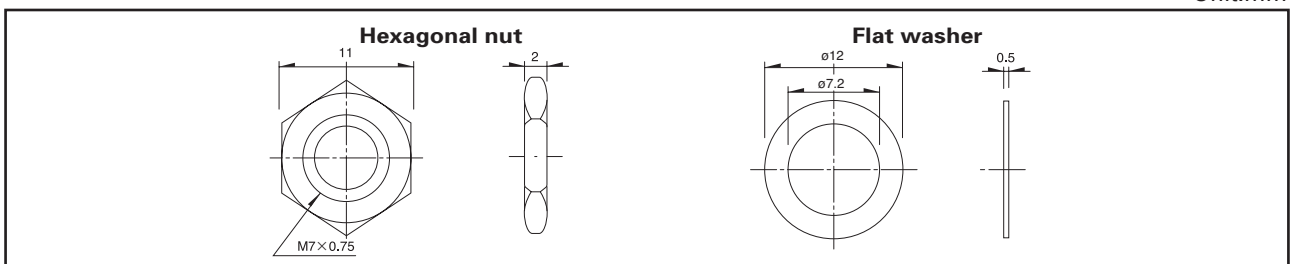


11mm Size Metal Shaft Encoders / Attached Parts

The following parts are included with the product.

EC11B Series

Unit:mm



Shaft Dimensions

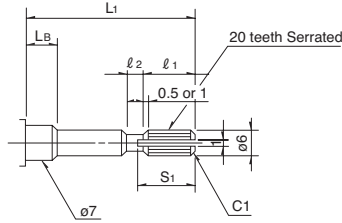
1. Single-shaft Type (EC11K is excluded. Refer to P.212 for EC11K)

1) Serrated Type

Unit:mm

EC11 Configuration (Shaft diameter : ϕ 6)

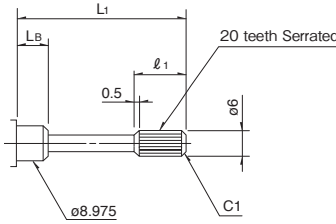
Not applicable for EC11E and EC11G with push-lock mechanism



● Detailed dimensions

L_1	L_B	l_1	l_2	S_1
20	7	6	1	7
25	10	10	2	11

EC11K / EC11J Configuration (Shaft diameter : ϕ 6)



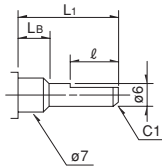
● Detailed dimensions

L_1	L_B	l_1
15	7	5
20	10	6

2) Flat Type

Unit:mm

EC11 Configuration (Shaft diameter : ϕ 6)

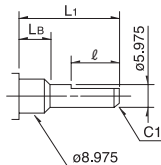


● Detailed dimensions

	L_1	L_B	l
※1	15	5	7
	15	7	5 (6)
	20	7	10 (12)
※2	25	10	12

※ 1 Does not comply with EC111
 ※ 2 $L_B=7$ for EC11B.
 Values in parentheses apply to products without push-on switch.

EC11K / EC11J Configuration (Shaft diameter : ϕ 5.975)



● Detailed dimensions

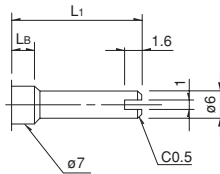
L_1	L_B	l
15	7	5
20	10	7

Dimensions marked with () apply to products without push-on switches.

3) Slotted Type

Unit:mm

EC11 Configuration (Shaft diameter : ϕ 6)

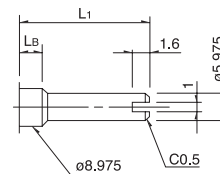


● Detailed dimensions

L_1	L_B
15	7
20	7
※ 25	10

※ $L_B=7$ for EC11B.

EC11K / EC11J Configuration (Shaft diameter : ϕ 5.975)



● Detailed dimensions

L_1	L_B
15	7
20	10

Notes

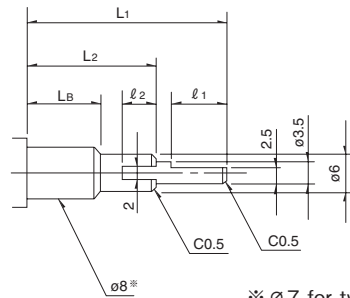
- The highlighted figures in shaft types refer to Product Specifications in P.161 and P.162.
- Other varieties are also available. Please inquire.

2. Standard Dimensions and configuration of Dual-shaft Type

1) Flat Type

Unit:mm

Configuration (Inner-shaft : ϕ 3.5 Outer-shaft : ϕ 6)



● Detailed dimensions

L ₁	L ₂	L _B	l ₁	l ₂
20	10	5	7	4
25	15	7	7	5
30	20	10	7	5

※ ϕ 7 for type with inner / outer shaft encoders (EC11EBB)

Notes

- The highlighted figures in shaft types refer to Product Specifications in P.162
- Other varieties are also available. Please inquire.

Detector

Slide

Push

Rotary

Encoders

Power

Dual-in-line
Package Type

TACT Switch™










Metal
Shaft

Insulated
Shaft

Hollow
Shaft

Ring
Type

List of Varieties

Type	Metal shaft										
	9mm size		11mm size								
Series	EC09E		EC11B		EC11E				EC11G		
Photo											
Output	Incremental (Two phase A and B)										
Shaft types	Single-shaft					Dual-shaft		Single-shaft			
Operating direction	Vertical		Horizontal		Vertical						
Number of pulse / Number of detent	15 / 30				9 / 18 15 / 30 or Without 18 / 36 or Without				15 / 30 or Without		
Features	—		—		Without detent Push-lock mechanism			—		Less shaft wobble	
Dimensions (mm)	W	9.5		11.7							
	D			13.8		12					
	H	4.5		5.5		4.5		8 / 8.5		4.5	
Operating temperature range	-40°C to + 85°C										
Operating life	15,000 cycle										
Automotive use	●		●		●				●		
Life cycle (availability)											
Electrical performance	Rating	10mA 5V DC									
	Max./min. operating current (Resistive load)	10mA / 1mA									
	Insulation resistance	100M Ω min. 250V DC									
	Voltage proof	300V AC for 1 minute or 360V AC for 1s		300V AC for 1 minute or 360V AC for 2s							
Mechanical performance	Rotational torque (Without detent)	—		—		7 ± 3 mN·m		—		8.5 ± 5 mN·m	
	Detent torque	8 ± 5mN·m		12 ± 7mN·m		10 ± 7mN·m				12 ± 7 mN·m	
	Push-pull strength	100N									
Shaft configuration	Flat		Flat, Slotted, Serrated				Inner-shaft: Flat Outer-shaft: Slotted		Serrated		
Terminal type	Insertion										
Switch Specifications	Switch type	Push-on switch					Push-lock mechanism switch※	Push-on switch			
	Contact arrangement	Single pole and single throw (Push-on)									
	Travel (mm)	0.5 ± 0.3	1.5 ± 0.5	0.5 ± 0.3	1.5 ± 0.5	0.5 ± 0.3	1.5 ± 0.5	8 ± 0.8	0.5 ± 0.3	1.5 ± 0.5	1.5 ± 0.35
	Operating force (N)	6 ± 2.5	4 ± 2	6 ± 3	5 ± 2	6 ± 2.5	4 ± 2	8 max.	6 ± 2.5	4 ± 2	5 ± 2
	Rating	10mA 5V DC		0.1A 5V DC (500 μA 5V DC min. ratings)							
	Contact resistance	100m Ω max. for initial period; 200m Ω max. after operating life.									
	Operating life	10,000 times min.		25,000 times min.	20,000 times min.			10,000 times min.	20,000 times min.		
Page	160				161						

- Encoders Soldering Conditions 193
- Encoders Cautions 194

Notes

1. ※ marked specification is only applicable to EC11E152U402.
2. ● indicates applicability to all products in the series.

Detector

Slide

Push

Rotary

Encoders

Power

Dual-in-line
Package Type

TACT Switch™

Metal
Shaft

Insulated
Shaft

Hollow
Shaft

Ring
Type

Encoders

List of Varieties

Type	Metal shaft									
	11mm size				20mm size					
Series	EC111	EC11EH	EC11K	EC11J	EC20A / RK203	EM20B				
Detector	Photo									
Slide	Photo									
Push	Self-return switch		Incremental (Three phase A, B and C)							
Rotary	Incremental (Two phase A and B)									
Encoders	Single-shaft									
Power	Vertical									
Dual-in-line Package Type	Number of pulse / Number of detent									
TACT Switch™	—	6×ABC / 18 10×ABC / 30	9 / 18 15 / 30		18 / 18	40 / 40				
	Features									
	—	—	—	Surface Mount Type		Magnetic type; LED indicator option				
Dimensions (mm)	W	11.7				20.2	20			
	D	13	12		14.2	19.2	22.25			
	H	5	4.5			10	13			
Operating temperature range		-40°C to + 85°C			-30°C to + 80°C	-10°C to + 70°C				
Operating life		15,000 cycles	30,000 cycles	100,000 cycles		30,000 cycles	500,000 rotations			
Automotive use		●	●	●	●	●	—			
Life cycle (availability)										
Electrical performance	Rating	10mA 5V DC				1mA 5V DC	10mA 5V±5% DC			
	Max./min. operating current (Resistive load)	10mA / 1mA				—	15mA / —			
	Insulation resistance	100M Ω min. 250V DC				10MΩ min. 50V DC	100MΩ min. 250V DC			
	Voltage proof	300V AC for 1 minute or 360V AC for 2s		300V AC for 1 minute or 360V AC for 1s		50V AC for 1 minute or 60V AC for 2s	300V AC for 1 minute or 360V AC for 2s			
Mechanical performance	Rotational torque (Without detent)	3 to 30mN·m		—			7mN·m max.			
	Detent torque	—	10±7mN·m	12 ± 5mN·m		40±20mN·m	8±5mN·m			
	Push-pull strength	100N								
Shaft configuration		Flat, Slotted, Serrated				Flat				
Terminal type		Insertion			Reflow	Insertion				
Switch Specifications	Switch type	Push-on switch								
	Contact arrangement	Single pole and single throw (Push-on)								
	Travel (mm)	0.5 ± 0.3	1.5 ± 0.5	0.5 ± 0.3	1.5 ± 0.5	0.5 ± 0.3	1.5 ± 0.5	0.5 ± _{-0.3} ^{+0.4}		
	Operating force (N)	6 ± ₋₂ ^{+2.5}	4 ± 2	6 ± ₋₂ ^{+2.5}	4 ± 2	5 ± 2	4 ± 2	5 ± 2	4 ± 2	6 ± 3
	Rating	0.1A 5V DC (500 μA 5V DC min. ratings)			0.1A 5V DC (0.1mA 5V DC min. ratings)		0.5A 16V DC (1mA 16V DC min. ratings)	0.1A 5V DC		
	Contact resistance	100m Ω max. for initial period; 200m Ω max. after operating life.								
	Operating life	20,000 times min.		1,000,000 times min.	100,000 times min.	1,000,000 times min.	100,000 times min.	20,000 times min.	25,000 times min.	
Page	161				170	172				

- Encoders Soldering Conditions 193
- Encoders Cautions 194

Note ● indicates applicability to all products in the series.

Encoders Soldering Conditions

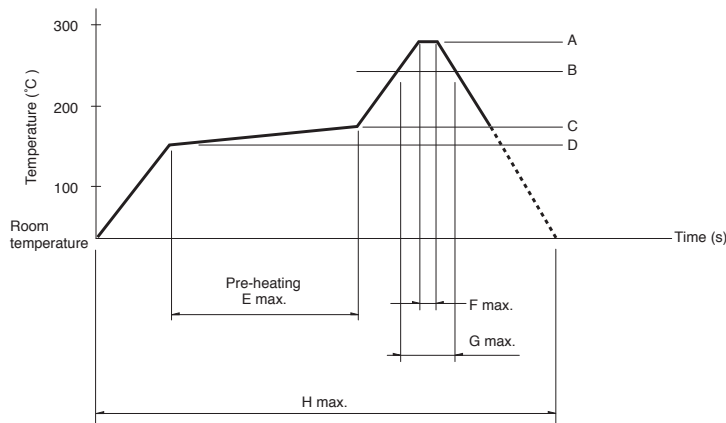
Reference for Hand Soldering

Series	Tip temperature	Soldering time	No. of solders
EC05E, EC09E, EC10E, EC111, EC11B, EC11E, EC11G, EC11K, EC12D, EC12E, EC18A, EC20A, EC21A, EC28A, EC35A, EC35AH, EC35B, EC40A, EC45A, EC50A, EC60A, EM20B	350°C max.	3s max.	1 time
EC11J	350±10°C	3 ⁺¹ ₀ s	2 time

Reference for Dip Soldering

Series	Preheating		Dip soldering		No. of solders
	Soldering surface temperature	Heating time	Soldering temperature	Soldering time	
EC09E, EC11B, EC111, EC11E, EC11G, EC11K, EC18A, EC20A, EC21A, EC28A, EC35A, EC35AH, EC35B, EC50A	100°C max.	2 min. max.	260±5°C	5±1s	2 time max.
EC10E, EC12D, EC12E	100°C max.	1 min. max.	260±5°C	3±1s	2 time max.
EC40A	110°C max.	1 min. max.	260°C max.	10s max.	1 time
EC45A, EC60A	100°C max.	2 min. max.	260°C max.	5s max.	2 time max.
EM20B	80°C max.	1 min. max.	260°C max.	3s max.	2 time max.

Condition for Reflow Temperature profile



Series	A	B	C	D	E	F	G	H	No. of reflows
EC11J	260°C	230°C	180°C	150°C	2 min.max.	3s	40s	4 min. max	2 time max.
EC05E	250°C min.	230°C min.	180°C	150°C	60s to 120s	—	30s to 40s	—	2 time max.

Notes

1. When using an infrared reflow oven, solder may sometimes not be applied. Be sure to use a hot air reflow oven or a type that uses infrared rays in combination with hot air.
2. The temperatures given above are the maximum temperatures at the terminals of the potentiometer when employing a hot air reflow method. The temperature of the PC board and the surface temperature of the potentiometer may vary greatly depending on the PC board material, its size and thickness. Ensure that the surface temperature of the potentiometer does not rise to 250°C or greater.
3. Conditions vary to some extent depending on the type of reflow bath used. Be sure to give due consideration to this prior to use.

Detector

Slide

Push

Rotary

Encoders

Power

Dual-in-line
Package Type

TACT Switch™

Metal
Shaft

Insulated
Shaft

Hollow
Shaft

Ring
Type