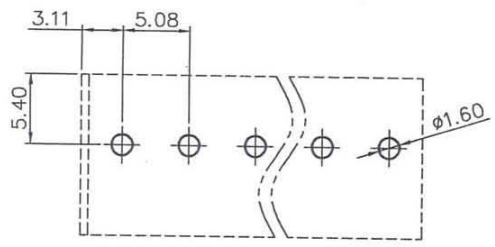
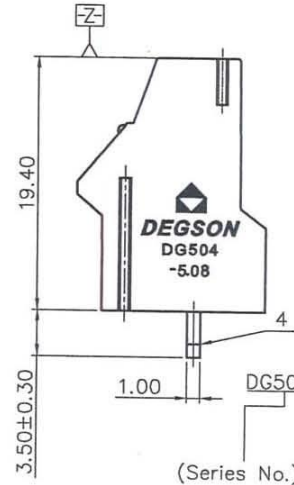
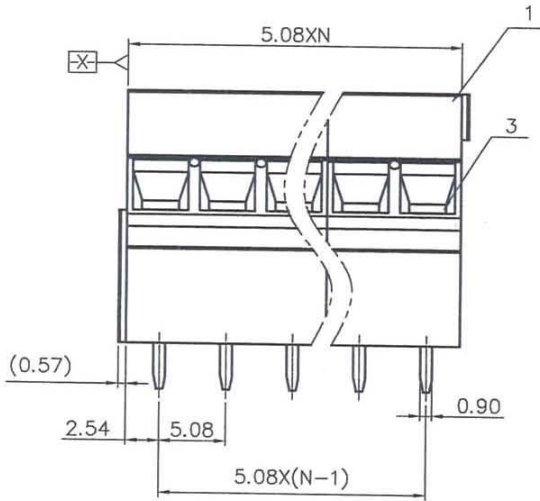
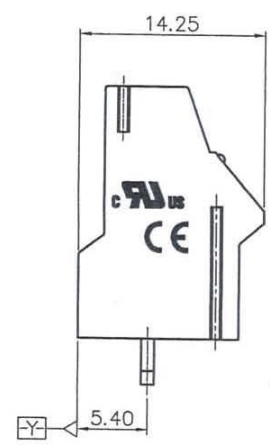
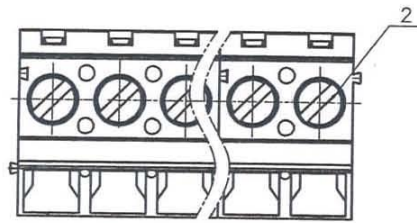


REVISION RECORD				
REV	ECN	DESCRIPTION	DRFT	DATE



PCB LAYOUT

4	Pin header	Copper alloy	Sn plated
3	Cage	Copper alloy	M3/Ni plated

NOTES1:

- UL Standard  
 1. Rated voltage/current : 300V / 20A  
 2. Withstanding voltage : AC1600V/1Min.  
 3. Torque value : M3 , 4.43Lb.in  
 4. Wire range : 30~12AWG

IEC Standard

1. Pollution degree	2	2	3
Overvoltage category	II	III	III
Rate impulse voltage(KV)	4KV	4KV	4KV
Rate voltage(V)	630V	400V	250V
Rate current(A)	20A		

2. Torque value : M3 , 0.5N·m  
 3. Wire range : 0.2~2.5mm<sup>2</sup>

NOTES2:

1. Dimension shall be interpreted per ASME Y14.5-2009  
 2. Pitch : 5.08mm, Poles : N=02~XXP  
 3. Stripping length : 10~11mm  
 4. Operating temperature : -40°C~+105°C  
 5. Undimensioned tolerances:

Pitch range in mm		Nominal dimension range in mm					
TO	Over	TO	Over	TO	Over	TO	Over
6	6	10	10	30	30	60	60
10	10	24	24	30	30	60	60
15	15	30	30	60	60	100	100
±0.15	±0.20	±0.30	±0.30	±0.50	±0.70	±1.00	±1.30

6. RoHS Compliance

DG504 - 5.08 - XXP - 1Y - 00A (H)  
 (Series No.) (Pitch) (Poles) (Single (Color): Pitch) 1.(Grey) 2.(Blue) 3.(Black) 4.(Green) 5.(Orange) 6.(Red) 7.(Transparent) 8.(Yellow) 9.(White)  
 (RoHS) 00A-(Standard)

2	Screw	Steel	M3/Zn Plated
1	Housing	PA66	UL94V-0
ITEM	NAME OF PART	MATERIAL	NOTES

PART NO.: /

APPD: *Aaron 7/17/17*

CHKD: *Shm 7/17/17*

DRFT: GYZ 3/19/15"

DETAILED LISTS

THIRD ANGLE PROJECTION

NINGBO DEGSON ELECTRICAL CO., LTD

NAME: DG504-5.08-XXP-1Y-00A(H)

TITLE: CUSTOMER DRAWING

DRAWING NO.: DG504-5.08-C01

MM (INCH)

DO NOT SCALE DRAWING

REV	TO
1	1/1
SHEET	SCALE
1/1	1:1