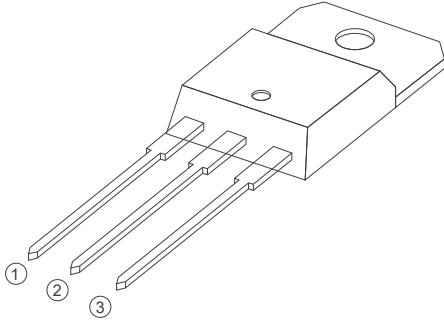
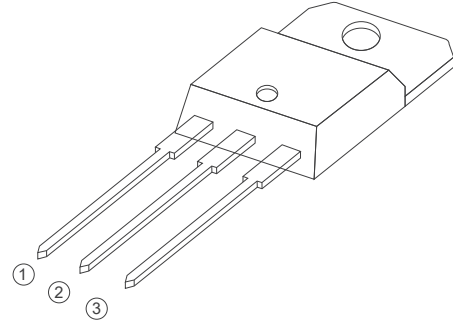


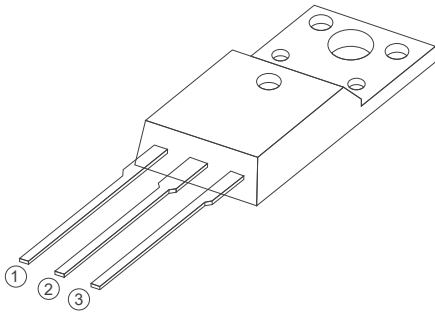
BTA/BTB16 Series  
16A TRIACs  
3 Quadrants  
4 Quadrants



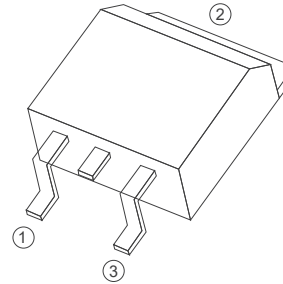
TO-220A Insulated



TO-220B Non-Insulated



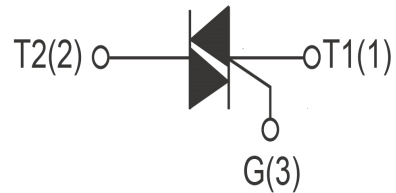
TO-220F Insulated



TO-263

## FEATURES

>  $I_T(RMS)$ : 16A >  $V_{GT}$ :  $\leq 1.5V$  >  $V_{DRM}$   $V_{RRM}$ : 800V and



## APPLICATIONS

Washing machine, vacuums, massager, solid state relay, AC Motor speed regulation and so on.

## Absolute Maximum Ratings (T<sub>J</sub>=25°C unless otherwise specified)

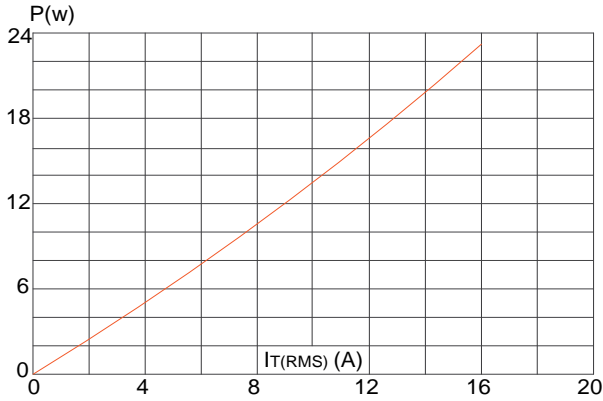
Symbol	Parameter	Conditions	Ratings	Unit
VDRM VRRM	Repetitive Peak Off-State Voltage	BTA16/BTB16-600	800	V
		BTA16/BTB16-800	1000	V
IT(RMS)	R.M.S On-State Current	T <sub>c</sub> =110°C	16	A
ITSM	Surge On-State Current	tp=16.7ms/tp=10ms	170/180	A
I <sup>2</sup> t	I <sup>2</sup> t for fusing	Tp=10ms	116	A <sup>2</sup> s
PG(AV)	Average Gate Power Dissipation	T <sub>J</sub> =125°C	1	W
IGM	Peak Gate Current	tp=20us T <sub>J</sub> =125°C	4	A
T <sub>J</sub>	Operating Junction Temperature		~40~125	°C
TSTG	Storage Temperature		~40~150	°C

## Electrical Characteristics (T<sub>J</sub>=25°C unless otherwise specified)

Symbol	Parameter	Test Conditions	Value					Unit
			SW	CW	BW	C	B	
IDRM	Repetitive Peak Off-State Current	T <sub>J</sub> =25°C	≤5					uA
		T <sub>c</sub> =125°C	≤1					mA
IRRM	Repetitive Peak Reverse Current	T <sub>c</sub> =25°C	≤5					uA
		T <sub>c</sub> =125°C	≤1					mA
V <sub>TM</sub>	Forward "on" voltage	I <sub>T</sub> =23A, tp=380us	1.5					V
V <sub>GT</sub>	Gate trigger voltage	V <sub>D</sub> =12V, R <sub>L</sub> =30Ω	≤1.5					V
di/dt	Critical rate of rise of on-state current	I,II,III F=100Hz, I <sub>G</sub> =2xI <sub>GT</sub> , tr≤100ns	≥50					A/us
		IV	≥10					A/us
I <sub>GT</sub>	Gate trigger current	I,II,III V <sub>D</sub> =12V, R <sub>L</sub> =30Ω	≤10	≤25	≤50	≤25	≤50	mA
		IV	/	/	/	≤50	≤100	mA
I <sub>H</sub>	Holding current	I <sub>T</sub> =0.2A	≤25	≤35	≤50	≤25	≤50	mA
V <sub>GD</sub>	Gate non-trigger voltage	V <sub>D</sub> =V <sub>DRM</sub> , T <sub>J</sub> =125°C,R <sub>L</sub> =3.3K	≥0.2					V
dv/dt	Critical-rate of rise of commutation voltage	T <sub>J</sub> =125°C, V <sub>D</sub> =2/3V <sub>DRM</sub> , Gate	≥100	≥400	≥1000	≥200	≥400	V/us

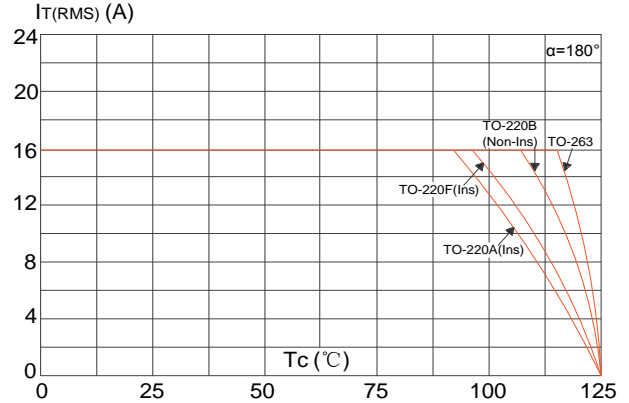
**FIG1**

Maximum power dissipation versus RMS on-state current



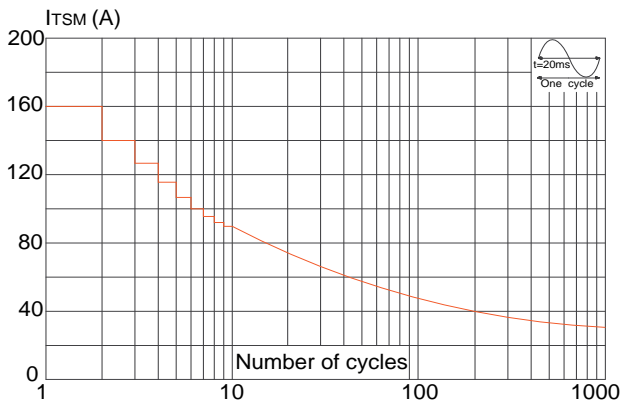
**FIG2**

RMS on-state current versus case temperature



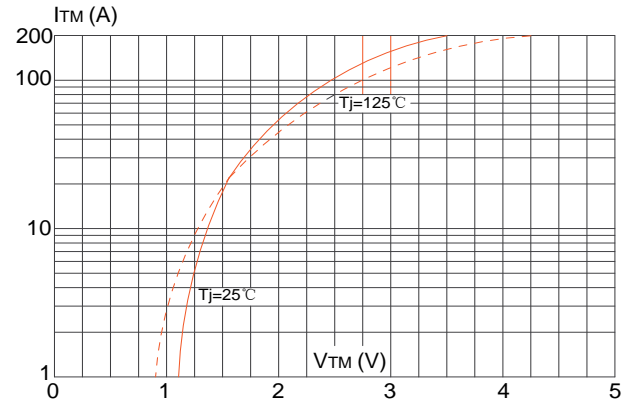
**FIG3**

Surge peak on-state current versus number of cycles



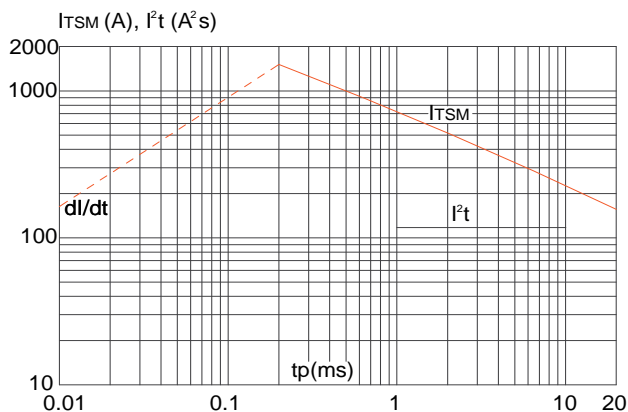
**FIG4**

On-state characteristics (maximum values)



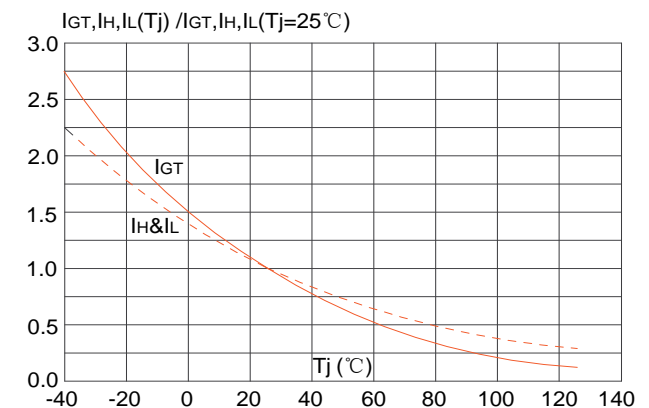
**FIG5**

Non-repetitive surge peak on-state current for a sinusoidal pulse with width  $t_p < 20\text{ms}$ , and corresponding value of  $I^2t$  ( $di/dt < 100\text{A}/\mu\text{s}$ )

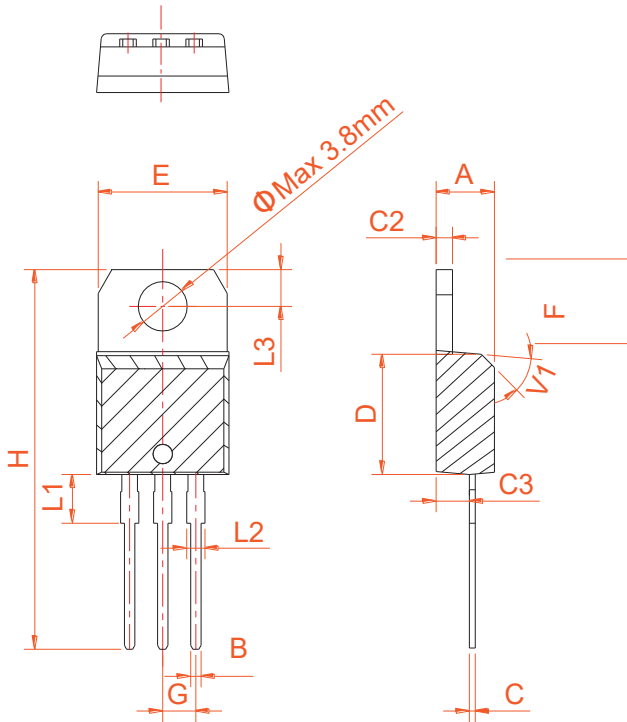


**FIG6**

Relative variations of gate trigger current, holding current and latching current versus junction temperature



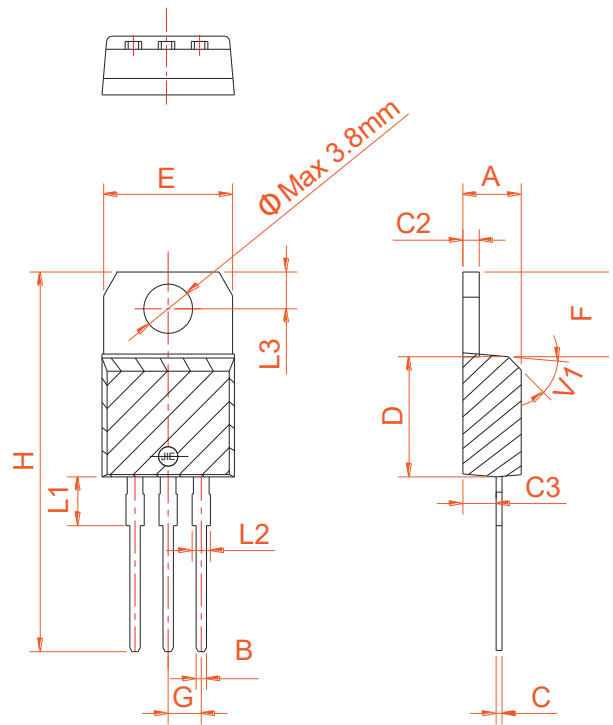
**PACKAGE MECHANICAL DATA**



TO-220A Ins

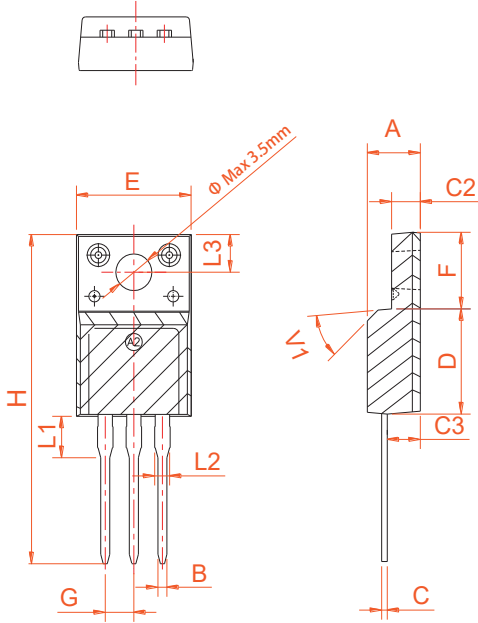
Ref.	Dimensions					
	Millimeters			Inches		
	Min.	Typ.	Max.	Min.	Typ.	Max.
A	4.40		4.60	0.173		0.181
B	0.61		0.88	0.024		0.035
C	0.46		0.70	0.018		0.028
C2	1.21		1.32	0.048		0.052
C3	2.40		2.72	0.094		0.107
D	8.60		9.70	0.339		0.382
E	9.80		10.4	0.386		0.409
F	6.55		6.95	0.258		0.274
G		2.54			0.1	
H	28.0		29.8	1.102		1.173
L1		3.75			0.148	
L2	1.14		1.70	0.045		0.067
L3	2.65		2.95	0.104		0.116
V1		45°			45°	

Ref.	Dimensions					
	Millimeters			Inches		
	Min.	Typ.	Max.	Min.	Typ.	Max.
A	4.40		4.60	0.173		0.181
B	0.61		0.88	0.024		0.035
C	0.46		0.70	0.018		0.028
C2	1.21		1.32	0.048		0.052
C3	2.40		2.72	0.094		0.107
D	8.60		9.70	0.339		0.382
E	9.60		10.4	0.378		0.409
F	6.20		6.60	0.244		0.260
G		2.54			0.1	
H	28.0		29.8	1.102		1.173
L1		3.75			0.148	
L2	1.14		1.70	0.045		0.067
L3	2.65		2.95	0.104		0.116
V1		45°			45°	



TO-220B Non-Ins

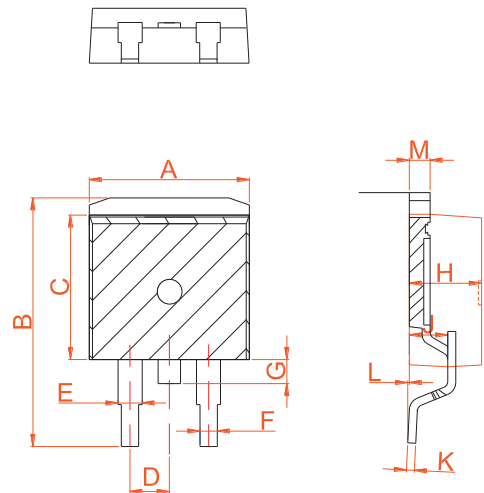
**PACKAGE MECHANICAL DATA**



TO-220F Ins

Ref.	Dimensions					
	Millimeters			Inches		
	Min.	Typ.	Max.	Min.	Typ.	Max.
A	4.50		4.90	0.177		0.193
B	0.74	0.80	0.83	0.029	0.031	0.033
C	0.47		0.65	0.019		0.026
C2	2.45		2.75	0.096		0.108
C3	2.60		3.00	0.102		0.118
D	8.80		9.30	0.346		0.366
E	9.80		10.4	0.386		0.410
F	6.40		6.80	0.252		0.268
G		2.54			0.1	
H	28.0		29.8	1.102		1.173
L1		3.63			0.143	
L2	1.14		1.70	0.045		0.067
L3		3.30			0.130	
V1		45°			45°	

Ref.	Dimensions					
	Millimeters			Inches		
	Min.	Typ.	Max.	Min.	Typ.	Max.
A	9.90		10.20	0.390		0.402
B	14.70		15.80	0.579		0.622
C	9.4		9.6	0.37		0.378
D		2.54			0.100	
E	1.20		1.40	0.047		0.055
F	0.75		0.85	0.029		0.033
G			1.75			0.069
H	4.40		4.70	0.173		0.185
J	2.30		2.70	0.091		0.106
K	0.38		0.55	0.015		0.022
L	0	0.10	0.25	0	0.004	0.010
M	1.25		1.35	0.049		0.053



TO-263



Information furnished is believed to be accurate and reliable. However, Shenzhen HanKingyuan Electronic assumes no responsibility for the consequences of use of such information nor for any infringement of patents or other rights of third parties which may result from its use. Specifications mentioned in this publication are subject to change without notice. This publication supersedes and replaces all information previously supplied.

The KY logo is a registered trademark of Shenzhen HanKingyuan Electronic.

©2013 Shenzhen HanKingyuan Electronic - Printed in Shenzhen - All Rights Reserved