

REVISION RECORD				
REV	ECN	DESCRIPTION	DRFT	DATE

仅供参考图
 签字: *董贵凡*
 日期: 2018.01.11

NOTES1:
 UL Standard
 1.Torque value : M2.5 , 3.5Lb.in
 2.Wire range : 26~12AWG

IEC Standard

- | | |
|--------------------------|-----|
| Pollution degree | 3 |
| Overvoltage category | III |
| Rate impulse voltage(KV) | / |
| Rate voltage(V) | / V |
| Rate current(A) | / A |

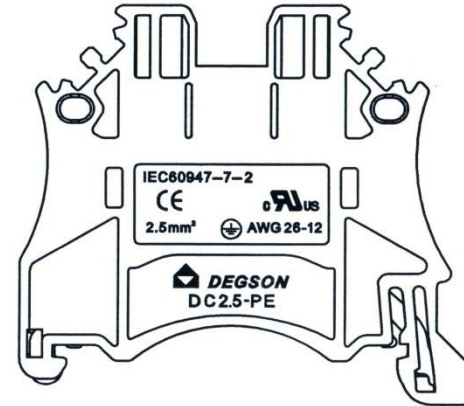
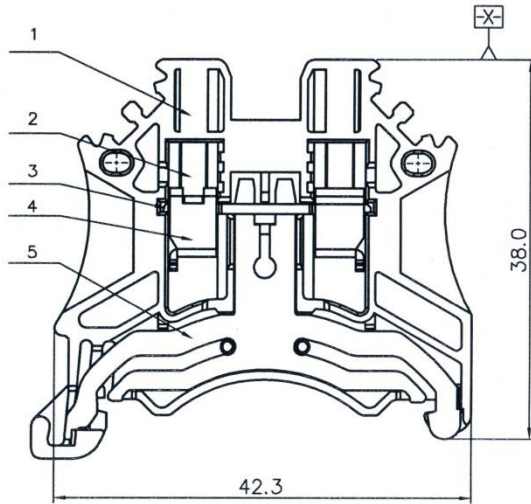
2.Torque value : M2.5 , 0.4N·m
 3.Wire range : 0.2~2.5mm²

NOTES2:
 1.Dimension shall be interpreted per ASME Y14.5-2009
 2.Stripping length : 8~9mm
 3.Operating temperature: -40°C~+105°C
 4.Undimensioned tolerances:

Pitch Range In mm		Nominal Dimension Range In mm						-	∩	□
TO	TO	TO	TO	TO	TO	TO	TO	TO	TO	
6	10	10	24	30	60	100	150	150	0.1/10	
±0.15	±0.20	±0.30	±0.30	±0.50	±0.70	±1.00	±1.30	±2'		

5.RoHS Compliance

5	GROUNDING	PHOSPHOR BRONZE	Zn Plated
4	CAGE	STEEL	M2.5/Zn Plated
3	CURRENT CARRIER	COPPER	Zn Plated
2	SCREW	STEEL	M2.5/Zn Plated
1	HOUSING	PA66	UL94V-0
ITEM	NAME OF PART	MATERIAL	NOTES



DETACHED LISTS	PART NO.: /	宁波高松电子有限公司 DEGSON [®] NINGBO DEGSON ELECTRICAL CO., LTD		
	APPD:	NAME: DC2.5-PE-01P-1C-00A(H)		
	CHKD: <i>Alan 2018.01.11</i>	TITLE: CUSTOMER DRAWING		
	DRFT: XMY 2016.01.29	REV TO-1		
 THIRD ANGLE PROJECTION		DRAWING NO.: DC2.5-PE-C01	SHEET 1/1	SCALE 1:1
		MM (INCH)	DO NOT SCALE DRAWING	SCALE