



胜丰电子有限公司

APPROVAL SHEET

Customer:

Customer P/N: **SF 6025SM12**

Description: **DC FAN**

Model NO.: **SF 6025SM12**

Version.: **A** Issue NO.: **SF190517**

Issue date: **2019-05-17** Quantity: **10PCS**

***Please sign back this specification for our record upon your approval.**

Thanks!

Company Stamp	CUSTOMER APPROVAL Stamp
.....
制作：喻小隆	承认：
复核：蔡泽钦	核准：
核准：吴国旗	日期：

地址：深圳市龙岗区坂田街道雅南路南坑第二工业区

电话：0755-82716358 82579709 传真：22636467

免费咨询和订购热线：**400-9920-988** 官方网站 <http://www.fancool.net/>

E-Mail: fancool18@163.com

1.0: 一般规格 (General Specification)

项目 (Item)		规格/条件 (Specification/Condition)	
1	型号(Model No.)	SF 6025SM12	
2	外型尺寸(Outline. Dimension)	60*60*25MM	
3	工作电压 (Operating Voltage)	DC 7.00-13.50V	
4	最高承受电压 (highest bearing voltage)	DC14V	
5	额定电压(Rated .voltage)	DC 12.00 V	
6	起动电压 Starting Voltage	DC 6.00V	
7	额定电流(Rated current)	0.17A±10%	a. 额定电压(Rated .voltage) b.25°C 65% RH c.After testing for 5 minutes
8	锁定电流 (Lock Rotor Current)	0.02(Max)	
9	消耗功率(Power consumption)	2.04W	
10	转速 (Speed)	4000±10%RPM	
11	最大风量 : (Max Airflow)	21.50CFM	a. 额定电压(Rated .voltage) b. AMCA 标准 (Standard) C. 额定电流(Rated current)
	最大静压 : (Air .Static Pressure)	3.64mmH2O	
12	最大噪音 (Max Noise)	34.30Db-A (Max)	a. 额定电压 (Rated Voltage) b. 18dB无响室 (18dB Non-Echo Chamber) c. 标准 (Standard):CNS 8753 / ISO 3744 d. Test Condition :ISO 7779 e. 距离 (Distance): 1.0 M
13	Life expectancy(期望寿命)	30000 hrs at temp25°C Humidity5%-95%	MTTF (Mean Time To Failure) Conf. Level 90%)
14	扇叶数 (No.of.Blade)	7 叶	
15	运转方向 (Rotating Direction)	逆时针/运转方向是从扇叶面看	
15	锁住保护 Lock Protection	无 NO	
16	极性保护 Polarity Protection	无 NO	

18	恒速功能 fixed constant speed Function	无 NO
19	过流保护 Over current protection	无 NO
20	PWM 功能 PWM function	无 NO

2.0:主要材料/零件规格 (Main Materials/parts Specification)

材料/零件 (Materials/parts)		规格(Specification)	
1	塑料材料/扇叶 外框 (Plastic Material/Blade,Housing)	PBT 黑色方框 7 叶	
2	轴承 (Bearing Type)	含油轴承 (Sleeve Bearing)	
3	引线 (Lead Wire)	24#300AVG 200mm 线长	
4	端子 (Connector)	2.54 两线反端	
		红(VCC)	黑(GND)

3.0 電性规格 (Electrical Specifically)

1	绝缘阻抗 Insulation Resistance	10MΩ/裸线与外框间测量, 500VDC/min 10MΩ/between unshackled wire and frame at 500VDC/min
2	绝缘耐压 Dielectric Strength	5Ma Max./导线与外框间测量, 500VAC/min 5Ma Max./Measured between lead wire(+)and frame at 500VAC/min
3	防水等级 Waterproof level	IP X0

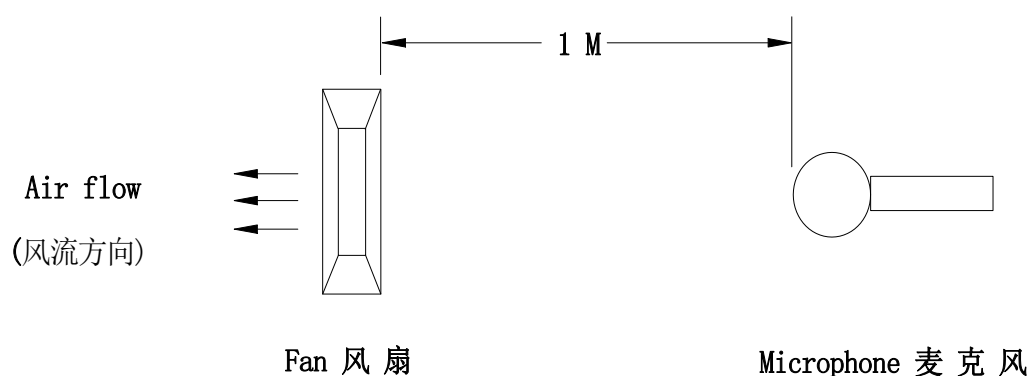
4.0 环境测试 (Environmental Specification)

1	运转温/湿度范围 Operating Temp .Range	温度/Temperature:-10℃ - +75℃ 湿度/Humidity:5% - 95%RH
2	保存温/湿度范围 Storage Temperature	温度/Temperature:-30℃ - +85℃ 湿度/Humidity:5% - 95%RH
3	耐湿性 Humidity	电气规格依据 MIL-STD 202F Method 103B 湿度: 95%RH 温度: 40±2℃
4	热冲击 Thermal Shock	电气规格依据 MIL-STD 202F Method 107D Per MIL-STD 202F Method 107D,Condition D

5	绝缘阶段 Insulation Shock	UL: A 级 UL : Class A
6	包装耐振动试验 Packing Vibration Test	包装后, XYZ 三方向施 1.1G load vibration test for 30min .No serious damage
7	包装耐冲击试验 Packing Shock Proof Test	捆包后, 高 60 公分, 1 棱角 3 边 6 面自然落下, 无严重损坏. 1comer,3edges, 6faces natural drop from 60cm high packing No serious damage

5.0 在无响室额定电压下之噪音测试

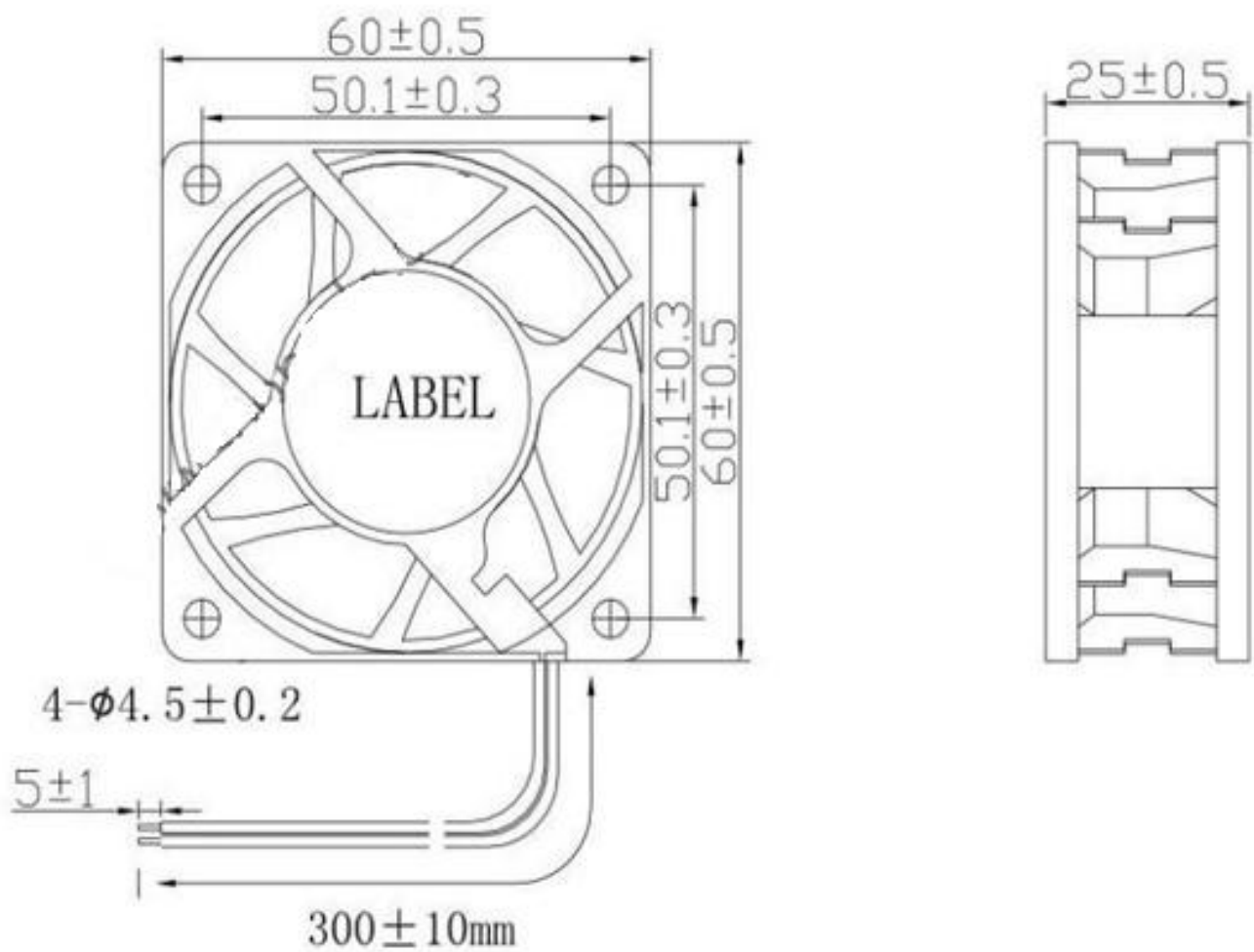
(Noise is measured at rated voltage in anechoic



(在背景噪音不超过 18dB (A) 的无响室内, 将待测风扇通入额定的工作电压, 悬掉入空中, 将麦克风放于风扇同一平面且离待测风扇进风口一米处进行测试其 B&K 值)

Noise is measured rated voltage in free air in anechoic chamber with B&K sound level meter with microphone at a distance of one meter from the fan intake. The background noise is 18Db(A) max.

6.0 框叶图纸



胜丰电子有限公司

SHENGFENG ELECTRONICS CO.,LTD

400-9920-988

制图：陈卿伟

www.fancool.net

审核：陈惠

