



胜丰电子有限公司

APPROVAL SHEET

Customer:

Customer P/N: **SFS 3510SM12**

Description: **DC FAN**

Model NO.: **SFS 3510SM12**

Version.: **A** Issue NO.: **SF190418**

Issue date: **2019-04-18** Quantity: **5PCS**

***Please sign back this specification for our record upon your approval.**

Thanks!

Company Stamp	CUSTOMER APPROVAL Stamp
制作：喻小隆	承认：
复核：蔡泽钦	核准：
核准：吴国旗	日期：

地址：深圳市龙岗区坂田街道雅南路南坑第二工业区

电话：0755-82716358 82579709 传真：22636467

免费咨询和订购热线：**400-9920-988** 官方网站 <http://www.fancool.net/>

E-Mail: fancool18@163.com

1.0: 一般规格 (General Specification)

项目 (Item)		规格/条件 (Specification/Condition)	
1	型号(Model No.)	SFS 3510SM12	
2	外型尺寸(Outline. Dimension)	35*35*10MM	
3	工作电压 (Operating Voltage)	DC 7.0V-13.8V	
4	最高承受电压 (highest bearing voltage)	DC14V	
5	额定电压(Rated .voltage)	DC 12.00 V	
6	起动电压 Starting Voltage	DC 6.00V	
7	额定电流(Rated current)	0.09A±10%	a. 额定电压(Rated .voltage) b.25°C 65% RH c.After testing for 5 minutes
8	锁定电流 (Lock Rotor Current)	0.02(Max)	
9	消耗功率(Power consumption)	1.08W	
10	转速 (Speed)	8000±10%RPM	
11	最大风量 : (Max Airflow)	7.02CFM	a. 额定电压(Rated .voltage) b. AMCA 标准 (Standard) C. 额定电流(Rated current)
	最大静压 : (Air .Static Pressure)	3.50mmH2O	
12	最大噪音 (Max Noise)	31.50Db-A (Max)	a. 额定电压 (Rated Voltage) b. 18dB无响室 (18dB Non-Echo Chamber) c. 标准 (Standard):CNS 8753 / ISO 3744 d. Test Condition :ISO 7779 e. 距离 (Distance): 1.0 M
13	Life expectancy(期望寿命)	30000 hrs at temp25°C Humidity5%-95%	MTTF (Mean Time To Failure) Conf. Level 90%)
14	扇叶数 (No.of.Blade)	5 叶	
15	运转方向 (Rotating Direction)	逆时针/运转方向是从扇叶面看	
16	锁住保护 Lock Protection	无 NO	
17	极性保护 Polarity Protection	无 NO	

18	恒速功能 fixed constant speed Function	无 NO
19	过流保护 Over current protection	无 NO
20	软启动 Soft Starting	无 NO

2.0:主要材料/零件规格 (Main Materials/parts Specification)

材料/零件 (Materials/parts)		规格(Specification)	
1	塑料材料/扇叶 外框 (Plastic Material/Blade,Housing)	PBT 黑色方框 5 叶	
2	轴承 (Bearing Type)	含油轴承 (Sleeve Bearing)	
3	引线 (Lead Wire)	30#1571AVG 140mm	
4	端子 (Connector)	2.0 正端 两 PIN 黑红	
		黑 (GND)	红 (VCC)
5	环保要求 (Environmental Requirement)	<input checked="" type="checkbox"/> ROHS	<input type="checkbox"/> 无卤
			<input type="checkbox"/> fireproof

3.0 電性规格 (Electrical Specifically)

1	绝缘阻抗 Insulation Resistance	10MΩ/裸线与外框间测量, 500VDC/min 10MΩ/between unshackled wire and frame at 500VDC/min
2	绝缘耐压 Dielectric Strength	5Ma Max./导线与外框间测量, 500VAC/min 5Ma Max./Measured between lead wire(+)and frame at 500VAC/min
3	防水等级 Waterproof level	IP X0

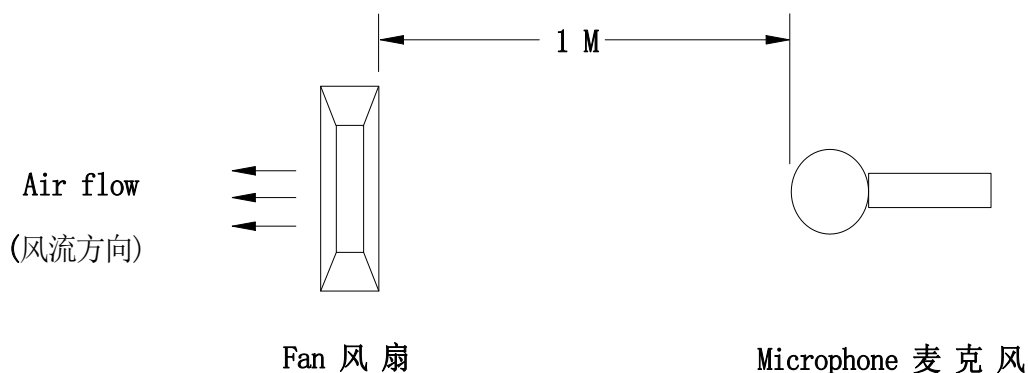
4.0 环境测试 (Environmental Specification)

1	运转温/湿度范围 Operating Temp .Range	温度/Temperature:-10℃ - +75℃ 湿度/Humidity:5% - 95%RH
2	保存温/湿度范围 Storage Temperature	温度/Temperature:-30℃ - +85℃ 湿度/Humidity:5% - 95%RH
3	耐湿性 Humidity	电气规格依据 MIL-STD 202F Method 103B 湿度: 95%RH 温度: 40±2℃
4	热冲击 Thermal Shock	电气规格依据 MIL-STD 202F Method 107D Per MIL-STD 202F Method 107D,Condition D

5	绝缘阶段 Insulation Shock	UL: A 级 UL : Class A
6	包装耐振动试验 Packing Vibration Test	包装后, XYZ 三方向施 1.1G load vibration test for 30min .No serious damage
7	包装耐冲击试验 Packing Shock Proof Test	捆包后, 高 60 公分, 1 棱角 3 边 6 面自然落下, 无严重损坏. 1comer,3edges, 6faces natural drop from 60cm high packing No serious damage

5.0 在无响室额定电压下之噪音测试

(Noise is measured at rated voltage in anechoic



(在背景噪音不超过 18dB (A) 的无响室内, 将待测风扇通入额定的工作电压, 悬掉入空中, 将麦克风放于风扇同一平面且离待测风扇进风口一米处进行测试其 B&K 值)

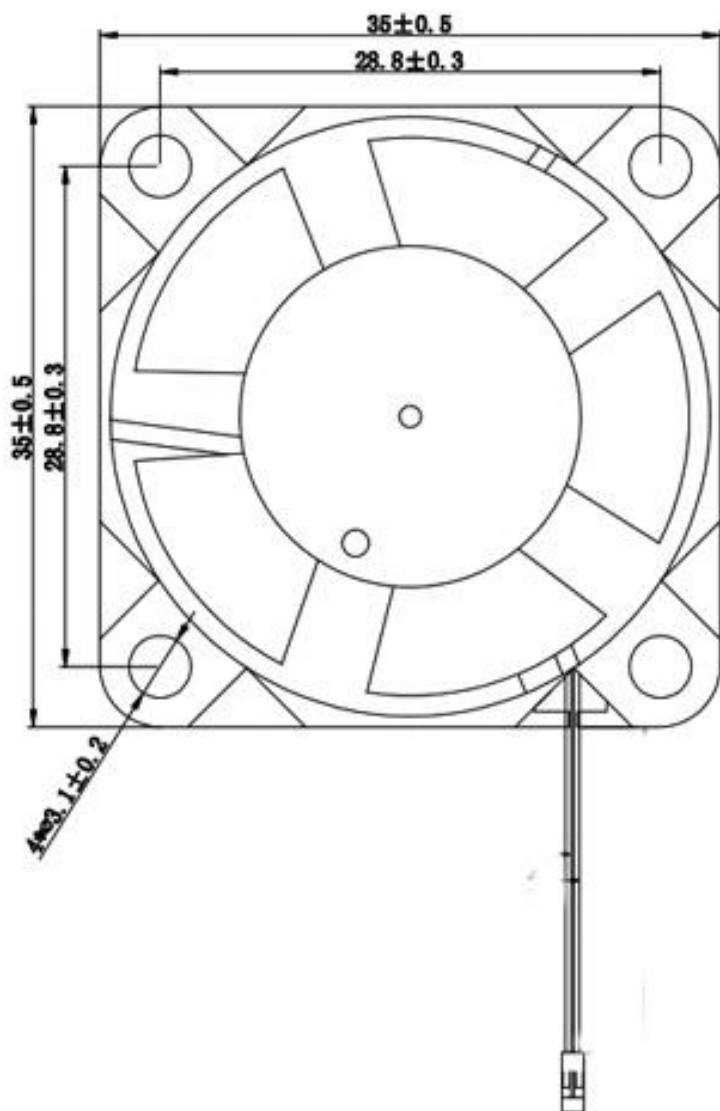
Noise is measured rated voltage in free air in anechoic chamber with B&K sound level meter with microphone at a distance of one meter from the fan intake. The background noise is 18Db(A) max.

6.0 平均寿命说明 (Life Expectancy Explanation)

在指定恒温下持续工作后, 经检验, 90%能正常运转即可估算其平均使用寿命 (The continuous duty life at given temperature after which, 90% of testing units shall still be running)。

Bearing System	Test Temperature	Test time (H)
Sleeve Bearing	25°C	30000

7.0 外观图:



UNIT: $\frac{\text{mm}}{(\text{INCH})}$

LEAD WIRE UL 1571#30AWG
OR EQUIVALENT



胜丰电子有限公司

SHENGFENG ELECTRONICS CO.,LTD

400-9920-988

www.fancool.net

注意事项 (NOTES)

1 Before use, make sure the supply voltage to meet the use of the product range, line-powered load exceeds the maximum power consumption of this product 120%. And the voltage is stable without clutter

(使用前, 确认供电电压能满足本产品的使用范围, 供电电路负载超过本产品的最大功耗的 120%。且电压是稳定不含杂波干扰)

2 Please when ventilator circular telegram normal work do not use the hand to bump touches fan blade border

(请在风扇通电正常运转时不要用手碰触扇叶边沿)

3 Please do not touch the impeller and never carry the fan the lead wires. The bearings and the lead wires may be damaged. Additionally, static electricity may damage the internal circuits of the fan

(请不要碰触扇叶和拉扯线材, 以免损坏轴承及导线。此外, 静电可能损坏内部的风扇元件)

4 Please do not use the fan in the environment of corrosive gas or liquid.

(请不要将风扇置于腐蚀的气体和液体内)

5 Please do not store the an in the environmet of high humidity. Please avoid storage of the fan over 6months. For long term storage, please connect power to the fan shortly every 6 months even through the fan is stored in room temperature.

(请不要将风扇储存在高湿度的环境中, 请尽量避免将风扇储存期超过 6 个月。如果要长期储存, 请将其在室温的环境下。且每隔 6 个月须上电源让风扇短时间运转。)

Shenzhen BCTC Testing Co., Ltd.

BCTC Building & 1-2F, East of B Building, Pengzhou Industrial, Fuyuan 1st Road,
Qiaotou Community, Fuyong Street, Bao'an District, Shenzhen, China



Certificate of Compliance

Applicant : SHENGFENGHONG ELECTRONICS CO.,LTD.
No.1-2205 Yabao Rd., Bantian, Longgang Distict, Shenzhen, China

Manufacturer : SHENGFENGHONG ELECTRONICS CO.,LTD.
No.1-2205 Yabao Rd., Bantian, Longgang Distict, Shenzhen, China

Product : Draught fan*cooling fan
M/N : 12032 DC48V B2 BLOWER
SFH12032, SFH1504, SFH1805, SFH2006, SFH2010, SFH2507, SFH2510,
SFH3007, SFH3010, SFH3020, SFH3507, SFH3510, SFH4007, SFH4010,
SFH4015, SFH4020, SFH4028, SFH4056, SFH5010, SFH5012, SFH5015,
SFH5020, SFH5025, SFH6010, SFH6015, SFH6020, SFH6025, SFH6038,
SFH7010, SFH7015, SFH7020, SFH7025, SHF7030, SFH7038, SFH7530,
SFH8010, SFH8015, SFH8020, SFH8025, SFH8038, SFH9010, SFH9015,
SFH9020, SFH9025, SFH9038, SFH9210, SFH9215, SFH9220, SFH9225,
SFH9238, SFH10025, SFH11025, SFH12025, SFH12038, SFH14025,
SFH14038, SFH15050, SFH16050, SFH17238, SFH17251, SFH18060,
SFH20060, SFH22060, SFH25489

Test Standard : EN 55032: 2015, EN 55035:2017
EN 61000-3-2:2014, EN 61000-3-3:2013

Order No. / Report No. : BCTC-LH180601620C/BCTC-LH180601620E

The EUT described above has been tested according to the listed standards and found in compliance with the council EMC directive 2014/30/EU. The observations and test results referenced from this Certificate are relevant only to the sample tested. This Certificate is for the exclusive use of BCTC's Client and is provided pursuant to the agreement between BCTC and its Client. This Certificate is part of the full test report(s) and should be read in conjunction with it.



This certificate of conformity is based on a single evaluation of the submitted sample(s) of the above mentioned product. It does not imply an assessment of the whole product and relevant. Directives have to be observed.

Tel: 400-788-9558 0755-33019988
Http://www.bctc-lab.com Http://www.bctc-lab.com.cn



Shenzhen BCTC Testing Co., Ltd.

BCTC Building & 1-2F, East of B Building, Pengzhou Industrial, Fuyuan 1st Road,
Qiaotou Community, Fuyong Street, Bao'an District, Shenzhen, China



Verification of Conformity

Certificate Number: BCTC-LH180601621C

We herewith confirm the following designated product:

Applicant : SHENGFENGHONG ELECTRONICS CO.,LTD.
No.1-2205 Yabao Rd., Bantian, Longgang Distict, Shenzhen, China

Manufacturer : SHENGFENGHONG ELECTRONICS CO.,LTD.
No.1-2205 Yabao Rd., Bantian, Longgang Distict, Shenzhen, China

Product : Draught fan*cooling fan
M/N : 12032 DC48V B2 BLOWER
SFH12032, SFH1504, SFH1805, SFH2006, SFH2010, SFH2507, SFH2510,
SFH3007, SFH3010, SFH3020, SFH3507, SFH3510, SFH4007, SFH4010, SFH4015,
SFH4020, SFH4028, SFH4056, SFH5010, SFH5012, SFH5015, SFH5020, SFH5025,
SFH6010, SFH6015, SFH6020, SFH6025, SFH6038, SFH7010, SFH7015, SFH7020,
SFH7025, SHF7030, SFH7038, SFH7530, SFH8010, SFH8015, SFH8020, SFH8025,
SFH8038, SFH9010, SFH9015, SFH9020, SFH9025, SFH9038, SFH9210, SFH9215,
SFH9220, SFH9225, SFH9238, SFH10025, SFH11025, SFH12025, SFH12038,
SFH14025, SFH14038, SFH15050, SFH16050, SFH17238, SFH17251, SFH18060,
SFH20060, SFH22060, SFH25489

The submitted sample of the above equipment has been tested and found to comply with the following standards:

- FCC Part 15, Subpart B
- ANSI C63.4: 2014

This verification is part of the full test report(s) and should be read in conjunction with it. The referred Test report(s) show that the product complies with standard(s) recognized as giving presumption of compliance with the essential requirements in the specified FCC standard.

This Verification does not imply assessment of the production of the product.



This certificate of conformity is based on a single evaluation of the submitted sample(s) of the above mentioned product. It does not imply an assessment of the whole product and relevant. Directives have to be observed.

Tel: 400-788-9558 0755-33019988
Http://www.bctc-lab.com Http://www.bctc-lab.com.cn



Test Report

No. BCTC-FYC180062632R

Date: Jun. 29, 2018

Page 1 of 11

Applicant : SHENZHEN SHENGFENGHONG ELECTRONICS CO., LTD.
Address : No.1-2205 Yabao Rd., Bantian, Longgang Distict, Shenzhen China
The submitted sample and sample information was/were submitted and identified by/on the behalf of the client
Sample name : Draught fan*cooling fan
Testing type /model : 12032 DC48V B2 blower
Additional type /model : See the next page
Manufacturer : SHENZHEN SHENGFENGHONG ELECTRONICS CO., LTD.
Address : No.1-2205 Yabao Rd., Bantian, Longgang Distict, Shenzhen China
Sample received date : Jun. 22, 2018
Testing period : Jun. 22, 2018 - Jun. 29, 2018

Test requested : 1. As specified by client, to screen Lead(Pb), Cadmium(Cd), Mercury(Hg), Chromium(Cr) and Bromine(Br) in the submitted sample(s) by XRF.
2. As specified by client, when screening results exceed the XRF screening limit in IEC 62321-3-1:2013, further use of chemical methods are required to test the Lead(Pb), Cadmium(Cd), Mercury(Hg), Hexavalent Chromium(Cr(VI)), Polybrominated Biphenyls(PBBs), Polybrominated Diphenyl Ethers(PBDEs) in the submitted samples.

According to the RoHS Directive 2011/65/EU

*****For more detailed information, please refer to the next page*****

Tested by

Ac



Approved by

Limhang

Lab:Shenzhen BCTC Testing Co.,Ltd.

Add:BCTC Building & 1-2F,East of B Building,pengzhou Industrial,Fuyuan 1st Road,
Qiaotou Community,Fuyong Street, Bao 'an District,Shenzhen,china
Tel : (86)0755-33229357 Fax : 0755-33229357

 Hotline
400 -788 -9558
www.bctc-lab.com.cn

Test Report

No. BCTC-FYC180062632R

Date: Jun. 29, 2018

Page 2 of 11

Additional type /model:

SFH12032, SFH1504, SFH1805, SFH2006, SFH2010, SFH2507, SFH2510, SFH3007, SFH3010,
 SFH3020, SFH3507, SFH3510, SFH4007, SFH4010, SFH4015, SFH4020, SFH4028, SFH4056,
 SFH5010, SFH5012, SFH5015, SFH5020, SFH5025, SFH6010, SFH6015, SFH6020, SFH6025,
 SFH6038, SFH7010, SFH7015, SFH7020, SFH7025, SHF7030, SFH7038, SFH7530, SFH8010,
 SFH8015, SFH8020, SFH8025, SFH8038, SFH9010, SFH9015, SFH9020, SFH9025, SFH9038,
 SFH9210, SFH9215, SFH9220, SFH9225, SFH9238, SFH10025, SFH11025, SFH12025, SFH12038,
 SFH14025, SFH14038, SFH15050, SFH16050, SFH17238, SFH17251, SFH18060, SFH20060,
 SFH22060, SFH25489

Test Method:
A. Screening test by XRF spectroscopy

XRF screening limits in mg/kg for regulated elements according to IEC 62321-3-1:2013.

Element	Limit of IEC 62321-3-1:2013. Unit (mg/kg)		MDL	
	Polymers and metals	Composite material	Polymers	Other material
Pb	$BL \leq (700-3\sigma) < X < (1300+3\sigma)$ $\leq OL$	$BL \leq (500-3\sigma) < X < (1500+3\sigma)$ $\leq OL$	10 mg/kg	50 mg/kg
Cd	$BL \leq (70-3\sigma) < X < (130+3\sigma)$ $\leq OL$	$LOD \leq (50-3\sigma) < X < (150+3\sigma)$ $\leq OL$	10 mg/kg	50 mg/kg
Hg	$BL \leq (700-3\sigma) < X < (1300+3\sigma)$ $\leq OL$	$BL \leq (500-3\sigma) < X < (1500+3\sigma)$ $\leq OL$	10 mg/kg	50 mg/kg
Cr	$BL \leq (700-3\sigma) < X$	$BL \leq (500-3\sigma) < X$	10 mg/kg	50 mg/kg
Br	$BL \leq (300-3\sigma) < X$	$BL \leq (250-3\sigma) < X$	10 mg/kg	50 mg/kg

Note:

- BL = Under the XRF screening limit
- OL = Further chemical test will be conducted while result is above the screening limit
- X= The symbol "X" marks the region where further investigation is necessary
- 3σ= The reproducibility of analytical instruments
- LOD= Detection limit

Lab:Shenzhen BCTC Testing Co.,Ltd.

 Add:BCTC Building & 1-2F,East of B Building,pengzhou Industrial,Fuyuan 1st Road,
 Qiaotou Community,Fuyong Street, Bao 'an District,Shenzhen,china
 Tel : (86)0755-33229357 Fax : 0755-33229357


 Hotline
 400 -788 -9558
www.bctc-lab.com.cn