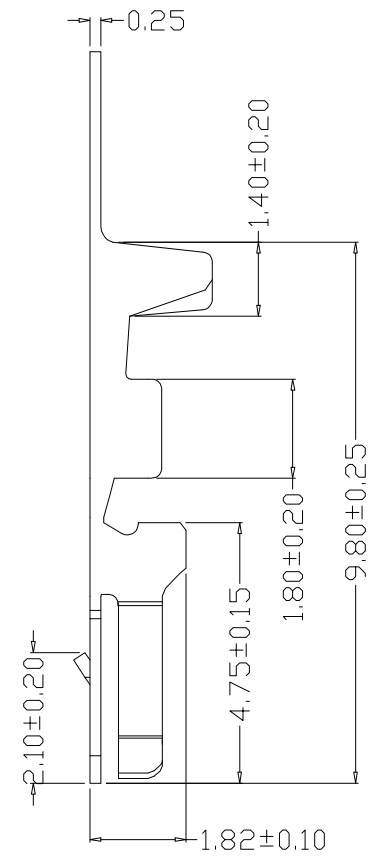
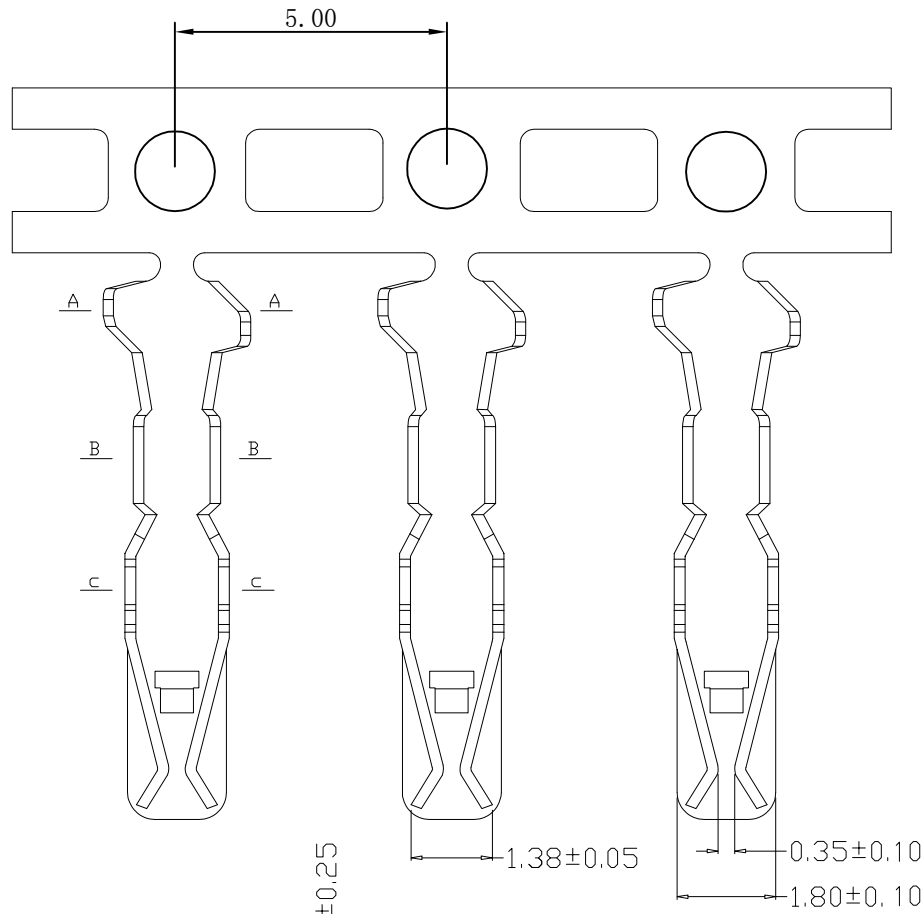


环保物料

TEL:0769-82001899



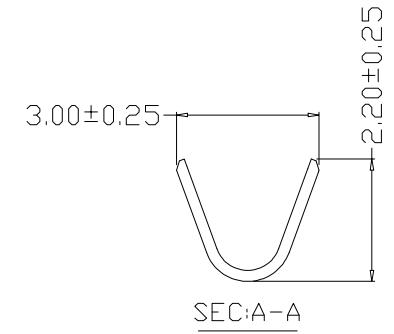
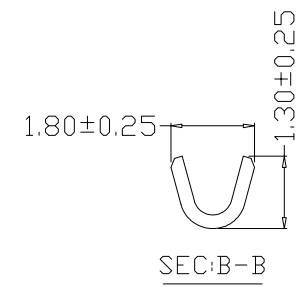
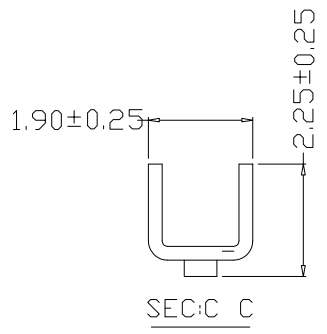
SPECIFICATIONS

1. Voltage rating: 250V AC, DC
2. Current rating: 3A, AC, DC
3. Withstanding Voltage: 800V AC/minute
4. Insulation resistance: 1000M min
5. Temperature range: -25° C--+85° C
6. Contact resistance: 30mΩ max

TERMINAL

Material: Phosphor Bronze
 Finish: Plated Tin or Plated Gold
 Applicable wire: AWG#22-#30
 Insulation O. D. : 0.90mm (Max)
 Used in : P2557 SERIES HOUSING
 Qty/Reel: 13000PCS
 Part No. : T2557PS-2

00=镀金 2=镀锡



				TOLERANCE UNLESS OTHERWISE		DRAWN	CK tan	XFCN 兴飞连接器有限公司 XFCN CONNECTORS CO.,LTD.	SHEET	1/1	
				X.	±0.30	X°	±5°		CHKD	DATE	2021-04-26
				.X	±0.20	.X°	±2°		APPD	UNITS	mm
				.XX	±0.08	.XX°	±1°		VIEW	SCALE	1:1
AO	MODIFICATION	DRAW	DATE	.XXX	±0.03	.XXX°	±0.5°	PRODUCT NAME	2.50mm Crimp Style Connectors		
VER								PART. NO.	T2557PS-2		
1	2	3	4	5	6	7	8	9	10	DWG. NO.	009