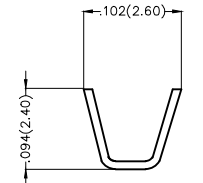
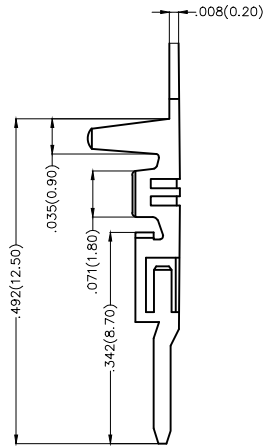
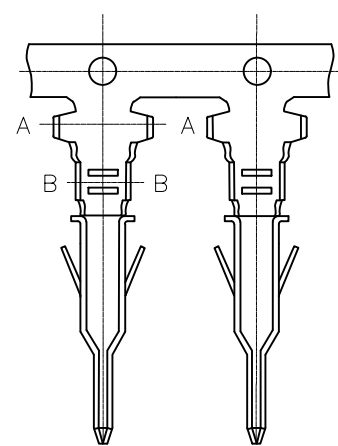


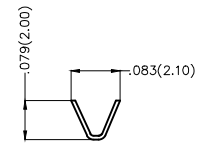
REV	LOCATIONS	DESCRIPTION	DATE	REVISER	APPD
1	△	MOQ: Change 10,000 into 13,500 pcs/reel	14/MAY/18	KATE	FRANK

Notes:

- 1.Material:Phosphor Bronze C5191
- 2.Plating: Tin-Plated
- 3.Wire Range: 24AWG~20AWG
- 4.Insulation Nom.Dia:  $\phi.073'$  ( $\phi 1.85\text{mm Max}$ )
- 5.Applicable Housing: FHG30003,FHG30004Series
- 6.Minimum Order Quantity :13,500 PCS



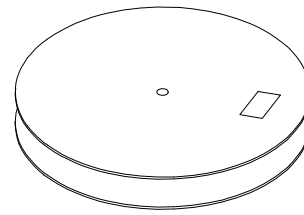
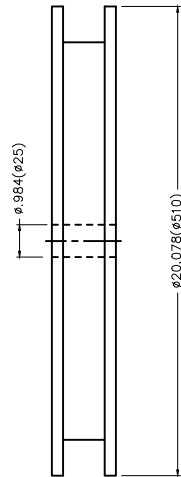
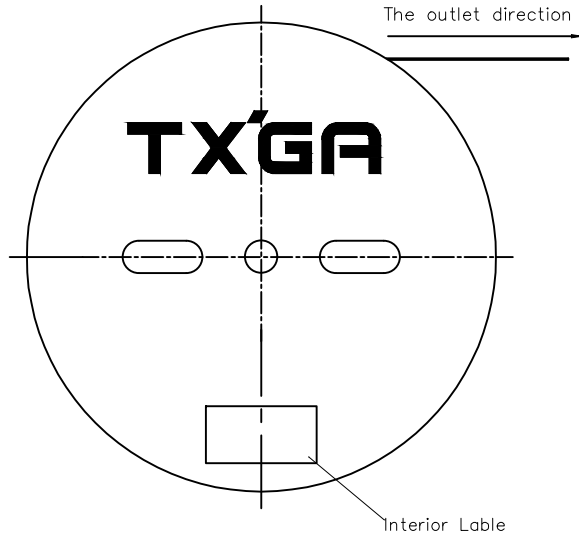
Section A-A



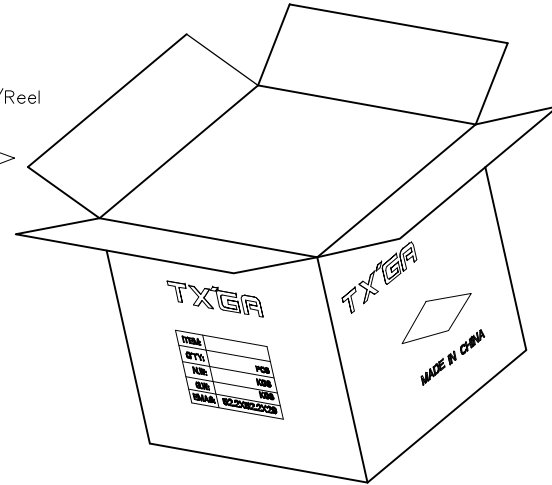
Section B-B

 THIRD ANGLE PROJECTION	GENERAL TOLERANCES (UNLESS SPECIFIED)		APPROVE BY FRANK	DATE 25/JUN/13	PART NO. FT30002-M2H	ITEM NO. FT30002	 Leader Of Industry	
	DESIGN UNITS Inch (metric)	X.±.012(0.30)	X.'±5'	CHECKED BY JACOB	DATE 25/JUN/13	TITLE Wire to Board Pitch 3.0mm(Terminal)		
SCALE 5:1	SIZE A4	X.XX±.008(0.20)	X.'±2'	DRAWN BY CHERRY	DATE 25/JUN/13	THIS DRAWING CONTAINS INFORMATION THAT IS PROPRIETARY TO TXGA INDUSTRIAL ELECTRONICS(S.Z)CO.,LTD AND SHOULD NOT BE USED WITHOUT WRITTEN PERMISSION	REV 1	SHEET NO. 1/2

REV	LOCATIONS	DESCRIPTION	DATE	REVISER	APPD



13,500 Pcs/Reel



 THIRD ANGLE PROJECTION	GENERAL TOLERANCES (UNLESS SPECIFIED)		APPROVE BY FRANK	DATE 25/JUN/13	PART NO. FT30002-M2H	ITEM NO. FT30002	 Leader Of Industry		
	DESIGN UNITS Inch (metric)	X.±.012(0.30)	X.'±5'	CHECKED BY JACOB	DATE 25/JUN/13	TITLE Wire to Board Pitch 3.0mm(Terminal)		REV 1	SHEET NO. 2/2
	SCALE 5:1	SIZE A4	X.XX±.006(0.15)	.XX'±1"	DRAWN BY CHERRY	DATE 25/JUN/13	THIS DRAWING CONTAINS INFORMATION THAT IS PROPRIETARY TO TXGA INDUSTRIAL ELECTRONICS(S.Z)CO.,LTD AND SHOULD NOT BE USED WITHOUT WRITTEN PERMISSION		