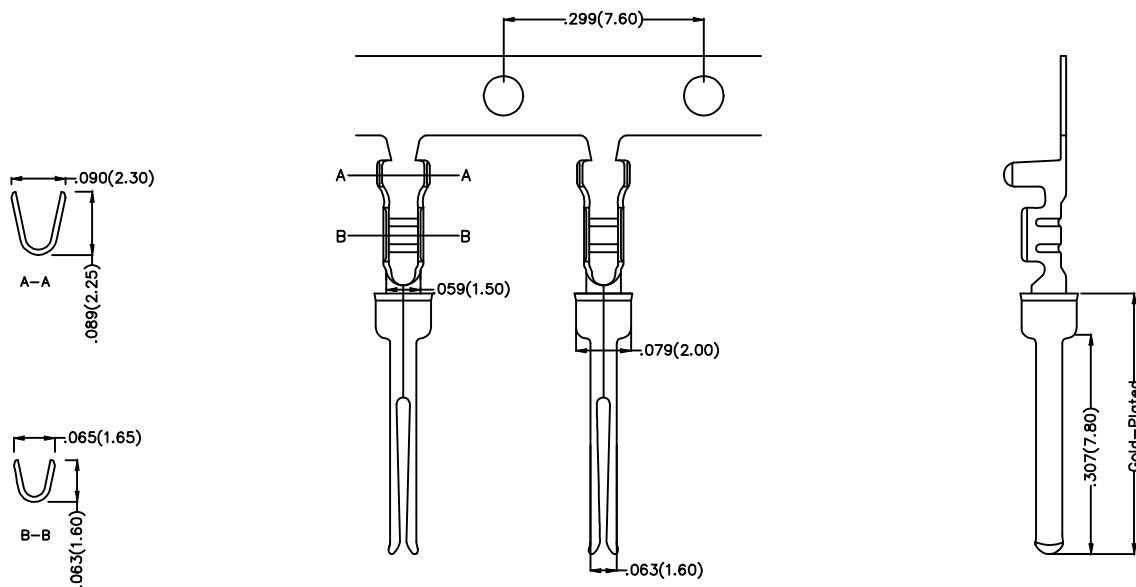


REV	LOCATIONS	DESCRIPTION	DATE	REVISER	APPD

MATERIAL:

1. Phosphor Bronze: C5191
2. All Corners and RadII Have a Maximum Radius of 0.1mm unless Otherwise Specified
3. Plating: Gold/Tin-Plated



 THIRD ANGLE PROJECTION	GENERAL TOLERANCES (UNLESS SPECIFIED)		APPROVE BY FRANK	DATE 16/AUG/19	PART NO. FDB001-FXH	ITEM NO. FDB001	 Leader Of Industry	
	DESIGN UNITS Inch (metric)	X.±.012(0.30)	X.'±5'	CHECKED BY JACOB	DATE 16/AUG/19	TITLE D-SUB Female Terminal Series		REV 0
SCALE 5:1	SIZE A4	X.XX±.008(0.20)	X.'±2'	DRAWN BY Aubrey	DATE 16/AUG/19	THIS DRAWING CONTAINS INFORMATION THAT IS PROPRIETARY TO TXGA INDUSTRIAL ELECTRONICS(S.Z)CO.,LTD AND SHOULD NOT BE USED WITHOUT WRITTEN PERMISSION		
		X.XX±.006(0.15)	.XX'±1'					
		X.XXX±.004(0.10)	.XXX'±0.5'					