

REV	LOCATIONS	DESCRIPTION	DATE	REVISER	APPD

**SPECIFICATIONS**

**Electrical**

Current Rating: 1.5A AC(rms)/DC  
 Voltage Rating: 125V AC(rms)/DC  
 Contact Resistance: 30 mΩ Max  
 Insulation Resistance: 500 MΩ Min / DC 500V  
 Withstanding Voltage: 1000V AC r.m.s  
 Operating Temperature: -40°C~+85°C

**Mechanical**

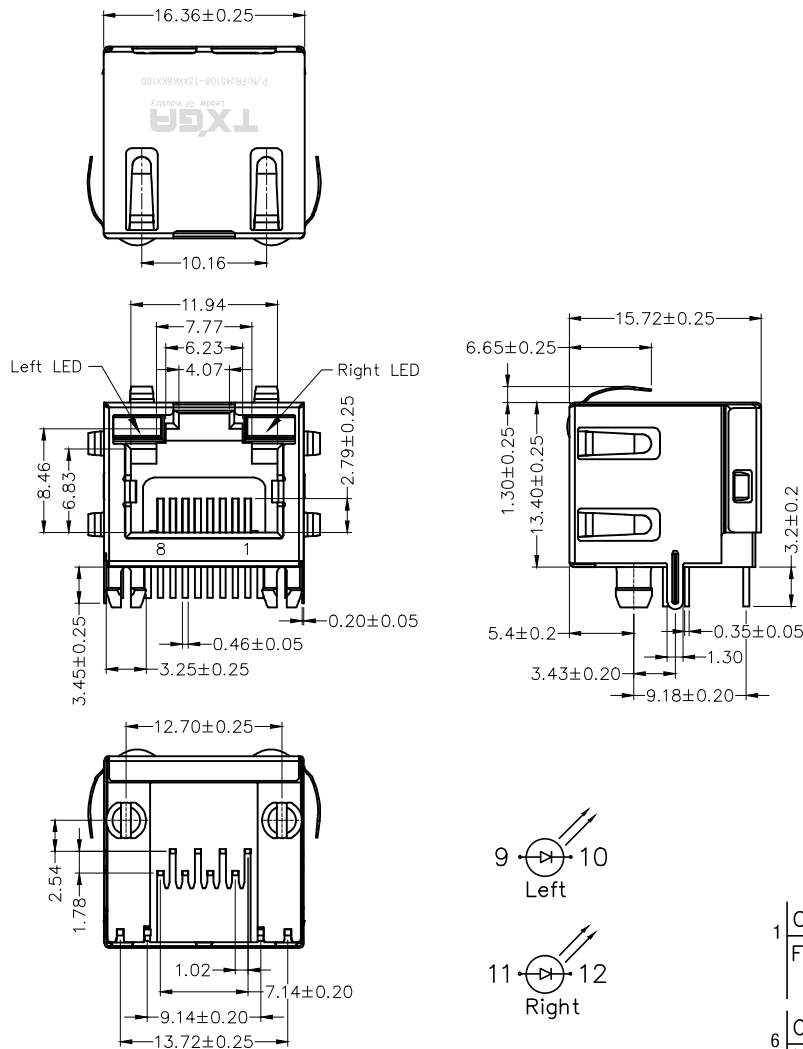
Durability: 750 cycles Min.

**Material and plating**

Housing: PA46 (UL 94V-0), Black  
 Contact: Phosphor Bronze/ Selective gold plated on contact area and bright tin plated on tails area  
 Shell: Brass/ Nickel plated

**LED Specification**

Standard LED Color	LED Wavelength	Foward(A)	Foward(V)
Green	568nm	20mA	1.8-2.8V
Yellow	585nm	20mA	1.8-2.8V



Recommended P.C.Board Layout

Tolerances: ±0.05

**Ordering Information**

FRJ45 108 — 1 3 XX K6 K X 1 0 0  
 1 2 3 4 5 6 7 8 9

1 <u>Category</u> FRJ45-RJ45 Connector	2 <u>Distinction No.</u> 108	3 <u>Ports options</u> 1-1 Port	4 <u>Plating</u> 3-Selective gold plated on contact area and bright tin plated on tails area	5 <u>Thickness of plating</u> 06-6μ" 30-30μ" Custom plate available
6 <u>Color-Resin</u> K6-Black	7 <u>Packaging</u> K-Tray	8 <u>LED style</u> 1-L: Yellow R: Green 2-L: Green R: Yellow	9 <u>Contact type</u> 1-Square pin	

<p>THIRD ANGLE PROJECTION</p>	<p>GENERAL TOLERANCES (UNLESS SPECIFIED)</p>		<p>APPROVE BY FRANK</p>	<p>DATE 10/APR/20</p>	<p>PART NO. FRJ45108-13XXK6KX100</p>	<p>ITEM NO. FRJ45108</p>	<p>Leader Of Industry</p>
	<p>DESIGN UNITS Metric</p>	<p>X. ±0.30</p>	<p>X.* ±5'</p>	<p>CHECKED BY CHERRY</p>	<p>DATE 10/APR/20</p>	<p>TITLE RJ45 Connector 8P8C 90° Angle</p>	
<p>SCALE 5:1</p>	<p>SIZE A4</p>	<p>X.XX ±0.15</p>	<p>X.XX' ±1'</p>	<p>DRAWN BY KATE</p>	<p>DATE 10/APR/20</p>	<p>THIS DRAWING CONTAINS INFORMATION THAT IS PROPRIETARY TO TXGA INDUSTRIAL ELECTRONICS(S.Z)CO.,LTD AND SHOULD NOT BE USED WITHOUT WRITTEN PERMISSION</p>	
		<p>X.XXX ±0.10</p>	<p>X.XXX' ±0.5'</p>			<p>REV 0</p>	<p>SHEET NO. 1/1</p>