

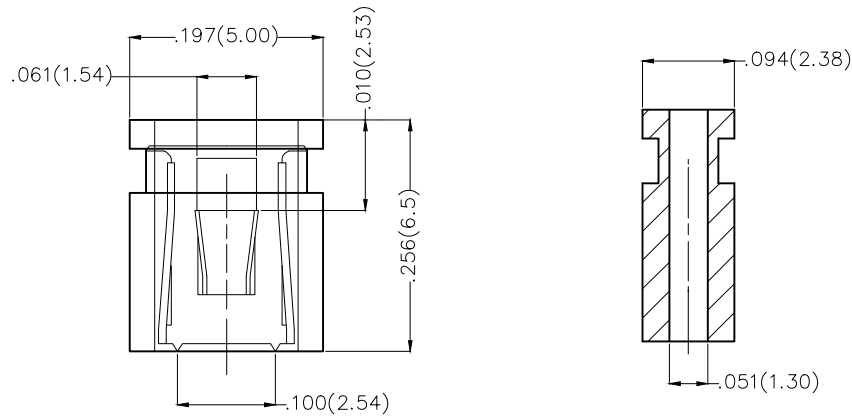
| REV | LOCATIONS | DESCRIPTION | DATE | REVISER | APPD |
|-----|-----------|-------------|------|---------|------|
| | | | | | |

Specifications

Current Rating: 3 Ampere
 Insulation Resistance: 1000M Ω Min.
 Withstanding Voltage: 1000V AC
 Contact Resistance: 20m Ω Max.
 Temperature Range—Operating: -40°C to +105°C

Materials

Housing: PBT UL 94V-0
 Terminal: Copper Alloy



| | | | | | | | | |
|-------------------------------|--|------------------------|---------------------|---------------------|-----------------------|--|------------------------|-------|
| THIRD ANGLE PROJECTION | GENERAL TOLERANCES (UNLESS SPECIFIED) | | APPROVE BY FRANK | DATE 26/JUN/13 | PART NO. FR-1YF-02 | ITEM NO. FR-1YF | Leader Of Industry | |
| | DESIGN UNITS Inch (metric) | X. \pm .012(0.30) | X. \pm 5' | CHECKED BY JACOB | DATE 26/JUN/13 | TITLE .100'(2.54mm) PITCH Conn (Close) | | REV 0 |
| SCALE 5:1 | SIZE A4 | X.XX \pm .006(0.15) | X.XX \pm 1' | DRAWN BY CHERRY | DATE 26/JUN/13 | THIS DRAWING CONTAINS INFORMATION THAT IS PROPRIETARY TO TXGA INDUSTRIAL ELECTRONICS(S.Z)CO.,LTD AND SHOULD NOT BE USED WITHOUT WRITTEN PERMISSION | | |
| | | X.XXX \pm .004(0.10) | X.XXX \pm 0.5' | | | | | |