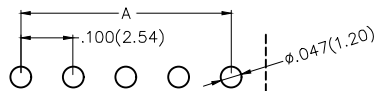
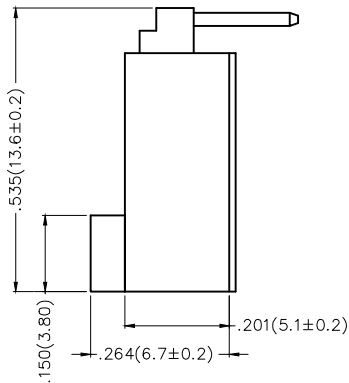
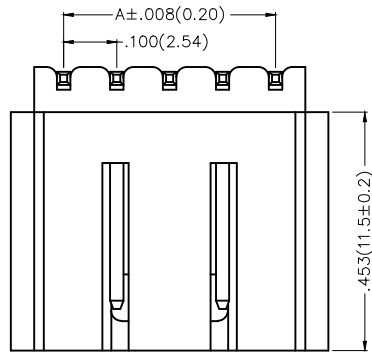
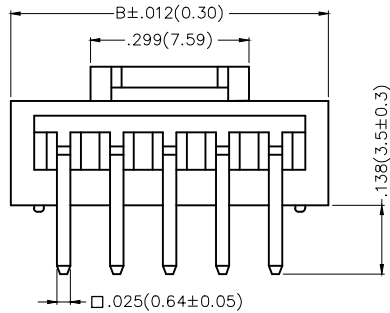


REV	LOCATIONS	DESCRIPTION	DATE	REVISER	APPD



Recommended P.C. Board Layout

Electrical

Current Rating: 2.5A AC(rms)/DC
Voltage Rating: 250V AC(rms)/DC
Contact Resistance: 20 mΩ Max
Insulation Resistance: 1000 MΩ MIN
Withstanding Voltage: 800V AC r.m.s
Temperature Range—Operating: -25°C~+85°C

Material and Plating


Housing: PBT(UL 94V-0)
Contact Pin: Brass
Plating: Gold Plated

Circuits (n)	Part No.	Dimensions(in/mm)	
		A	B
2	FWF25405-S02B12K6B	.100(2.54)	.299(7.59)
3	FWF25405-S03B12K6B	.200(5.08)	.399(10.13)
4	FWF25405-S04B12K6B	.300(7.62)	.499(12.67)
5	FWF25405-S05B12K6B	.400(10.16)	.599(15.21)
6	FWF25405-S06B12K6B	.500(12.70)	.699(17.75)
7	FWF25405-S07B12K6B	.600(15.24)	.799(20.29)
8	FWF25405-S08B12K6B	.700(17.78)	.899(22.83)
9	FWF25405-S09B12K6B	.800(20.32)	.999(25.37)
10	FWF25405-S10B12K6B	.900(22.86)	1.099(27.91)
11	FWF25405-S11B12K6B	1.000(25.40)	1.199(30.45)
12	FWF25405-S12B12K6B	1.100(27.94)	1.299(32.99)

Ordering Information

FWF 254 05 — S XX B 1 2 K6 B
1 2 3 4 5 6 7 8 9 10

1 <u>Category</u> FWF-Wafer	2 <u>Series Number</u> 254-Pitch2.54mm	3 <u>Distinction No.</u> 02	4 <u>Row Option</u> Single Row	5 <u>Circuits</u> XX	6 <u>Entry Angle</u> B-90° Angle
7 <u>Plating</u> 1-Gold Plated	8 <u>Material-Resin</u> 2-PBT	9 <u>Color-Resin</u> K6-Black	10 <u>Packaging</u> B-PE Bag		

THIRD ANGLE PROJECTION	GENERAL TOLERANCES (UNLESS SPECIFIED)		APPROVE BY FRANK	DATE 8/JUL/13	PART NO. FWF25405-SXXB12K6B	ITEM NO. FWF25405	 Leader Of Industry
	DESIGN UNITS Inch (metric)	X.±.012(0.30) X.±5°	CHECKED BY JACOB	DATE 8/JUL/13	TITLE Wire to Board (Wafer) Pitch 2.54mm 90° Angle (DIP)		
SCALE 5:1	SIZE A4	X.XX±.006(0.15) .XX±1°	DRAWN BY CHERRY	DATE 8/JUL/13	THIS DRAWING CONTAINS INFORMATION THAT IS PROPRIETARY TO TXGA INDUSTRIAL ELECTRONICS(S.Z)CO.,LTD AND SHOULD NOT BE USED WITHOUT WRITTEN PERMISSION		
		X.XXX±.004(0.10) .XXX±0.5°					