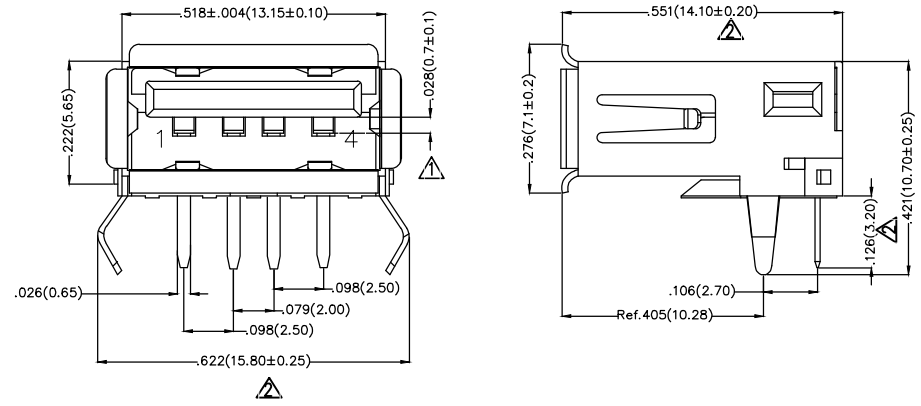


| REV | LOCATIONS | DESCRIPTION           | DATE        | REVISER | APPD   |
|-----|-----------|-----------------------|-------------|---------|--------|
| 1   | △         | Add dimension control | 25/JUL/18   | ANDY    | CHERRY |
| 2   | △         | Size Change           | 10/AUG/2020 | Cherry  | KATE   |



**Electrical**

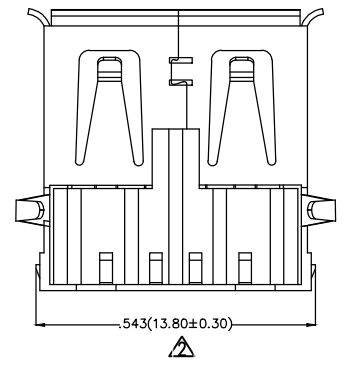
Current Rating: 1.5A AC(rms)/DC  
Voltage Rating: 30V AC(rms)/DC  
Contact Resistance: 30 mΩ Max  
Insulation Resistance: 1000 MΩ MIN  
Withstanding Voltage: 500V AC r.m.s  
Temperature Range-Operating: -40°C~+85°C

**Material and Plating**

Housing: Thermoplastic Polyesters ( UL 94V-0)  
Contact Pin: Phosphor Bronze  
Plating: Gold in contact area, Tin on tail.  
Shell: Copper Alloy/ Nickel plated

**Pinassignment:**

| Pins  | Signal name |
|-------|-------------|
| PIN 1 | VBUS        |
| PIN 2 | D-          |
| PIN 3 | D+          |
| PIN 4 | GND         |

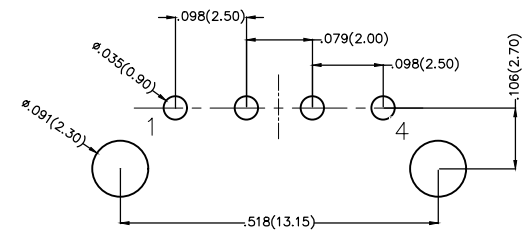


**Ordering Informaion**


FUS 2 02 - F D B XX K  
1 2 3 4 5 6 7 8

1 | Category | 2 | Series Number | 3 | Distinction No. | 4 | Type  
| FUS-USB | | 2-USB 2.0 | | 02 | | F-Female

5 | Assembly Layout | 6 | Entry Angle | 7 | Color-Resin | 8 | Packaging  
| D-DIP | | B-90° Angle | | K6-Black W3-White | | K-Tray



**Recommended P.C.Board Layout**  
Tolerances: ±.002(0.05)

| THIRD ANGLE PROJECTION        |        | GENERAL TOLERANCES (UNLESS SPECIFIED) |         | APPROVE BY | DATE      | PART NO.            | ITEM NO. | <br>Leader Of Industry |
|-------------------------------|--------|---------------------------------------|---------|------------|-----------|---------------------|----------|---|
| DESIGN UNITS<br>Inch (metric) | SCALE  | X.±.012(0.30)                         |         | FRANK      | 21/JUN/13 | FUS202-FDBXXK       | FUS202   |   |
|                               | SIZE   | X.X±.008(0.20)                        | .X'±5'  | CHECKED BY | DATE      | REV 2 SHEET NO. 1/1 |          |   |
|                               | 5:1 A4 | X.XX±.006(0.15)                       | .XX'±1" | JACOB      | 21/JUN/13 |                     |          |   |