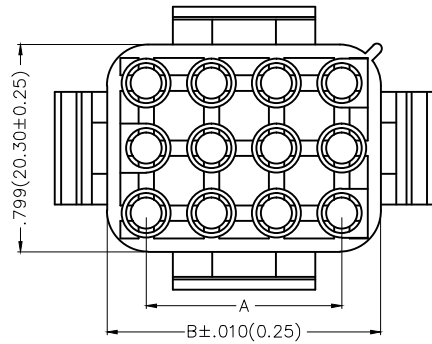
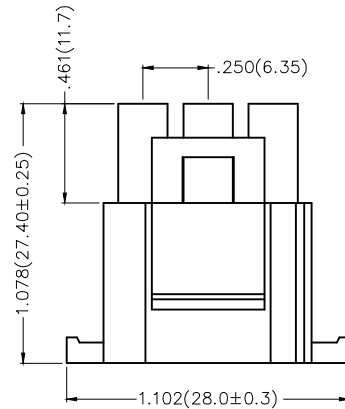
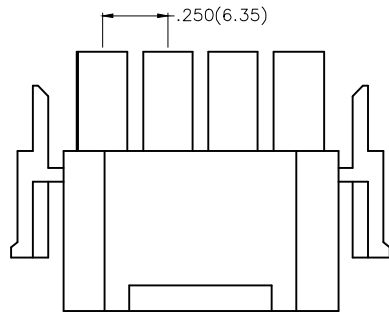


REV	LOCATIONS	DESCRIPTION	DATE	REVISER	APPD

Electrical
 Temperature Range—Operating: -25°C~+85°C
 Material
 Housing: PA66(UL 94V-0)
 Applicable Terminal: FT63502
 Mates With: FWF63503 Series.



Circuits (n)	Part No.	Dimensions(in/mm)	
		A	B
9	FHG63503-T09M2TB	.500(12.70)	.803(20.40)
12	FHG63503-T12M2TB	.750(19.05)	1.053(26.75)
15	FHG63503-T15M2TB	1.000(25.40)	1.303(33.10)



Ordering Information

FHG 635 03 — T XX M 2 T B
 1 2 3 4 5 6 7 8 9

1 Category FHG-Housing	2 Series Number 635-Pitch6.35mm	3 Distinction No. 03	4 Row Option T-Three Row	5 Circuits XX
6 Entry Type M-Male	7 Material-Resin 2-PA66	8 Color-Resin T-Transparent	9 Packaging B-PE Bag	

 THIRD ANGLE PROJECTION	GENERAL TOLERANCES (UNLESS SPECIFIED)		APPROVE BY FRANK	DATE 18/JUN/13	PART NO. FHG63503-TXXM2TB	ITEM NO. FHG63503	 Leader Of Industry	
	X.±.012(0.30)	X.'±5'	CHECKED BY JACOB	DATE 18/JUN/13	TITLE Wire to Board Pitch 6.35mm(Housing)			REV 0
	DESIGN UNITS Inch (metric)	X.X±.008(0.20)	X'±2'	DRAWN BY CHERRY	DATE 18/JUN/13	THIS DRAWING CONTAINS INFORMATION THAT IS PROPRIETARY TO TXGA INDUSTRIAL ELECTRONICS(S.Z)CO.,LTD AND SHOULD NOT BE USED WITHOUT WRITTEN PERMISSION		
	SCALE 5:1	SIZE A4	X.XX±.006(0.15)	X'±1'				