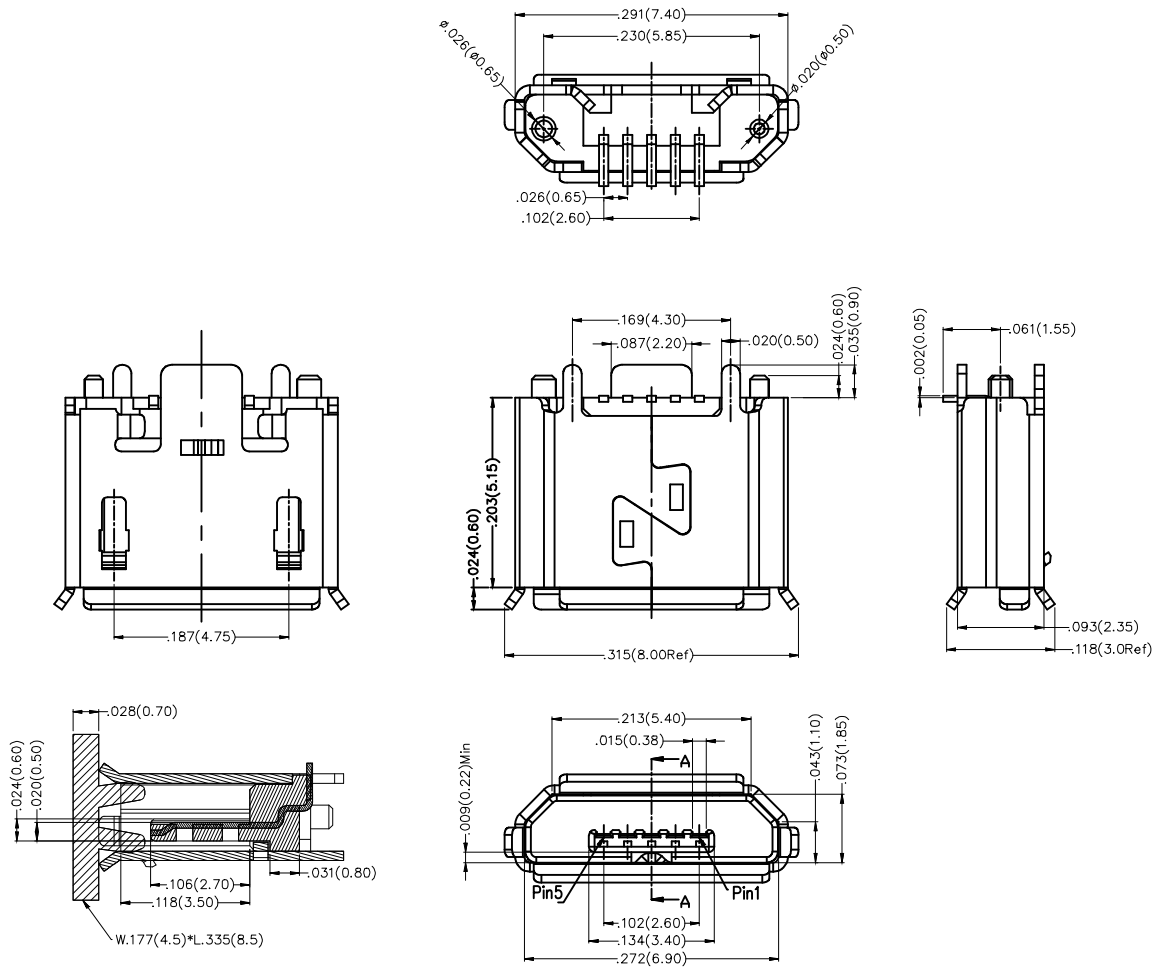


REV	LOCATIONS	DESCRIPTION	DATE	REVISOR	APPD

**SPECIFICATIONS**

**Electrical**  
 Current Rating: 0.5A(2,3,4Pin)/1.8A(1,5Pin) Max AC(rms)/DC  
 Voltage Rating: 30V AC(rms)/DC  
 Contact Resistance: 30 mΩ Max  
 Withstanding Voltage: 250V AC r.m.s  
 Insulation Resistance: 100 MΩ Min  
 Temperature Range-Operating: -30°C~+85°C

**Material And Plating**  
 Housing: Thermoplastic LCP UL94V-0, Black  
 Contact: Copper Alloy T=.006(0.15)  
 Gold Plated On Contact Area,  
 Tin Plated On Solder Tails  
 Shell: Stainless Steel T=.008(0.20)/Tin Plated



Recommended P.C.Board Layout  
 General Tolerances: ±0.05mm

 THIRD ANGLE PROJECTION DESIGN UNITS Inch (metric) SCALE 5:1	GENERAL TOLERANCES (UNLESS SPECIFIED)		APPROVE BY FRANK	DATE 18/JUN/13	PART NO. FUS439-FSSK6M	ITEM NO. FUS439	 Leader Of Industry	
	X.±.012(0.30)	X'.±5'	CHECKED BY CHERRY	DATE 18/JUN/13	TITLE Micro USB 5Circuits 180°Vertical Female(SMT)			REV 0
	X.XX±.006(0.15)	.XX'±1"	DRAWN BY KEVIN	DATE 18/JUN/13	THIS DRAWING CONTAINS INFORMATION THAT IS PROPRIETARY TO TXGA INDUSTRIAL ELECTRONICS(S,Z)CO.,LTD AND SHOULD NOT BE USED WITHOUT WRITTEN PERMISSION			
	X.XXX±.004(0.10)	.XXX'±0.5'						