

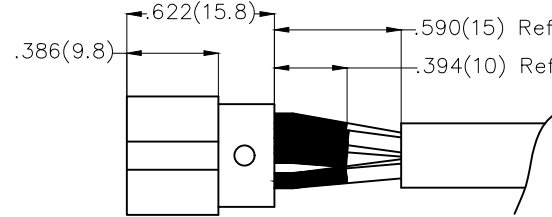
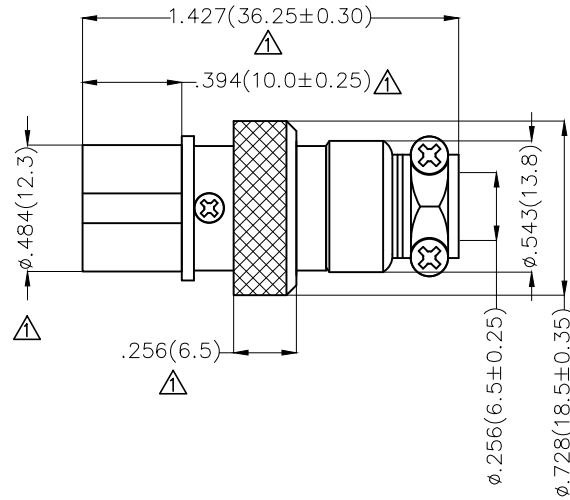
1 2 3 4 5 6 7 8

REV	LOCATIONS	DESCRIPTION	DATE	REVISER	APPD
1	△	Size change	20/MAR/20	KATE	CHERRY

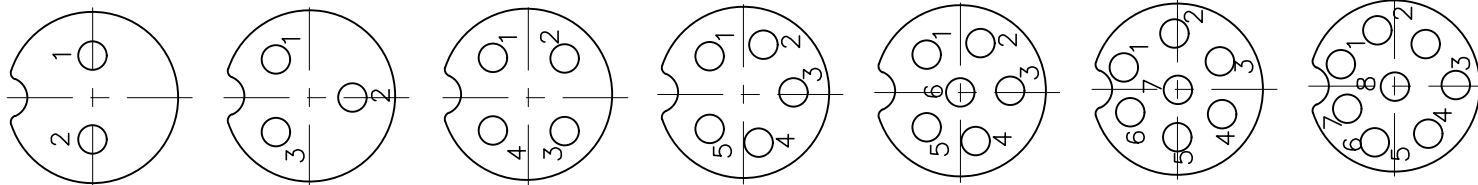
SPECIFICATIONS

Electrical

Current Rating: 5A AC(rms)/DC  
 Voltage Rating: 250V AC(rms)/DC  
 Contact Resistance: 5.0 mΩ Max  
 Insulation Resistance: 4000 MΩ Min  
 Withstanding Voltage: 1500V AC r.m.s  
 Temperature Range—Operating: -60°C~+85°C  
 Durability: 2,000 times



Recommended Welding size



<p>THIRD ANGLE PROJECTION</p>	GENERAL TOLERANCES (UNLESS SPECIFIED)		APPROVE BY FRANK	DATE 27/FEB/17	PART NO. FM16-XXMS001	ITEM NO. FM16-M	<p>Leader Of Industry</p>
	DESIGN UNITS Inch (metric)	X.X±.012(0.30)	X'.±5'	CHECKED BY CHERRY	DATE 27/FEB/17	TITLE Aviation Plug	
SCALE 5:1	SIZE A4	X.XX±.006(0.15)	.XX'±1'	DRAWN BY VERNON	DATE 27/FEB/17	THIS DRAWING CONTAINS INFORMATION THAT IS PROPRIETARY TO TXGA INDUSTRIAL ELECTRONICS(S.Z)CO.,LTD AND SHOULD NOT BE USED WITHOUT WRITTEN PERMISSION	
		X.XXX±.004(0.10)	.XXX'±0.5'			REV 1	SHEET NO. 1/1

1 2 3 4 5 6 7 8