

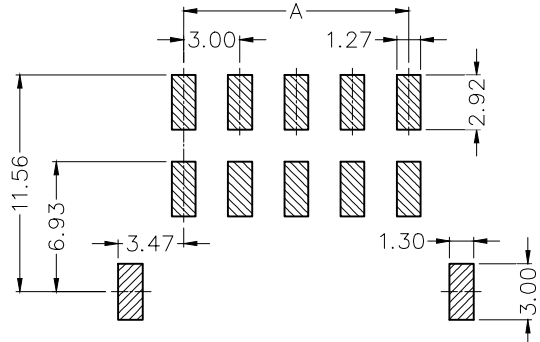
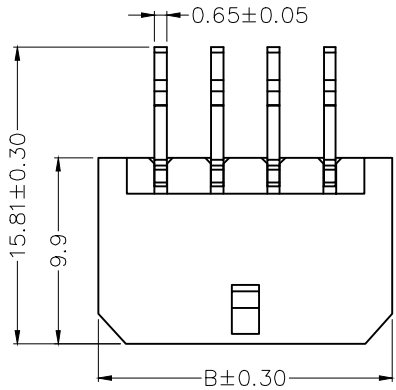
1 2 3 4 5 6 7 8

REV	LOCATIONS	DESCRIPTION	DATE	REVISER	APPD

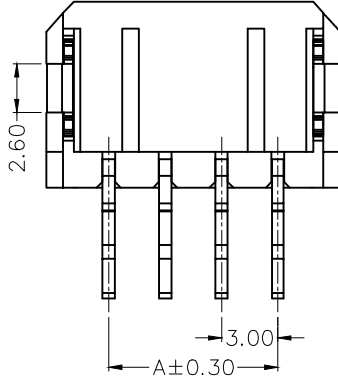
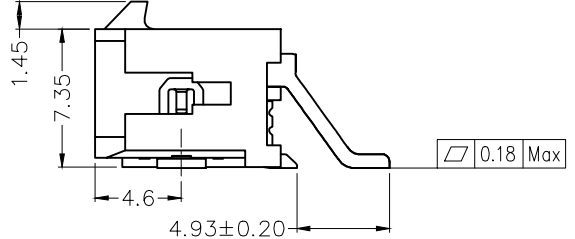
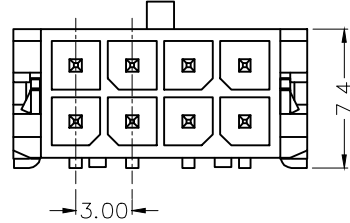
SPECIFICATIONS

Electrical
 Current Rating: 5.0A AC(rms)/DC
 Voltage Rating: 250V AC(rms)/DC
 Contact Resistance: 10 mΩ Max
 Insulation Resistance: 1000 MΩ Min
 Withstanding Voltage: 1500V AC r.m.s
 Temperature Range-Operating: -40°C~+105°C

Material and Plating
 Housing: PA9T (UL 94V-0), Natural
 Contact: Brass, Tin plated
 Solder tab: Brass, Tin plated



Recommended P.C.Board Layout
 Tolerances: ±0.05



Ordering Information

FWF 300 24 — D XX B 2 3 BK M
 1 2 3 4 5 6 7 8 9 10

1 Category FWF-Wafer	2 Series Number 300-Pitch3.00mm	3 Distinction No. 24	4 Row Option D-Double row	5 Circuits XX
6 Entry Angle B-90° Angle	7 Plating 2-Tin Plated	8 Material-Resin 3-LCP	9 Color-Resin BK-Black	10 Packaging M-Reel

<p>THIRD ANGLE PROJECTION</p>	GENERAL TOLERANCES (UNLESS SPECIFIED)		APPROVE BY FRANK	DATE 29/JUL/20	PART NO. FWF30024-DXXB23BKM	ITEM NO. FWF30024	<p>Leader Of Industry</p>	
	DESIGN UNITS Metric	X. ±0.30 X.X ±0.20 X.XX ±0.15 X.XXX ±0.10	X.* ±5' X.X' ±2' X.XX' ±1' X.XXX' ±0.5'	CHECKED BY CHERRY	DATE 29/JUL/20	TITLE Wire to Board (Wafer) Pitch 3mm 90° Angle (SMT)		REV 0
SCALE 5:1	SIZE A4	DRAWN BY KATE		DATE 29/JUL/20	THIS DRAWING CONTAINS INFORMATION THAT IS PROPRIETARY TO TXGA INDUSTRIAL ELECTRONICS(S.Z)CO.,LTD AND SHOULD NOT BE USED WITHOUT WRITTEN PERMISSION			

1 2 3 4 5 6 7 8

1 2 3 4 5 6 7 8

REV	LOCATIONS	DESCRIPTION	DATE	REVISER	APPD

A

B

C

D

E

F

A

B



C

D

E

F

Circuits (n)	Part No.	Dimensions(in/mm)	
		A	B
2	FWF30024-D02B23BKM	-	6.65
4	FWF30024-D04B23BKM	3.00	9.65
6	FWF30024-D06B23BKM	6.00	12.65
8	FWF30024-D08B23BKM	9.00	15.65
10	FWF30024-D10B23BKM	12.00	18.65
12	FWF30024-D12B23BKM	15.00	21.65
14	FWF30024-D14B23BKM	18.00	24.65
16	FWF30024-D16B23BKM	21.00	27.65
18	FWF30024-D18B23BKM	24.00	30.65
20	FWF30024-D20B23BKM	27.00	33.65
22	FWF30024-D22B23BKM	30.00	36.65
24	FWF30024-D24B23BKM	33.00	39.65

 THIRD ANGLE PROJECTION	GENERAL TOLERANCES (UNLESS SPECIFIED)		APPROVE BY FRANK	DATE 29/JUL/20	PART NO. FWF30024-DXXB23BKM	ITEM NO. FWF30024	 Leader Of Industry	
	X. ±0.30	X.* ±5'	CHECKED BY CHERRY	DATE 29/JUL/20	TITLE Wire to Board (Wafer) Pitch 3mm 90° Angle (SMT)			REV 0
	DESIGN UNITS Metric	X.X ±0.20	X.X' ±2'	DRAWN BY KATE	DATE 29/JUL/20	THIS DRAWING CONTAINS INFORMATION THAT IS PROPRIETARY TO TXGA INDUSTRIAL ELECTRONICS(S.Z)CO.,LTD AND SHOULD NOT BE USED WITHOUT WRITTEN PERMISSION		
SCALE 5:1	SIZE A4	X.XX ±0.15	X.XX' ±1'					
		X.XXX ±0.10	X.XXX' ±0.5'					

1 2 3 4 5 6 7 8