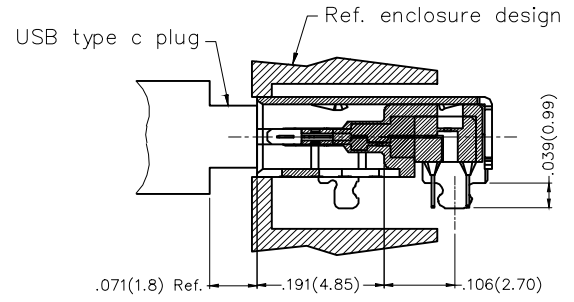
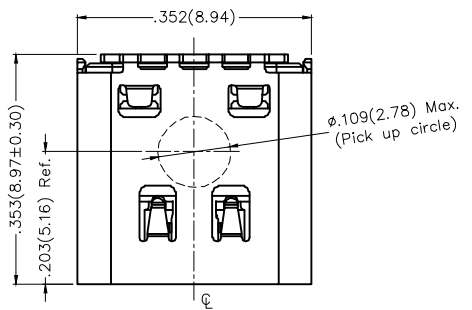


REV	LOCATIONS	DESCRIPTION	DATE	REVISER	APPD



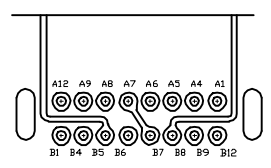
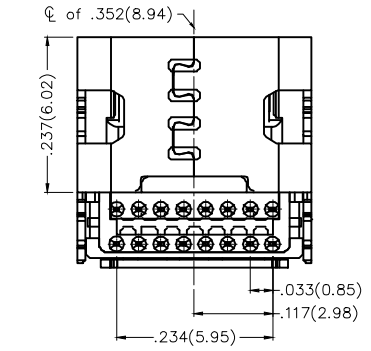
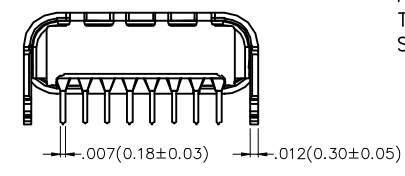
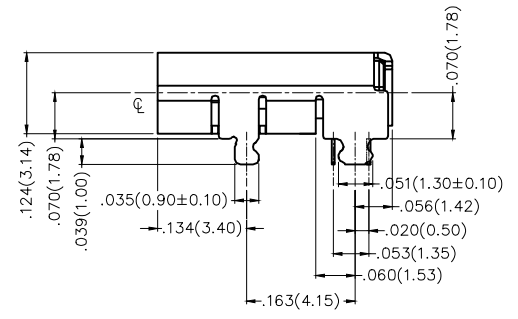
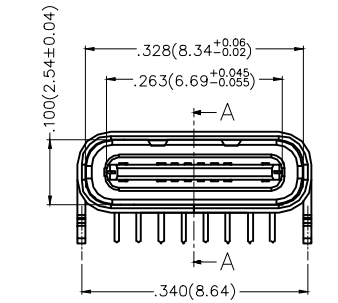
Section A-A

SPECIFICATIONS

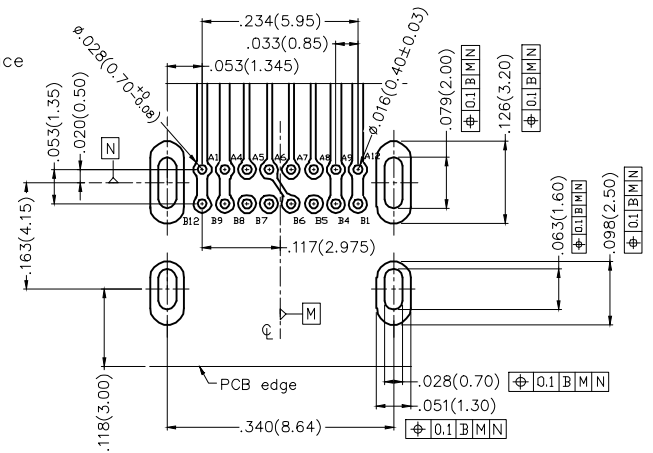
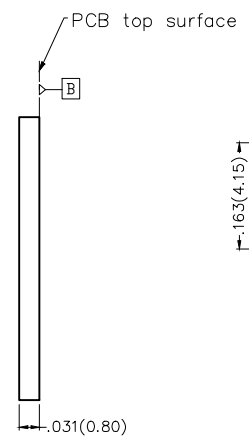
Electrical
 Current Rating: 5A AC(rms)/DC (VBUS)
 1.25A AC(rms)/DC (Others)
 Voltage Rating: 20V AC(rms)/DC
 Contact Resistance: 50 mΩ Max
 Withstanding Voltage: 100V AC r.m.s
 Insulation Resistance: 100 MΩ Min
 Temperature Range-Operating: -30°C~+85°C

Mechanical
 Insertion Force: 5~20N
 Withdrawal Force: 8~20N(0~1,000 cycles)
 5~20N(1,000~10,000 cycles)
 Durability: 10,000 cycles

Material and Plating
 Housing: LCP (UL 94V-0) Black
 Terminal: Copper alloy/ 1μ" Gold plated in contact area, tin on tail
 Shell: Stainless steel/ Nickel plated



PCB bottom surface



Recommended P.C.Board Layout

General Tolerances: ±0.05mm

Circuits	A	Circuits	B
A1	GND	B12	GND
A4	VBUS	B9	VBUS
A5	CC1	B8	SBU2
A6	DP1	B7	DN2
A7	DN1	B6	DP2
A8	SBU1	B5	CC2
A9	VBUS	B4	VBUS
A12	GND	B1	GND

THIRD ANGLE PROJECTION		GENERAL TOLERANCES (UNLESS SPECIFIED)		APPROVE BY	DATE	PART NO.	ITEM NO.
DESIGN UNITS	Inch (metric)	X.±.012(0.30)	X'±5'	FRANK	06/MAR/18	FUS621-FDBK6M	FUS621
SCALE	SIZE	X.X±.008(0.20)	X'±2'	CHECKED BY	DATE	TITLE	
5:1	A4	X.XX±.006(0.15)	X'±1'	CHERRY	06/MAR/18	USB C-type	
		X.XXX±.004(0.10)	X'±0.5'	DRAWN BY	DATE	90° Angle Female(DIP)(3.1)	
				KATE	06/MAR/18	THIS DRAWING CONTAINS INFORMATION THAT IS PROPRIETARY TO TXGA INDUSTRIAL ELECTRONICS(S.Z)CO.,LTD AND SHOULD NOT BE USED WITHOUT WRITTEN PERMISSION	



REV 0 SHEET NO. 1/1