

REV	LOCATIONS	DESCRIPTION	DATE	REVISER	APPD

SPECIFICATIONS

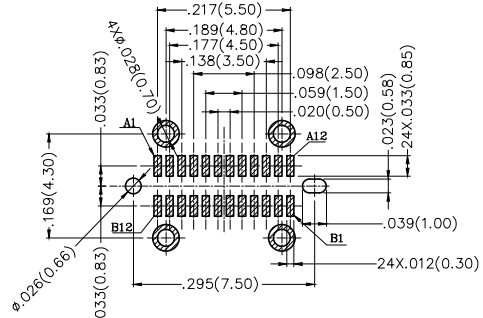
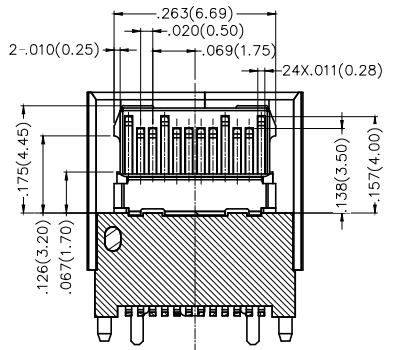
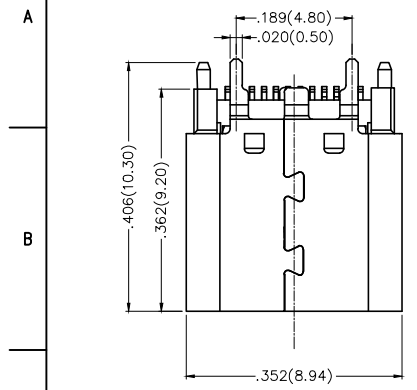
Electrical
 Current Rating: 3.0A AC(rms)/DC
 Voltage Rating: 100V AC(rms)/DC
 Contact Resistance: 40 mΩ Max
 Withstanding Voltage: 500V AC r.m.s
 Insulation Resistance: 100 MΩ Min
 Temperature Range-Operating: -30°C~+85°C

Mechanical
 Insertion Force: 5~20N
 Withdrawal Force: 8~20N
 Durability: 10,000 Cycles

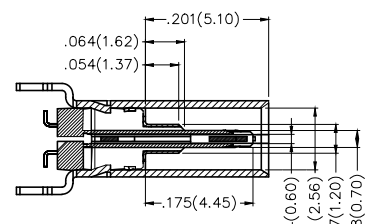
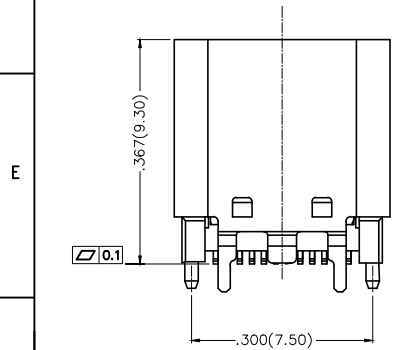
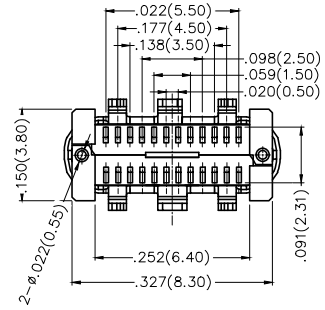
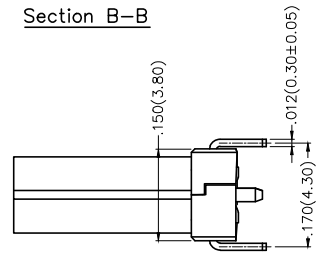
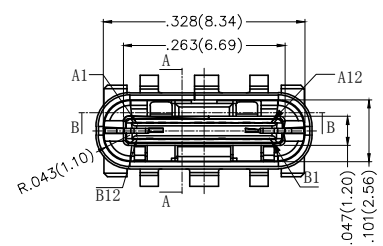
Material and Plating
 Housing: Thermoplastic (UL 94V-0) Black
 Terminal: Copper alloy/ Gold plated
 Shell: Stainless steel/ Nickel Plated

Recommended P.C.Board Layout
 General Tolerances: ±0.05mm

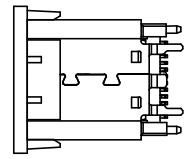
Circuits	A	Circuits	B
1	GND	12	GND
2	SSTXP1	11	SSRXP1
3	SSTXN1	10	SSRXN1
4	VBUS	9	SBU2
5	CC1	8	SBU2
6	DP1	7	DN2
7	DN1	6	DP2
8	SBU1	5	CC2
9	VBUS	4	VBUS
10	SSRXN2	3	SSTXN2
11	SSRXP2	2	SSTXP2
12	GND	1	GND



Section B-B



Section A-A



With Cap

 THIRD ANGLE PROJECTION	GENERAL TOLERANCES (UNLESS SPECIFIED)		APPROVE BY	DATE	PART NO.	ITEM NO.	 Leader Of Industry
	X.X±.012(0.30)	X'.±5'	FRANK	21/APR/17	FUS607-FSSK6M	FUS607	
	X.X±.008(0.20)	.X'±2'	CHECKED BY	DATE	TITLE		
	X.XX±.006(0.15)	.XX'±1'	CHERRY	21/APR/17	USB C-type 180° Vertical Female(SMT)(3.1)		
SCALE	SIZE	X.XXX±.004(0.10)	.XX'±0.5'	DRAWN BY	DATE	THIS DRAWING CONTAINS INFORMATION THAT IS PROPRIETARY TO TXGA INDUSTRIAL ELECTRONICS(S.Z)CO.,LTD AND SHOULD NOT BE USED WITHOUT WRITTEN PERMISSION	
5:1	A4	LXF		LXF	21/APR/17	REV 0	SHEET NO. 1/1