

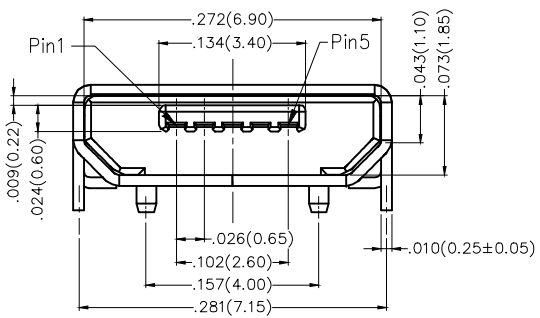
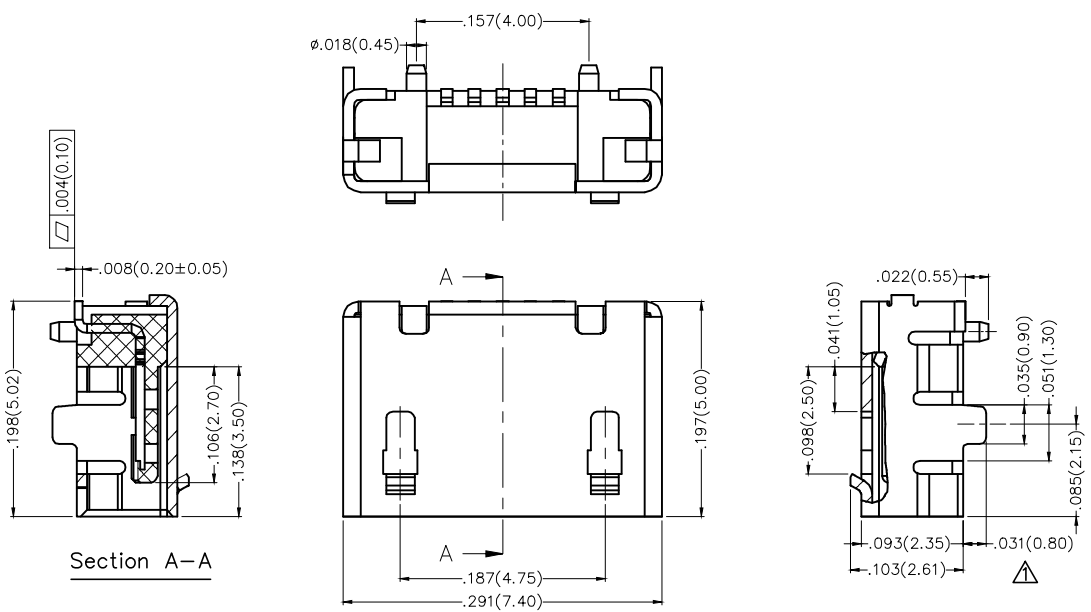
REV	LOCATIONS	DESCRIPTION	DATE	REVISER	APPD
1		Dimension change	18/MAR/20	KATE	CHERRY

SPECIFICATIONS

Electrical
 Current Rating: 1A Max AC(rms)/DC
 Voltage Rating: 30V AC(rms)/DC
 Contact Resistance: 50 mΩ Max
 Withstanding Voltage: 100V AC r.m.s
 Insulation Resistance: 100 MΩ Min
 Temperature Range-Operating: -30°C~+80°C

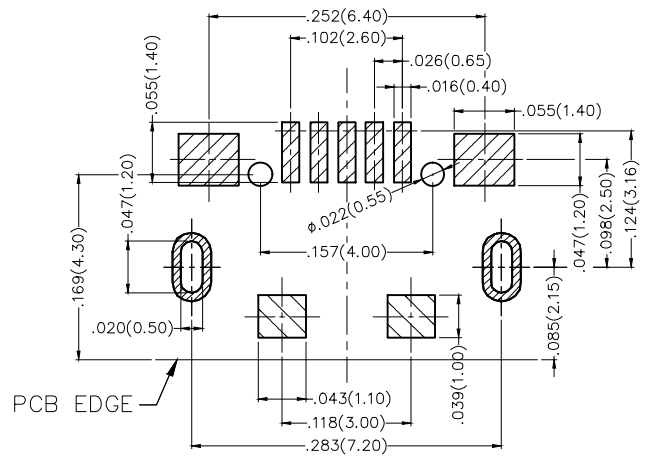
Mechanical
 Insertion Force: 3.57kgf Max
 Withdrawal Force: 1.0kgf Min

Material And Plating
 Housing: Thermoplastic (UL94V-0), Black
 Contact: Copper Alloy /Gold Plated
 Shell: Copper Alloy /Tin Plated

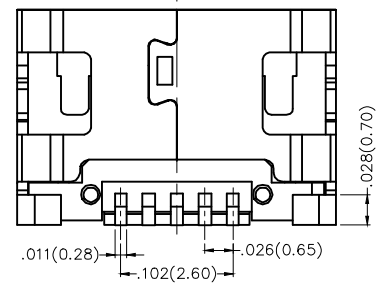


Pinassignment:

Pins	1	2	3	4	5
Signal name	VBUS	D-	D+	ID	GND



Recommended P.C.Board Layout
 General Tolerances: ±0.05mm



	GENERAL TOLERANCES (UNLESS SPECIFIED)		APPROVE BY	DATE	PART NO.	ITEM NO.	
	X.±.012(0.30)	X.±5'	FRANK	13/FEB/18	FUS466-FSBK6M	FUS466	
DESIGN UNITS	X.X±.008(0.20)	X.±2'	CHECKED BY	DATE	TITLE		REV 1
Inch (metric)	X.XX±.006(0.15)	.XX±1'	CHERRY	13/FEB/18	Micro USB 5Circuits 90°Angle Female(SMT)		
SCALE	X.XXX±.004(0.10)	.XXX±0.5'	DRAWN BY	DATE	THIS DRAWING CONTAINS INFORMATION THAT IS PROPRIETARY TO TXGA INDUSTRIAL ELECTRONICS(S.Z)CO.,LTD AND SHOULD NOT BE USED WITHOUT WRITTEN PERMISSION		
5:1			KATE	13/FEB/18			