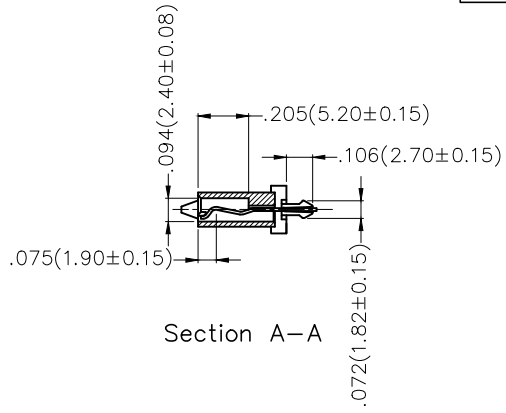
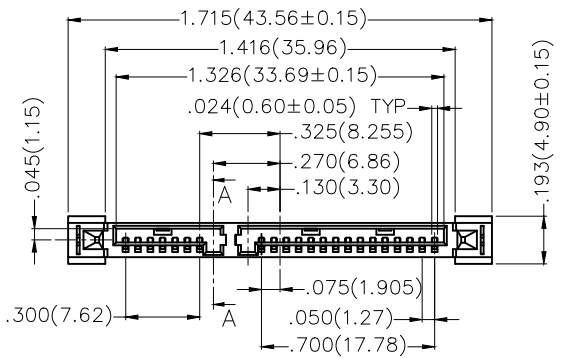


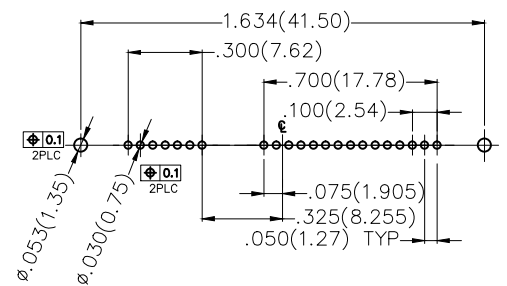
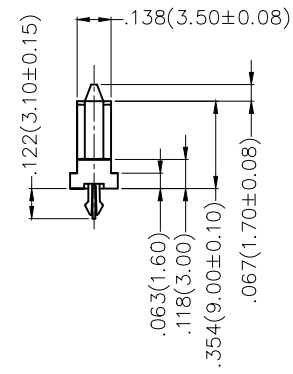
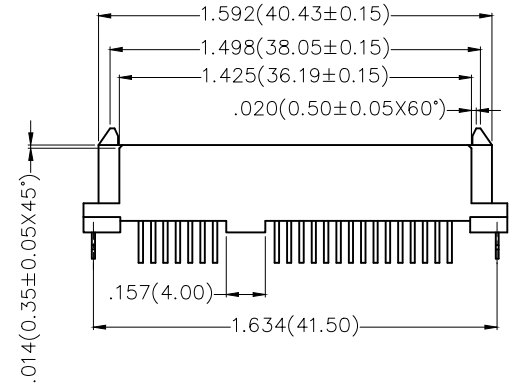
REV	LOCATIONS	DESCRIPTION	DATE	REVISER	APPD



**SPECIFICATIONS**

**Electrical**  
 Current Rating: 1.0A AC(rms)/DC  
 Contact Resistance: 20 mΩ Max  
 Insulation Resistance: 800 MΩ MIN  
 Withstanding Voltage: 600V AC r.m.s  
 Operating Temperature: -40°C ~ +85°C

**Material and Plating**  
 Housing: LCP ( UL 94V-0) Black  
 Contact: Phosphor Bronze/Selective gold in Contact area, tin on tail.  
 PEG: Brass/Tin Plated




**Recommended P.C.Board Layout**  
 Tolerances: ±0.02(0.05)

**Ordering Information**

FST 22 11 - F D S 3 XX 3 K6 X  
 1 2 3 4 5 6 7 8 9 10 11

1 Category FST-SATA	2 Circuits 22- 7+15Circuits	3 Distinction No. 11	4 Type F-Female	5 Assembly Layout D-DIP	6 Entry Angle S-180° Vertical
7 Plating 3-Selective gold in contact area, tin on tail	8 Thickness of Plating 00-Gold Flash 03-3μ" Custom plate available	9 Material-Resin 3-LCP	10 Color-Resin K6-Black	11 Packaging L-Tube K-Tray	

THIRD ANGLE PROJECTION	GENERAL TOLERANCES (UNLESS SPECIFIED)		APPROVE BY FRANK	DATE 21/JUL/17	PART NO. FST2211-FDS3XX3K6X	ITEM NO. FST2211	 Leader Of Industry
	DESIGN UNITS Inch (metric)	X.±.012(0.30) X.±5'	CHECKED BY CHERRY	DATE 21/JUL/17	TITLE SATA Connector 7+15 Circuits Female (DIP)		
SCALE 5:1	SIZE A4	X.XX±.006(0.15) .XX±1'	DRAWN BY LXF	DATE 21/JUL/17	THIS DRAWING CONTAINS INFORMATION THAT IS PROPRIETARY TO TXGA INDUSTRIAL ELECTRONICS(S.Z)CO.,LTD AND SHOULD NOT BE USED WITHOUT WRITTEN PERMISSION		