

REV	LOCATIONS	DESCRIPTION	DATE	REVISOR	APPD
1	△	Part No.: Change FRJ45122 into FRJ45033	31/MAY/18	KATE	ERIC
2	△	Size Change	03/AUG/20	CHERRY	KATE

SPECIFICATIONS

Electrical

Current Rating: 1.5A AC(rms)/DC
Voltage Rating: 125V AC(rms)/DC
Contact Resistance: 30 mΩ Max
Insulation Resistance: 500 MΩ Min / DC 500V
Withstanding Voltage: 1000V AC r.m.s
Operating Temperature: -40°C~+85°C

Material and Plating

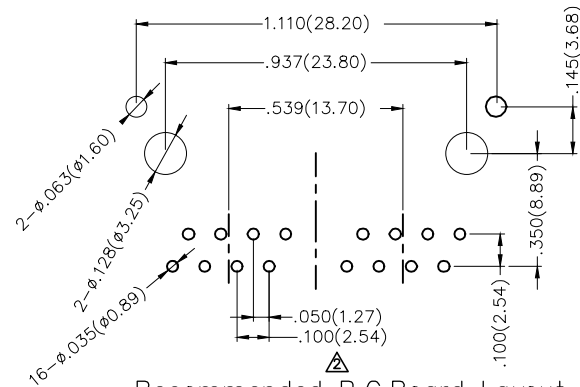
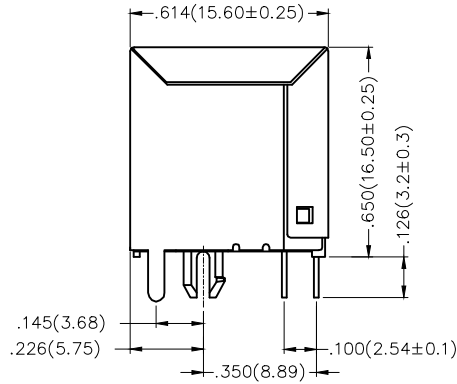
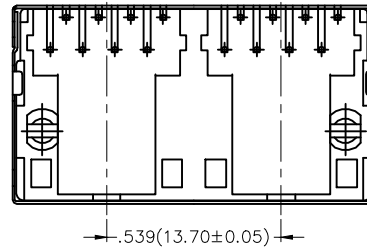
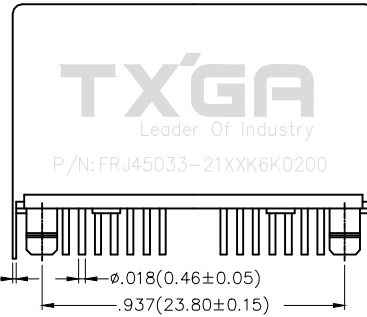
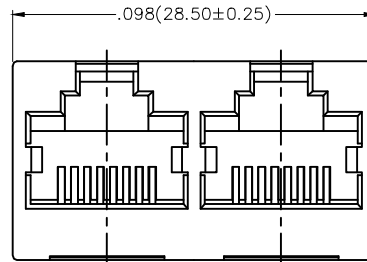
Housing: PBT (UL 94V-0), Black
Contact: Phosphor Bronze/ Gold Plated
Shell: Brass/ Nickel Plated

Ordering Information

FRJ45 033 — 2 1 XX K6 K 0 2 0 0
1 2 3 4 5 6 7 8

1	Category FRJ45-RJ45 Connector	2	Distinction No. 033	3	Ports options 2-2 Ports	4	Plating 1-Gold Plated	5	Thickness of plating 00-Gold flash 03-3μ" Custom plate available
6	Color-Resin K6-Black	7	Packaging K-Tray	8	Contact type 2-Round pin				

 THIRD ANGLE PROJECTION	GENERAL TOLERANCES (UNLESS SPECIFIED)		APPROVE BY FRANK	DATE 18/JUN/13	PART NO. △ FRJ45033-21XXK6K0200	ITEM NO. FRJ45033	 Leader Of Industry
	DESIGN UNITS Inch (metric)	X.±.012(0.30) X.X±.008(0.20) X.XX±.006(0.15) X.XXX±.004(0.10)	X'.±5" .X'±2" .XX'±1" .XXX'±0.5"	CHECKED BY KEVIN	DATE 18/JUN/13	TITLE RJ45 Connector 8P8C 180° Vertical	
SCALE 5:1	SIZE A4		DRAWN BY CHERRY	DATE 18/JUN/13	THIS DRAWING CONTAINS INFORMATION THAT IS PROPRIETARY TO TXGA INDUSTRIAL ELECTRONICS(S.Z)CO.,LTD AND SHOULD NOT BE USED WITHOUT WRITTEN PERMISSION		



Recommended P.C.Board Layout
Tolerances: ±.002(±0.05)